

PRODUCT NUMBER

10112620-106LF

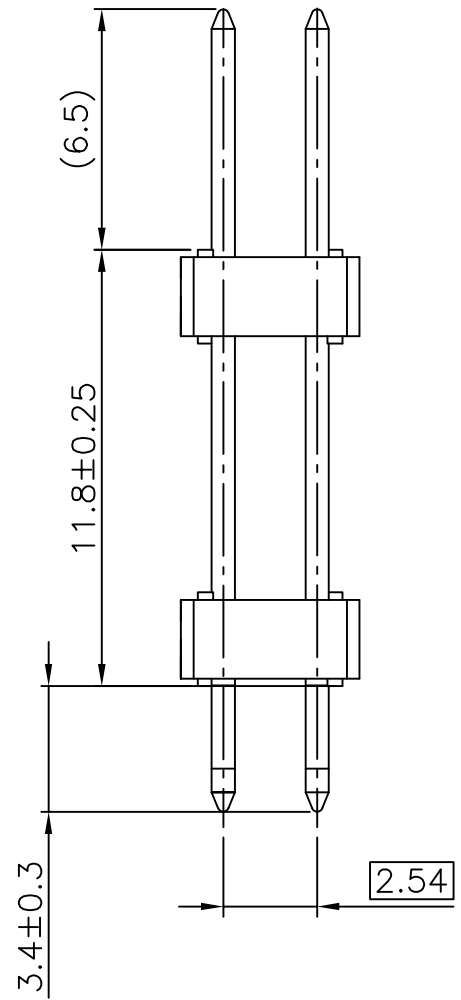
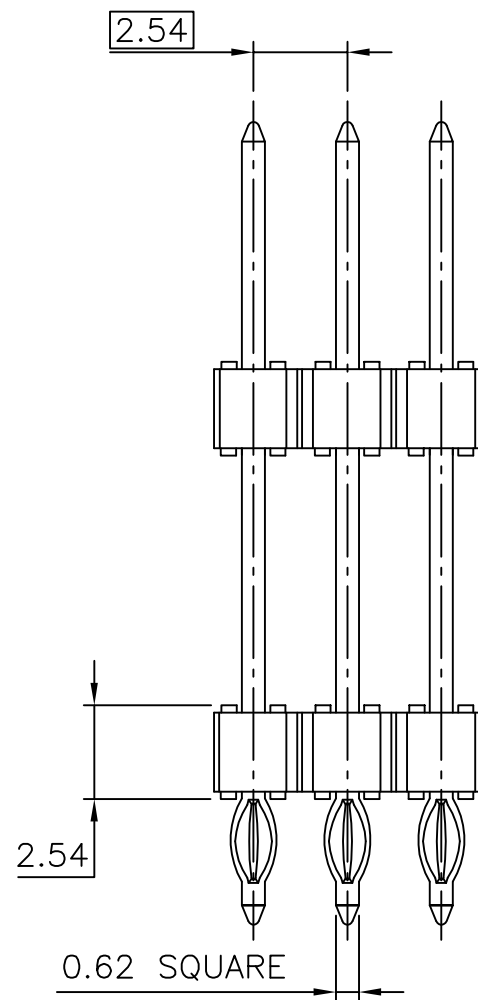
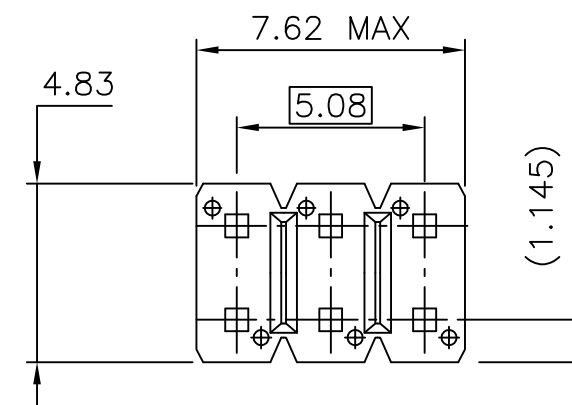
PLATING

GOLD FLASH ON CONTACT SIDE, 1.0µm TIN MIN ON PRESS FIT TAIL AREA

1.27µm NICKEL MIN UNDERLAYER

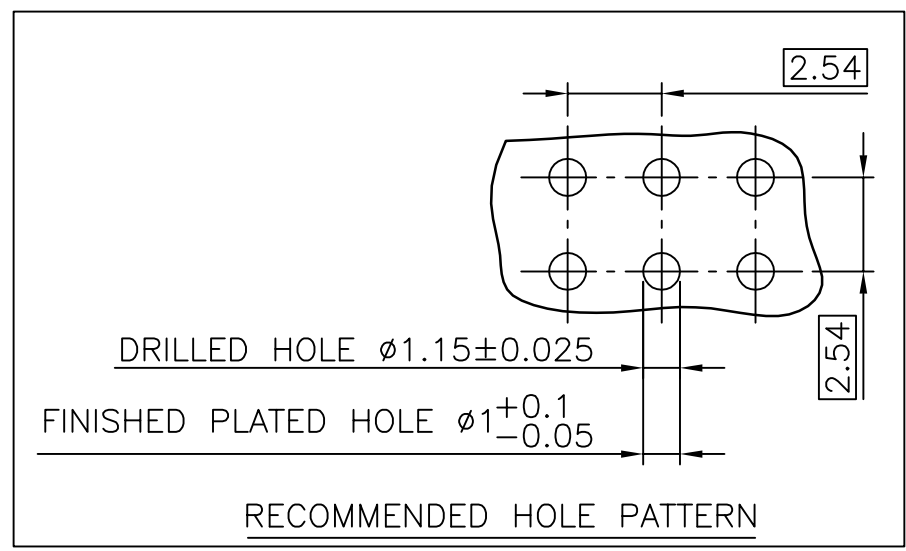
LEAD FREE OPTION SEE NOTE 5

TOTAL NB OF POS



NOTES:

- 1 - HOUSING MAT'L : HIGH TEMPERATURE THERMOPLASTIC. UL94V-0 COLOR: BLACK
- 2 - PIN MATERIAL : COPPER ALLOY
- 3 - 9N MIN RETENTION IN EITHER DIRECTION
- 4 - PACKAGING POLYBAGS
- 5 - "LF" MEANS THAT THE PRODUCT IS RoHS COMPLIANT THEN MEETS EUROPEAN UNION DIRECTIVES AND OTHER COUNTRY REGULATION AS DESCRIBED IN GS-22-008



mat'l. code SEE NOTE		surface ISO 1302 ✓	tolerance ISO 406 ISO 1101	projection mm	product family BSTIK
ltr	ecn no	dr	date	tolerances unless otherwise specified	title
A	F10-001	JCO	10.02.16	angles linear .x ±0.30 .xx ±0.15 xxx ±0.05	PRESS FIT DR 2X3 STACKING HEADER
sheet index		revision sheet	dr MULIN.L 10.02.03	engr COMPAGNON J 10.02.03	dwg no 10112620 sheet 1 of 1 size A3
			chr	appd JM.C 10.02.03	type CUSTOMER Drawing



Copyright FCI