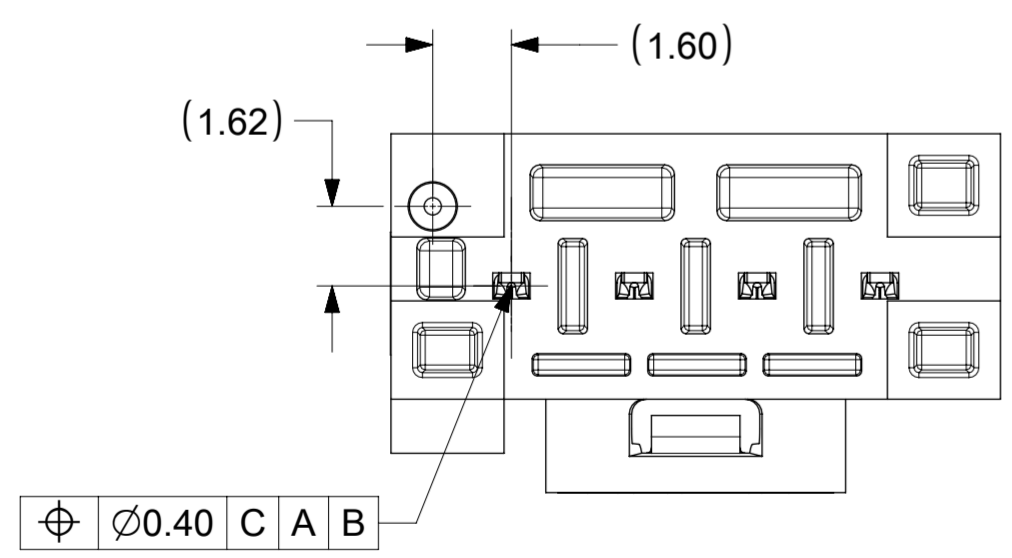
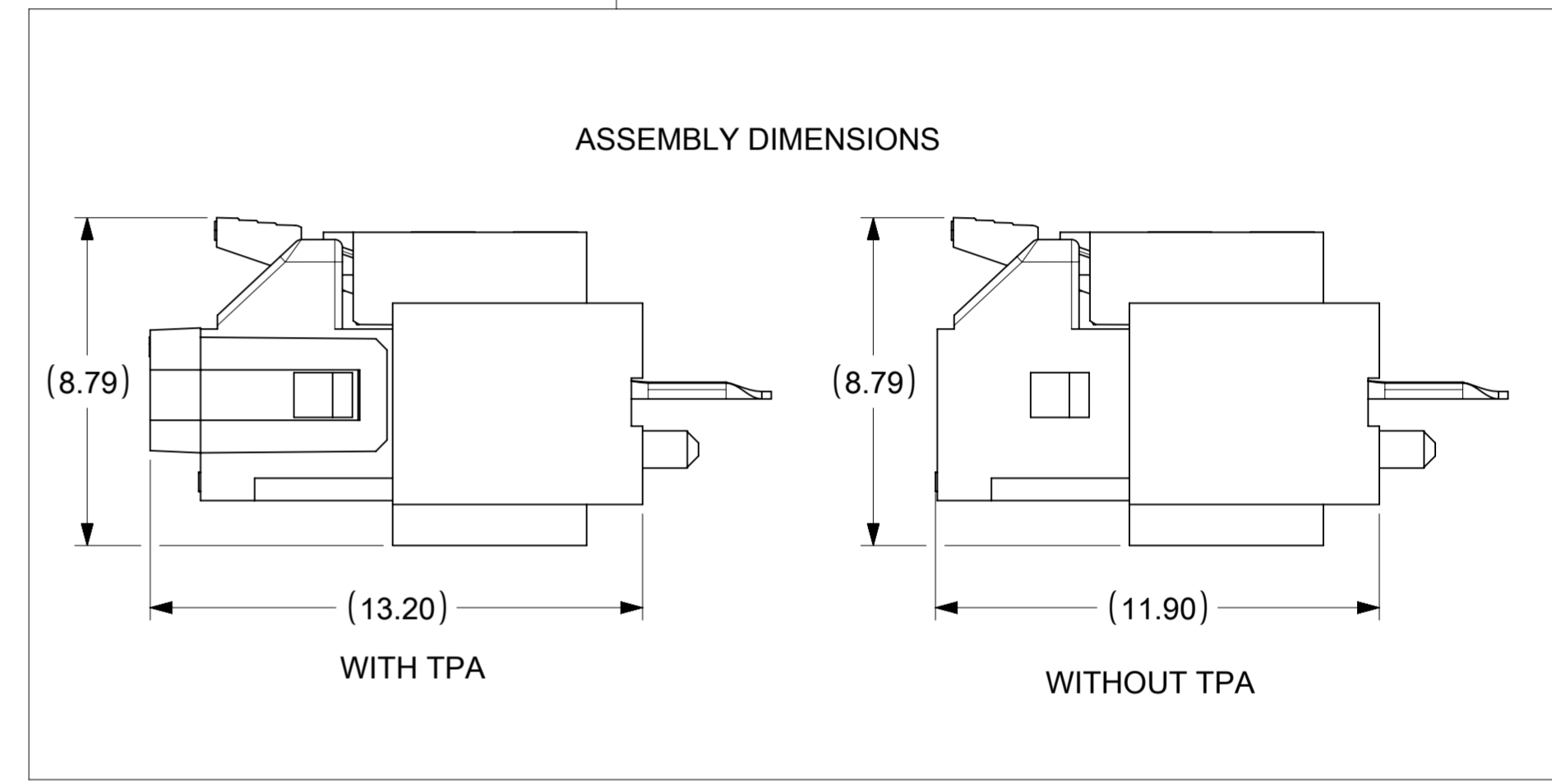
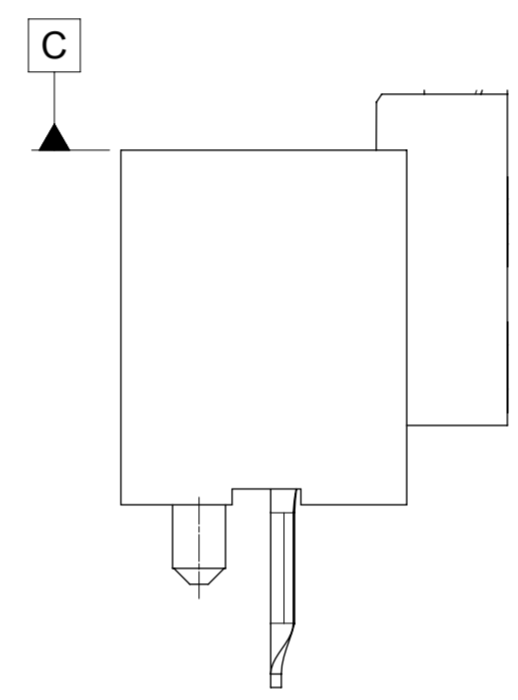
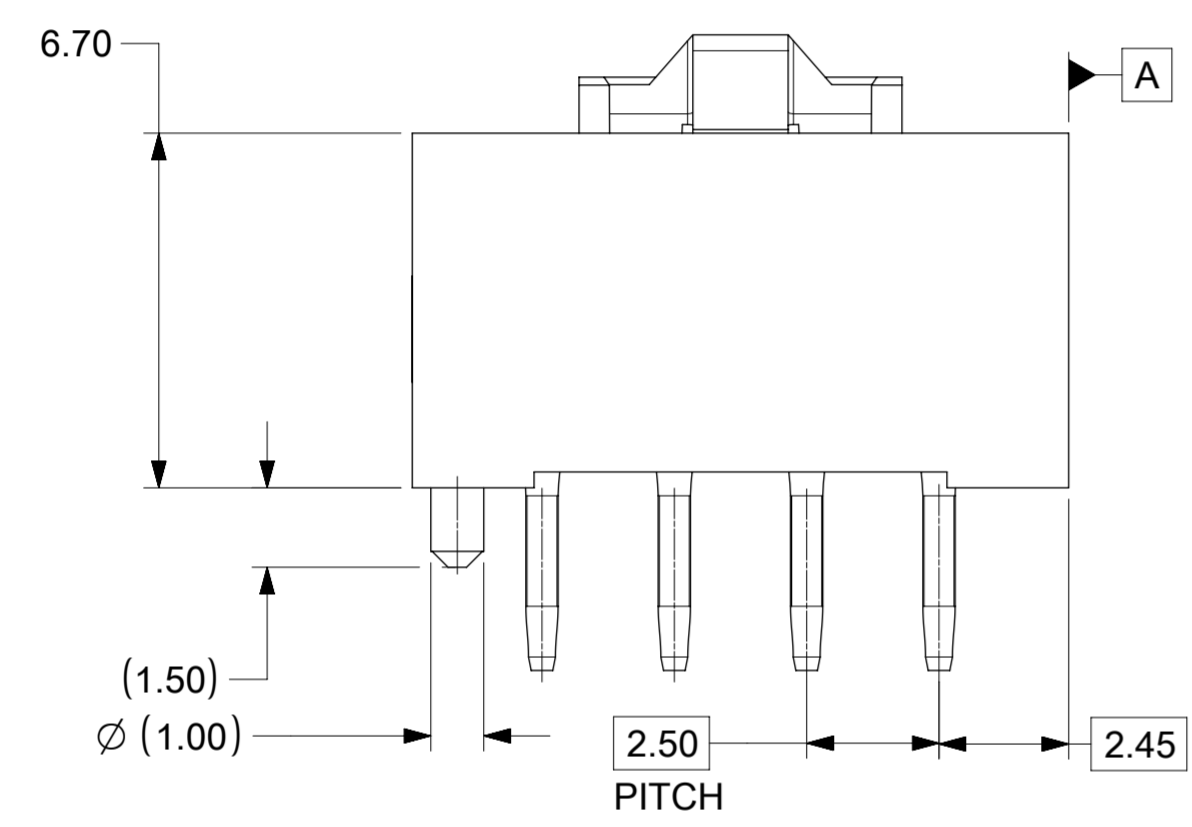


ISOMETRIC VIEW FOR  
4 CKT HEADER ASSEMBLY



- NOTES:  
 1. MATERIAL:  
 a. HOUSING: LIQUID CRYSTAL POLYMER, RATED UL 94V-0, COLOUR - BLACK  
 b. TERMINAL: BRASS ALLOY PLATING: TIN OVER NICKEL OVERALL.  
 2. PRODUCT SPECIFICATION: 2079020001-PS  
 3. PACKAGING SPECIFICATION: 2078430000-PK  
 4. COSMETIC SPECIFICATION: PS-45499-002 CLASS B

CKT SIZE	HEADER ASSEMBLY P/N	DIM. B
2	2078430002	8.00
3	2078430003	9.90
4	2078430004	12.40
5	2078430005	14.90
6	2078430006	17.40
7	2078430007	19.90
8	2078430008	22.40

SYMBOLS	THIS DRAWING CONTAINS INFORMATION THAT IS PROPRIETARY TO MOLEX ELECTRONIC TECHNOLOGIES, LLC AND SHOULD NOT BE USED WITHOUT WRITTEN PERMISSION		
	DIMENSION UNITS	SCALE	CURRENT REV DESC:
▽ = 0	mm	6:1	EC NO: 706742 DRWN: SHRUTJ 2022/04/20 CHK'D: SHRUTJ 2022/05/13 APPR: ISHWARG 2022/05/13 INITIAL REVISION: DRWN: SUDAYGUNAGI 2018/06/19 APPR: ISHWARG 2019/04/16
▽ = 0	GENERAL TOLERANCES (UNLESS SPECIFIED)		
▽ = 0	ANGULAR TOL ± °		
▽ = 0	4 PLACES ±		
▽ = 0	3 PLACES ±		PRODUCT CUSTOMER DRAWING DOCUMENT NUMBER: 2078430004-SD DOC TYPE: PSD DOC PART: 000 REVISION: A5
▽ = 0	2 PLACES ± 0.25		
▽ = 0	1 PLACE ± 0.3		MATERIAL NUMBER: 207843 CUSTOMER:
▽ = 0	0 PLACES ±		
▽ = 0	DRAFT WHERE APPLICABLE MUST REMAIN WITHIN DIMENSIONS	THIRD ANGLE PROJECTION	DRAWING: A2-SIZE SERIES: 207843 SHEET NUMBER: 1 OF 2



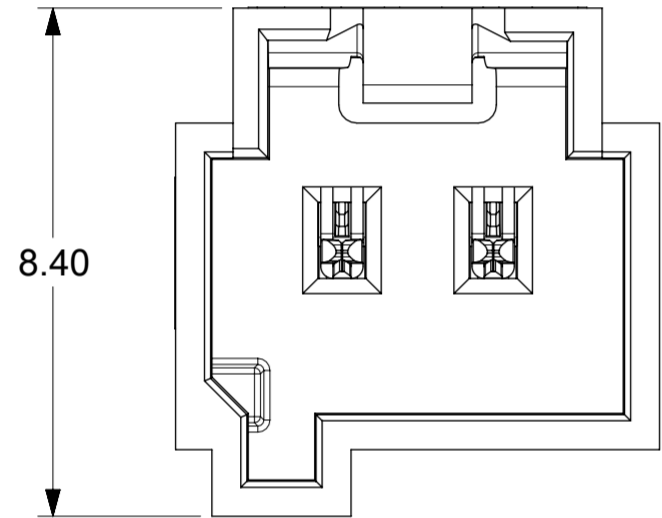
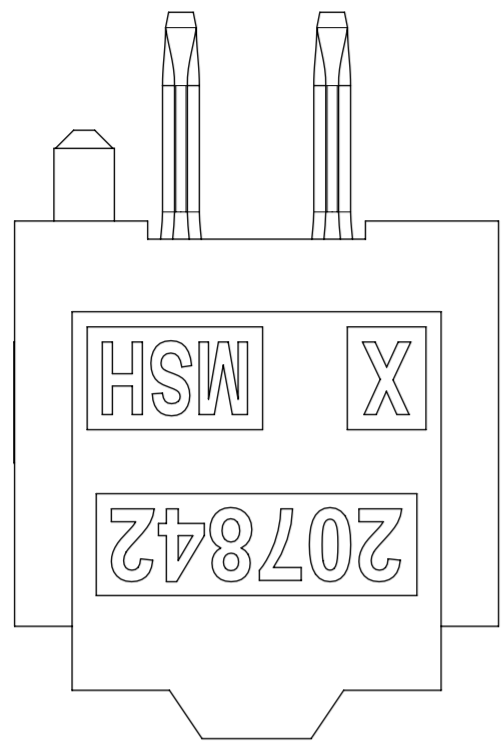
HEADER ASSEMBLY FOR KK PLUS 250

PRODUCT CUSTOMER DRAWING

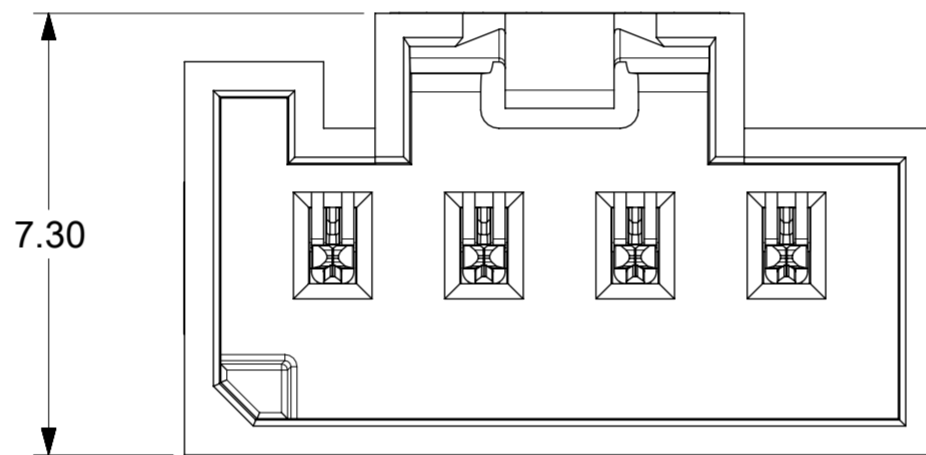
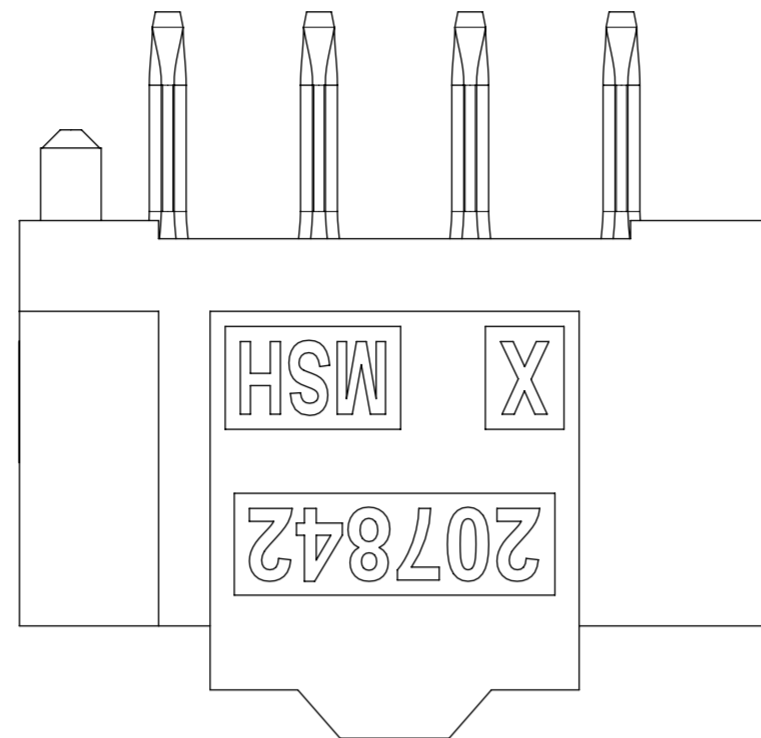
DOCUMENT NUMBER: 2078430004-SD  
 DOC TYPE: PSD  
 DOC PART: 000  
 REVISION: A5

POLARIZATION

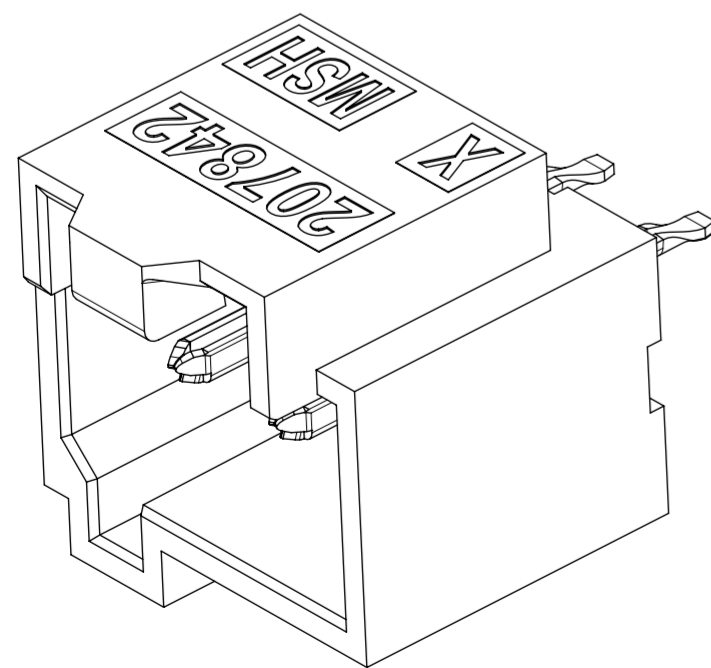
2 & 3CKT



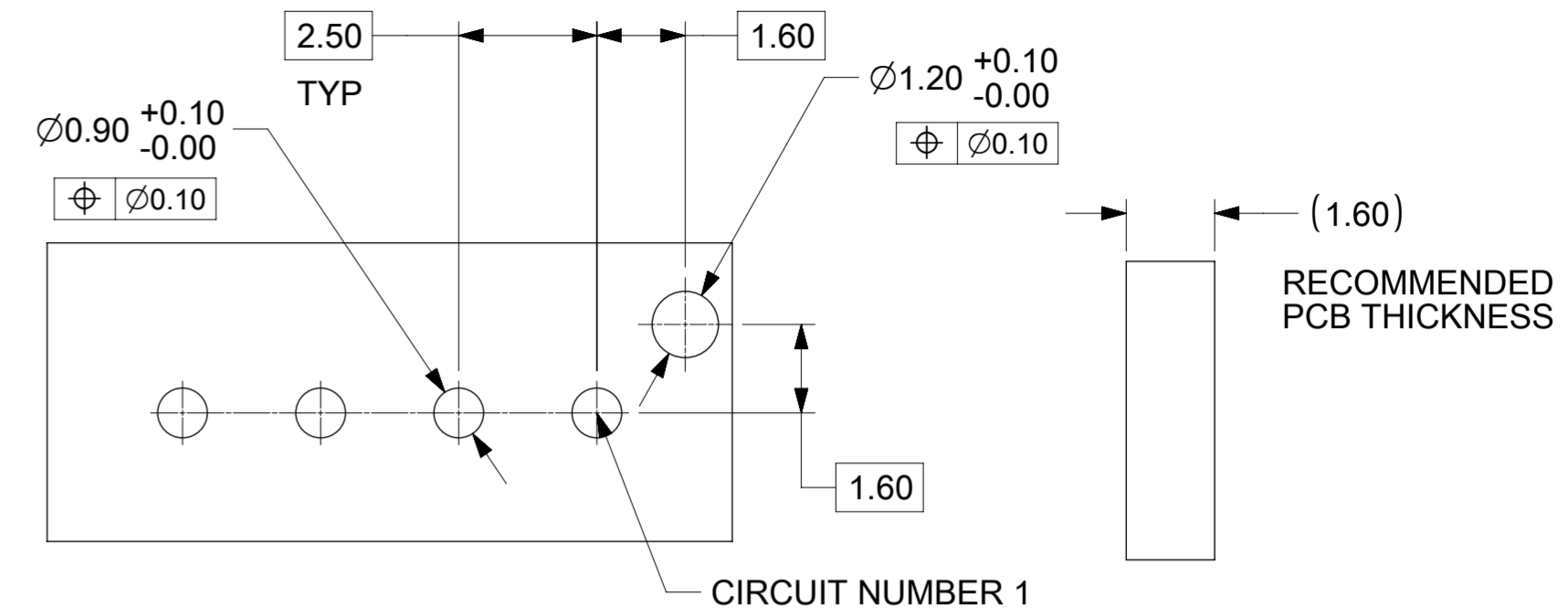
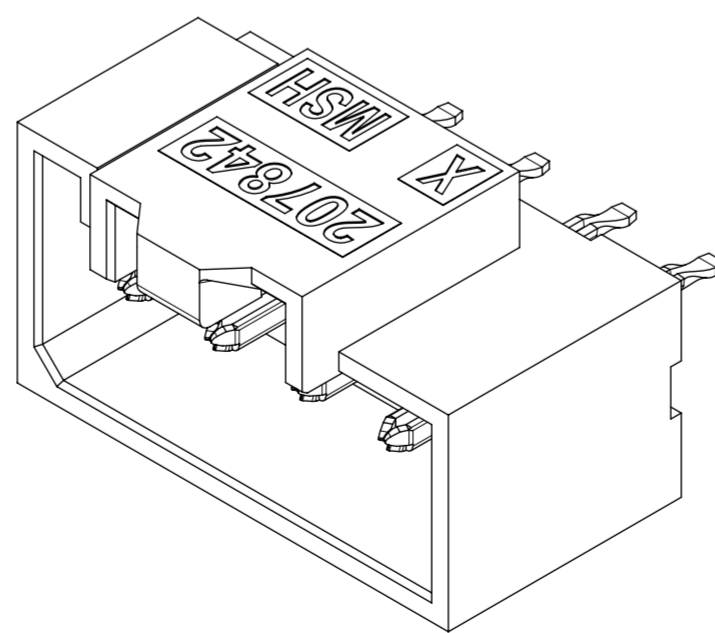
4 CKT TO 10 CKT



ISOMETRIC VIEW FOR 2 & 3CKT



ISOMETRIC VIEW FOR 4 CKT TO 10 CKT



PCB LAYOUT FOR 4CKT HEADER ASSEMBLY  
PCB LAYOUT VIEWED FROM THE MATING SIDE

DOCUMENT STATUS	P1	RELEASE DATE	2022/05/13	14:35:39
-----------------	----	--------------	------------	----------

SYMBOLS				THIS DRAWING CONTAINS INFORMATION THAT IS PROPRIETARY TO MOLEX ELECTRONIC TECHNOLOGIES, LLC AND SHOULD NOT BE USED WITHOUT WRITTEN PERMISSION			
▽ = 0	△ = 0	▽ = 0	▽ = 0	▽ = 0	▽ = 0	▽ = 0	▽ = 0
DIMENSION UNITS		SCALE		CURRENT REV DESC:			
mm		8:1		EC NO: 706742			
GENERAL TOLERANCES (UNLESS SPECIFIED)				DRWN: SHRUTJ 2022/04/20			
ANGULAR TOL ± °				CHK'D: SHRUTJ 2022/05/13			
4 PLACES ±				APPR: ISHWARG 2022/05/13			
3 PLACES ±				INITIAL REVISION:			
2 PLACES ± 0.25				DRWN: SUDAYGUNAGI 2018/06/19			
1 PLACE ± 0.3				APPR: ISHWARG 2019/04/16			
0 PLACES ±				DRAFT WHERE APPLICABLE MUST REMAIN WITHIN DIMENSIONS		THIRD ANGLE PROJECTION	
DRAWING		SERIES		MATERIAL NUMBER		CUSTOMER	
A2-SIZE		207843		2078430004-SD		PSD 000	
DOCUMENT NUMBER				DOC TYPE		DOC PART	
2078430004-SD				PSD		000	
REVISION				SHEET NUMBER			
A5				2 OF 2			



HEADER ASSEMBLY FOR KK PLUS 250

PRODUCT CUSTOMER DRAWING

A