

4

3

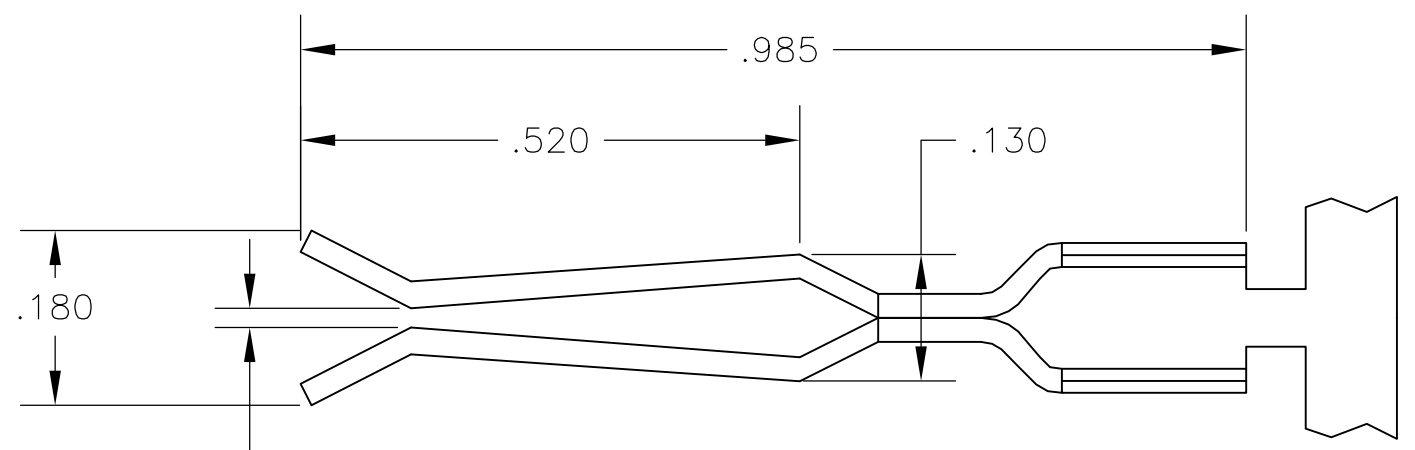
2

1

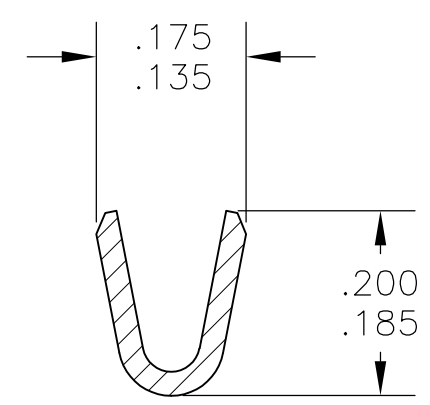
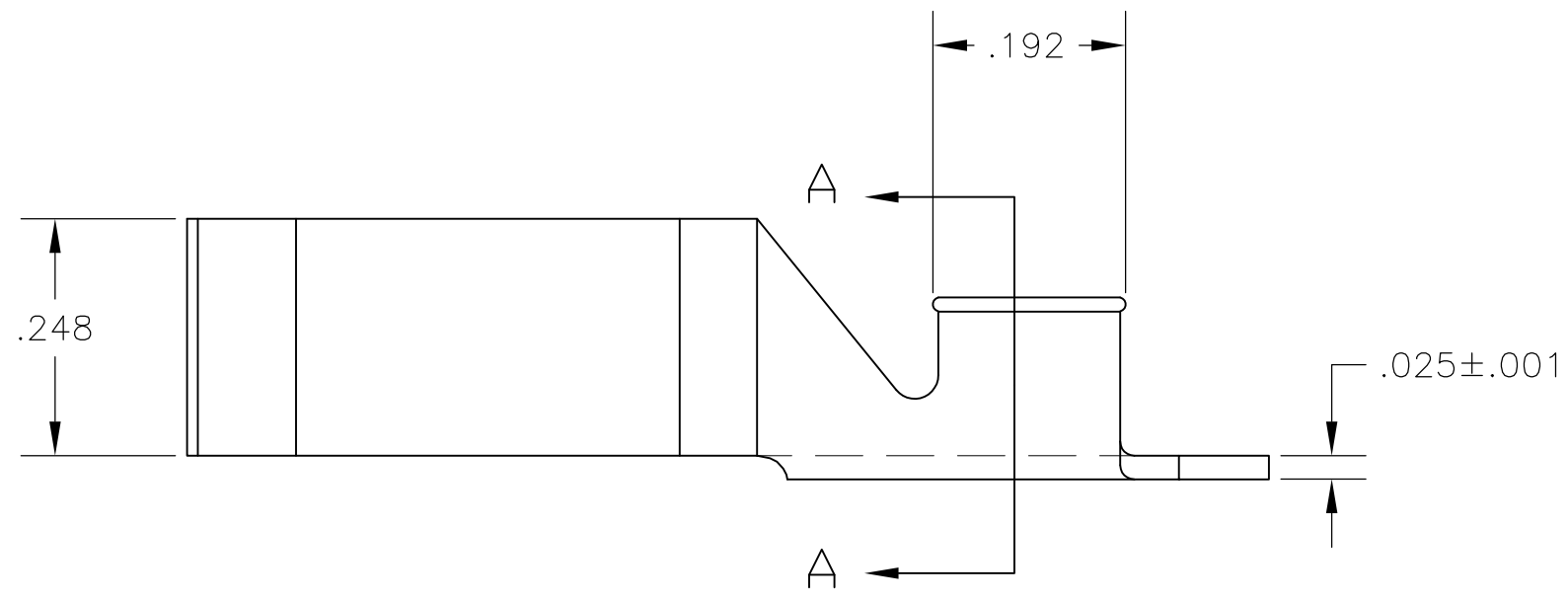
THIS DRAWING IS UNPUBLISHED. RELEASED FOR PUBLICATION
 © COPYRIGHT - By - ALL RIGHTS RESERVED.

LOC	DIST	REVISIONS			
P	LTR	DESCRIPTION	DATE	DWN	APVD
AF	50	L	REVISED PER ECR-12-013445	18OCT12	KH PD

- 1 CONTINUOUS STRIP ON REELS
- 2 WIRE SIZE IS #18-#14 AWG



FITS .060 X .250
TAB



SECTION
A-A

OBSOLETE	— TIN —	60312-2-
	---	60312-1
	FINISH	PART NO

THIS DRAWING IS A CONTROLLED DOCUMENT.		DWN jr_ruth 20JAN09	TE Connectivity				
DIMENSIONS: INCHES 		CHK PETE_DESANTIS 20JAN09				NAME RECEPTACLE, .250 TAB	
TOLERANCES UNLESS OTHERWISE SPECIFIED: 0 PLC ± - 1 PLC ± - 2 PLC ± - 3 PLC ± .015 4 PLC ± - ANGLES ± 5°		APVD PETE_DESANTIS 20JAN09	PRODUCT SPEC ---				
MATERIAL BRASS		FINISH SEE TABLE	APPLICATION SPEC ---	SIZE A3	CAGE CODE 00779	DRAWING NO C-60312	RESTRICTED TO ---
CUSTOMER DRAWING			WEIGHT -	SCALE 5:1	SHEET 1 OF 1	REV L	