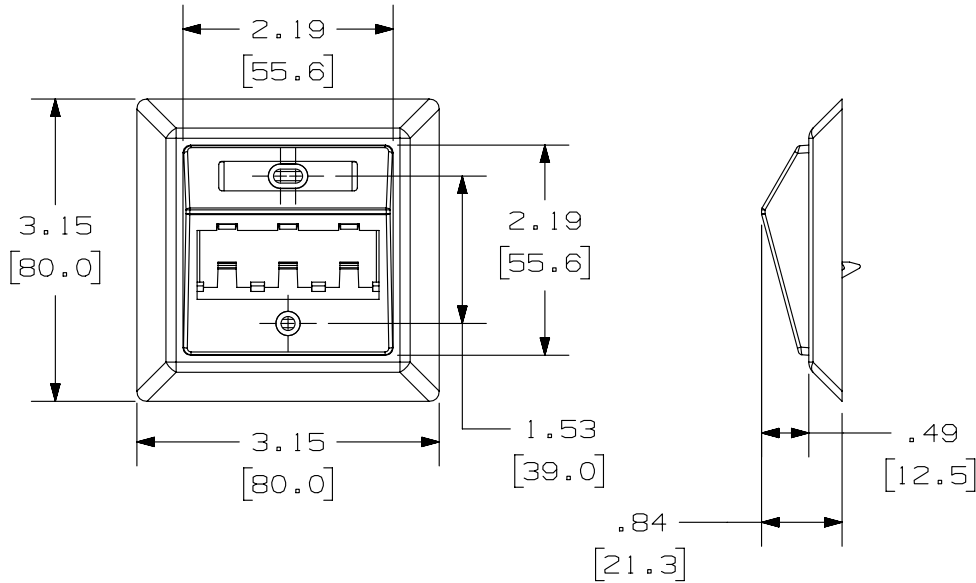


THIS COPY IS PROVIDED ON A RESTRICTED BASIS AND IS NOT TO BE USED IN ANY WAY DETRIMENTAL TO THE INTERESTS OF PANDUIT CORP.

PANDUIT P/N	WEIGHT
CS2P6TG**Y	4.12 LB/10 PCS. (1869.3 g/10 PCS.)



NOTES:

- SEE CURRENT CATALOG FOR ADDITIONAL PART NUMBER SUFFIXES TO INDICATE COLOR AND OR PACKAGE QUANTITY.
- SEE CATALOG FOR COMPLETE LIST OF PARTS APPLICABLE FOR USE WITH THIS PART.
- DIMENSIONS IN [ ] ARE IN METRIC.
- KIT INCLUDES:
  - 1- METAL MOUNTING PLATE
  - 1- SCREW
  - 1- LABEL/COVER
  - 1- CHES3\*\*Y FACEPLATE
  - 1- FCFP\*\* BEZEL
  - 2- MINI-COM TX6 PLUS SHIELDED JACK MODULE- CJS688TGY
  - 1- MINI-COM BLANK MODULE

PART NUMBER		CS2P6TG**Y	
TITLE			
MINI-COM 3 POSITION SLOPED GERMAN FACEPLATE KIT WITH 2 CAT 6 SHIELDED MODULES AND 1 BLANK MODULE			
CUSTOMER DRAWING			
ITEM REVISION NAME		M02479G0/00	
DATASET FILE NAME		M02479G0_DC173/00B	
UNLESS OTHERWISE SPECIFIED, DIMENSIONAL TOLERANCES ARE: IN [ mm ]		MATERIAL:	
.x ± .1 [ 2.54 ] .xxx ± .005 [ .127 ]			
.xx ± .01 [ .25 ] ANGLES ± 5 °		DRAWING NUMBER:	
		02479-173	
DRAWN BY	DATE	CHK	SCALE
JSP	4-22-06	MJD	NONE
SHT 1 OF 1			SIZE
			A

REV	DATE	BY	CHK	APR	DESCRIPTION	ECN
1	3/6/14	JSP	REFR	MMR	A. REVISED DRAWING TITLE.	02479-173
R	4-22-06	JSP	MJD	MJD	RELEASED TO PRODUCTION	02479-173

**PANDUIT**

D10100DA/14