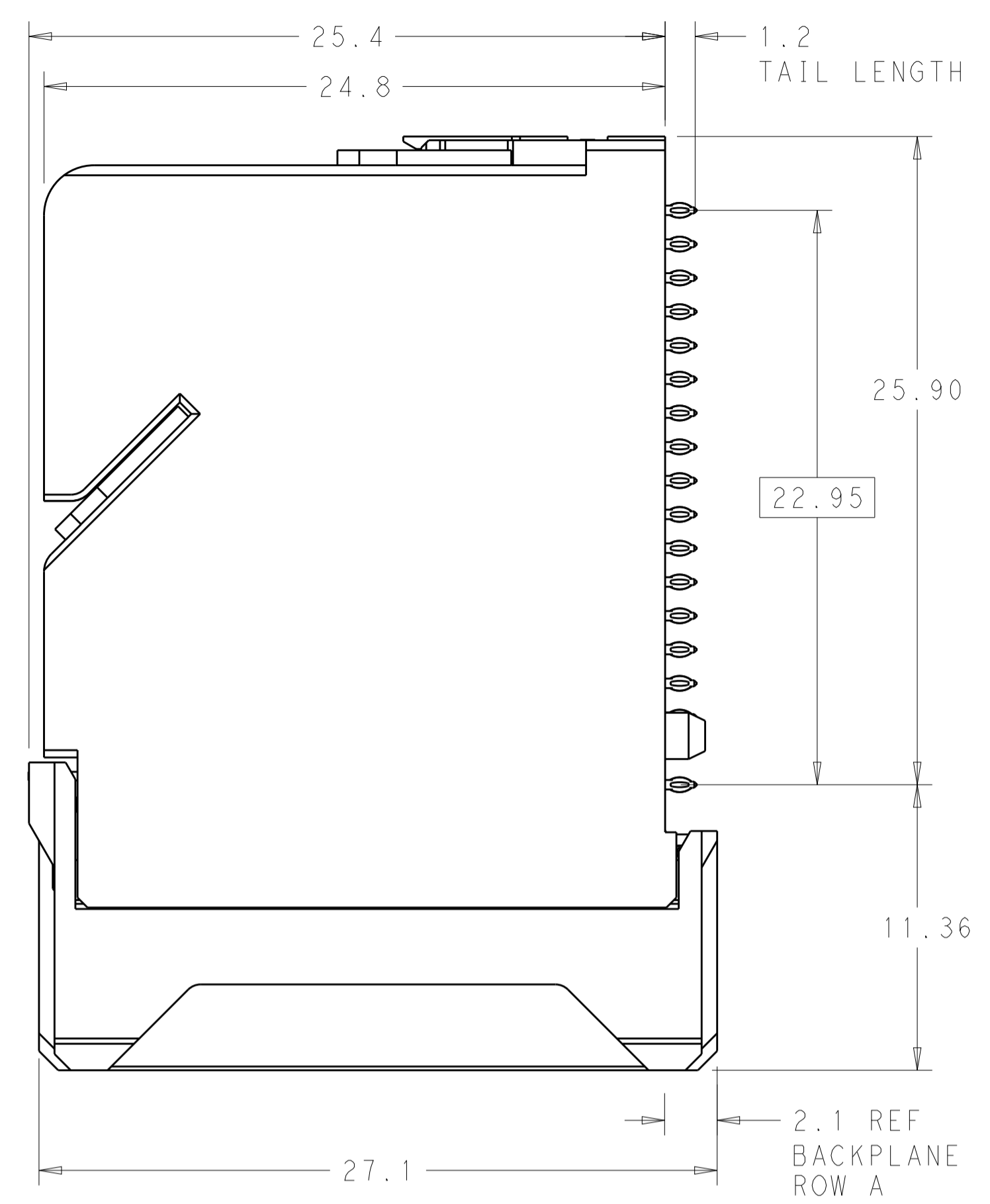
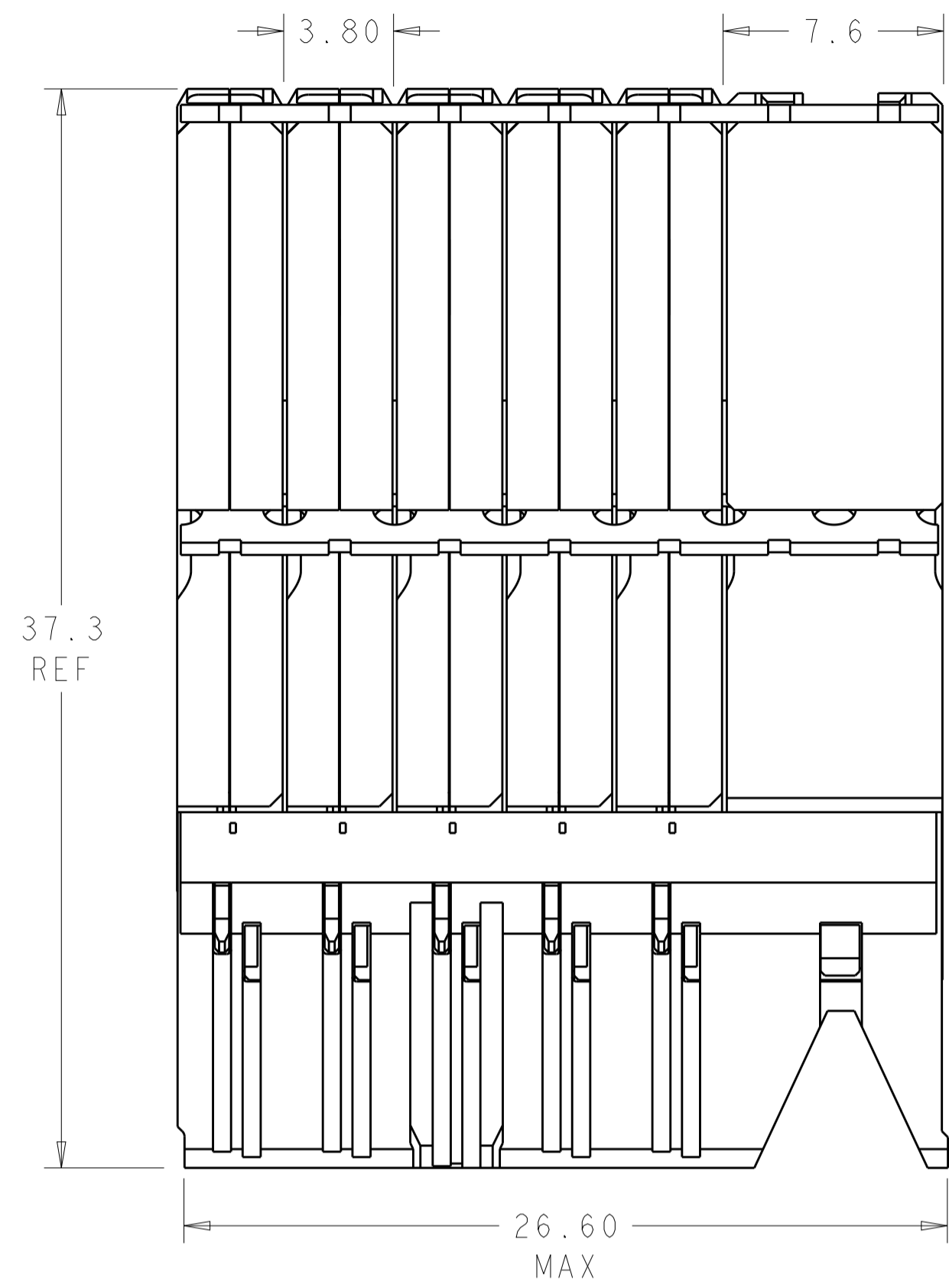
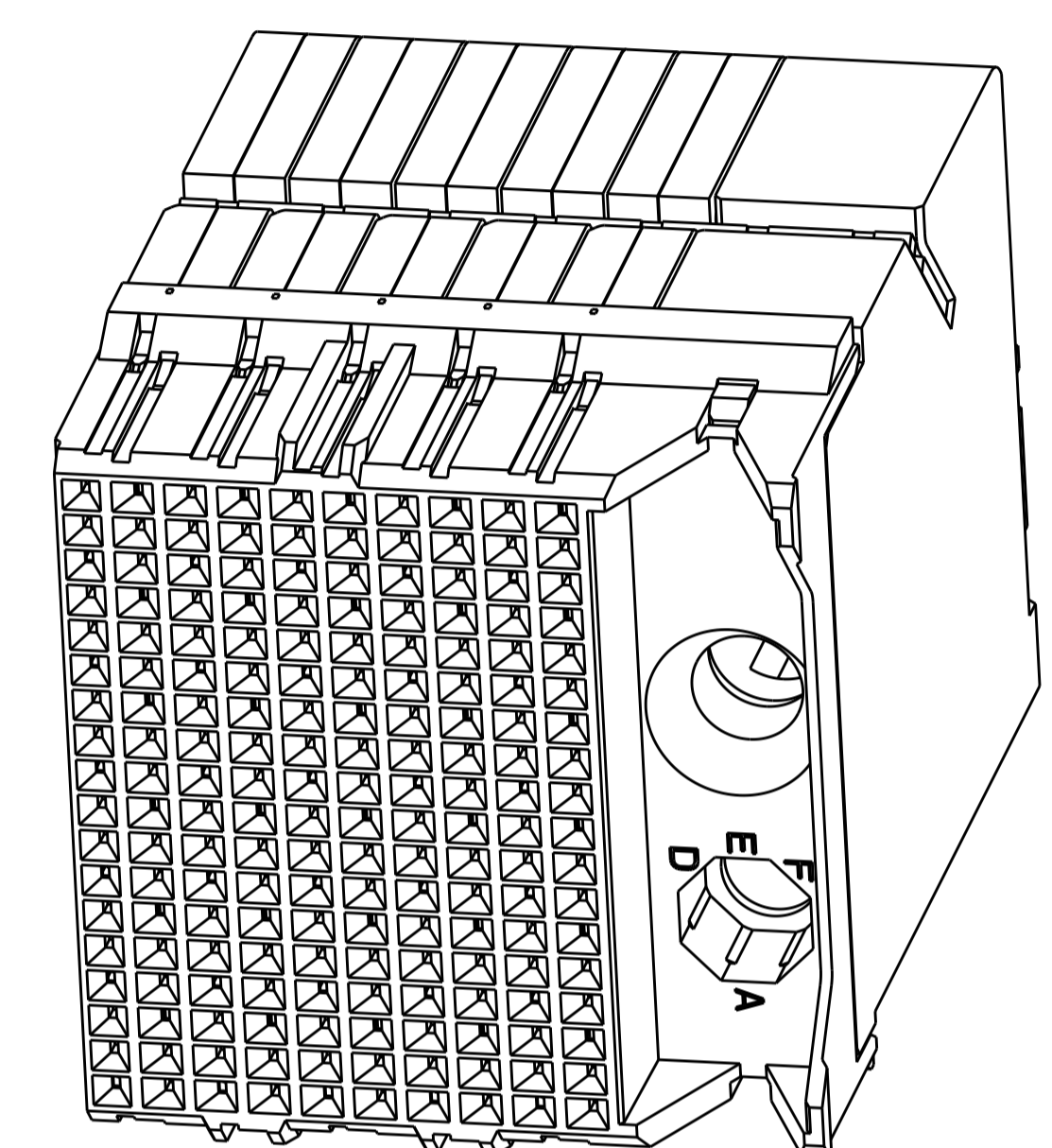


| REVISIONS | | | | |
|-----------|-----|---------------------------|-----------|-------|
| P. | LTN | DESCRIPTION | DATE | APVD |
| E | | REVISED PER ECO-15-012351 | 25SEP2015 | AP SY |

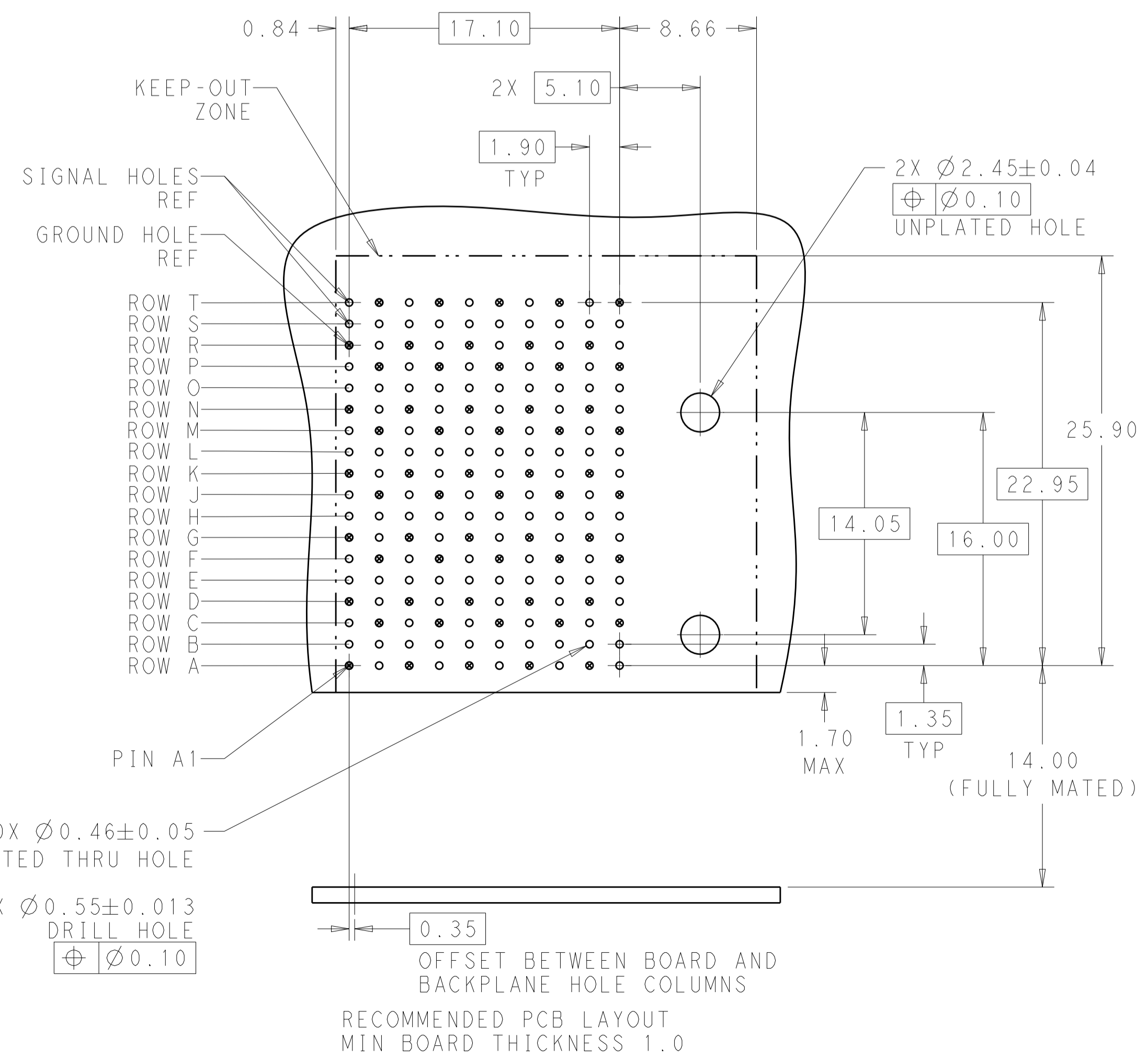
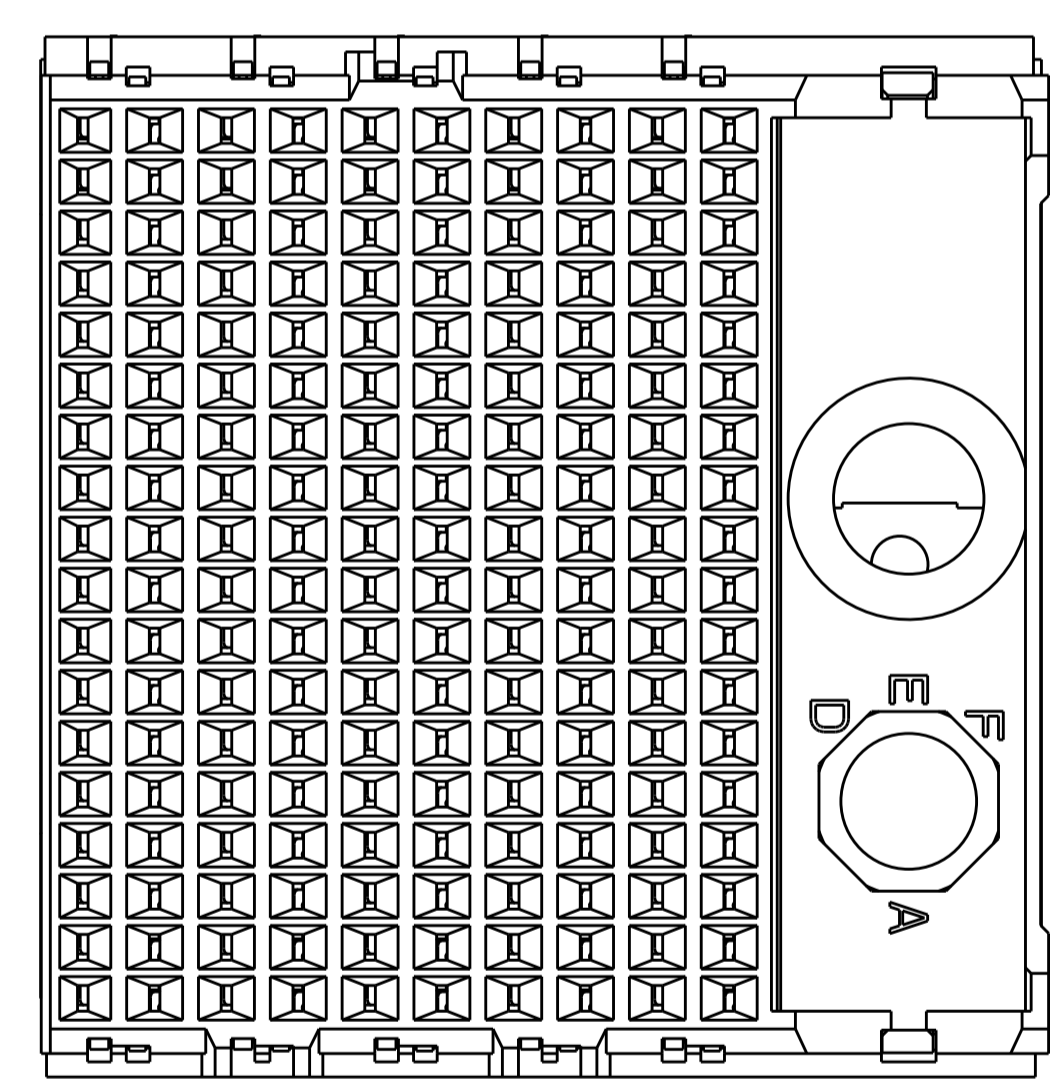


- ⚠ MATERIAL:
HOUSING: LCP, GLASS FILLED, UL94V-0.
TERMINALS: HIGH PERFORMANCE COPPER ALLOY.
- ⚠ FINISH:
30µ" SELECTIVE GOLD IN CONTACT AREA. SELECTIVE TIN ON PCB TAILS, NICKEL OVERALL.
- 3. CONNECTORS SUPPLIED WITH MOUNTING SCREWS.



SCALE 4:1

REFER TO WWW.TE.COM FOR PRODUCT AVAILABILITY



| KEY POSITION CHART | |
|--------------------|------|
| | NONE |
| | A |
| | B |
| | C |
| | D |
| | E |
| | F |
| | G |
| | H |

| KEY POSITION | FINISH | PART NUMBER |
|--------------|--------|-------------|
| H | ⚠ | 8-2007737-1 |
| G | ⚠ | 7-2007737-1 |
| F | ⚠ | 6-2007737-1 |
| E | ⚠ | 5-2007737-1 |
| D | ⚠ | 4-2007737-1 |
| C | ⚠ | 3-2007737-1 |
| B | ⚠ | 2-2007737-1 |
| A | ⚠ | 1-2007737-1 |
| NONE | ⚠ | 2007737-1 |

180X Ø0.46±0.05 PLATED THRU HOLE
 180X Ø0.55±0.013 DRILL HOLE
 Ø0.10

0.35
 OFFSET BETWEEN BOARD AND BACKPLANE HOLE COLUMNS
 RECOMMENDED PCB LAYOUT MIN BOARD THICKNESS 1.0

THIS DRAWING IS A CONTROLLED DOCUMENT. DWN J.K. SHOBER 04MAR2011
 CHK D. DIXON 04MAR2011
 APVD D. DIXON 04MAR2011

TE TE Connectivity

NAME: IMPACT, 6 PAIR, DAUGHTERCARD 10 COLUMN, RIGHT GUIDED, SIGNAL MODULE, 0.46 EYELET

SIZE: A1 CAGE CODE: DRAWING NO: 00779 ©=2007737

MATERIAL: SEE TABLE FINISH: SEE TABLE

Customer Drawing SCALE 5:1 SHEET 1 OF 1 REV E