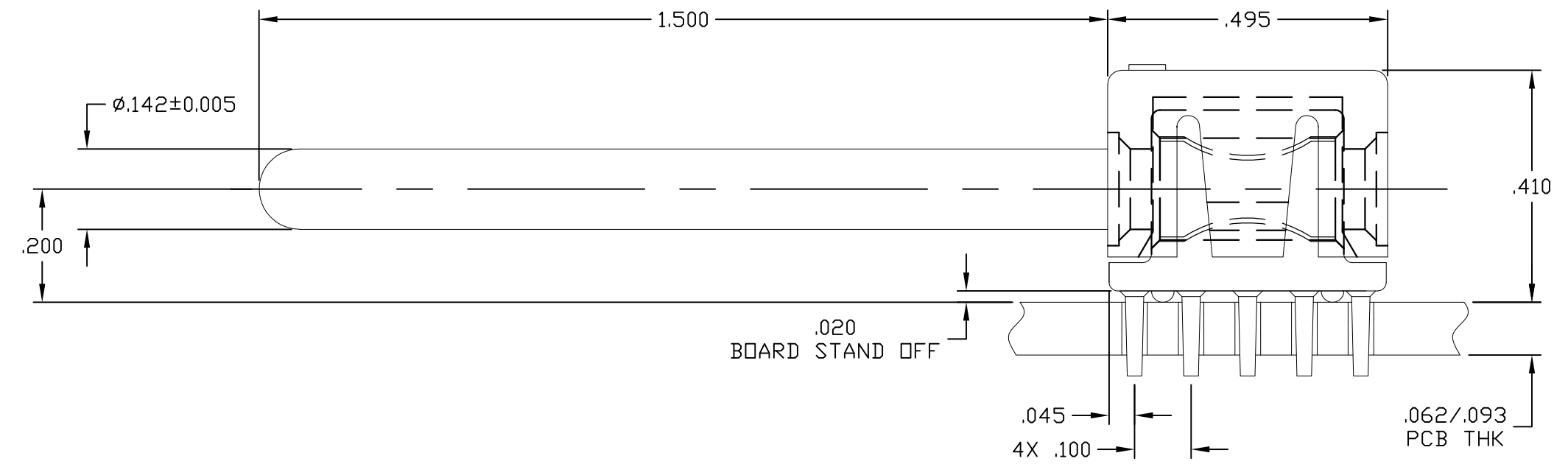
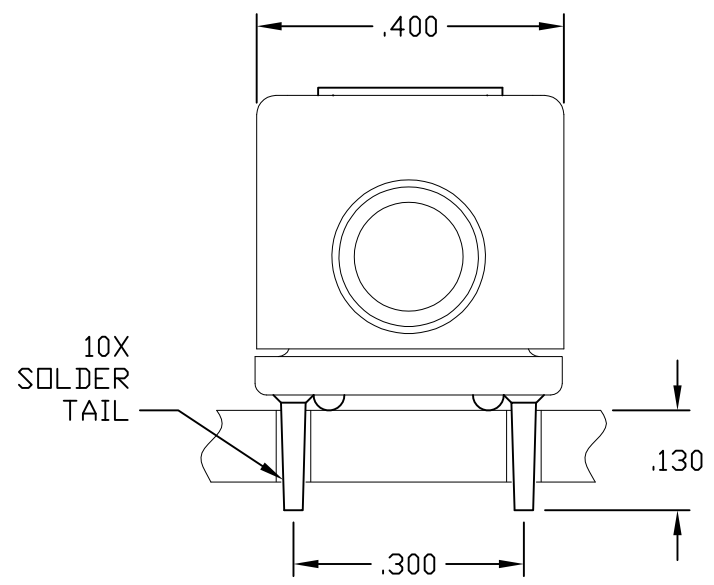
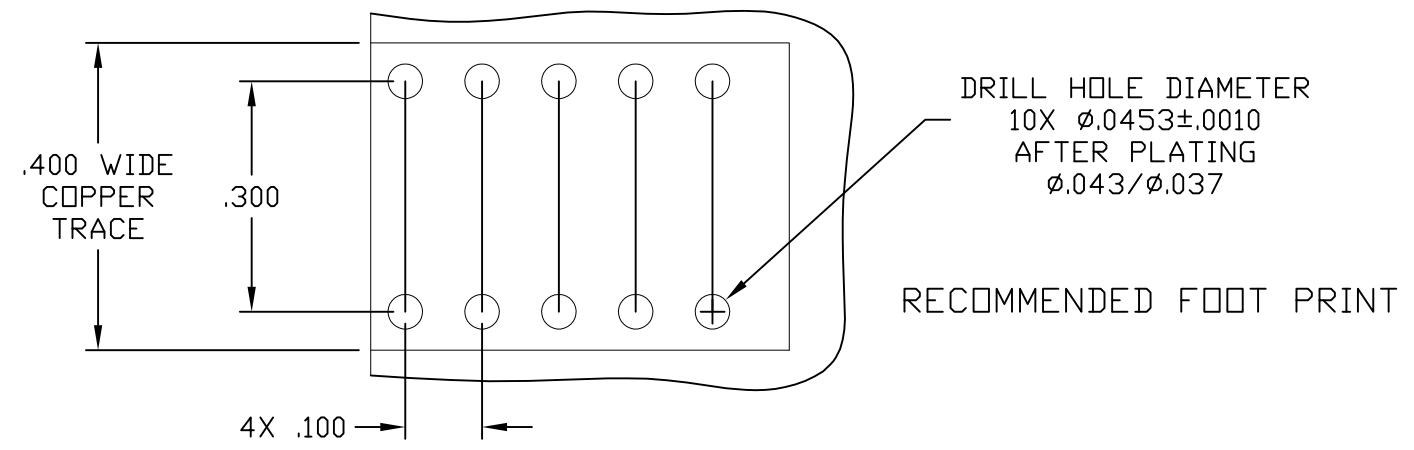


THIS DRAWING IS UNPUBLISHED. RELEASED FOR PUBLICATION
 © COPYRIGHT - By -TE ALL RIGHTS RESERVED.

LOC	DIST	REVISIONS					
GP	00	P	LTR	DESCRIPTION	DATE	DWN	APVD
		B		REV PER ECO-11-007678	11JUL2011	RG	DO



4. FINISHES:
- CROWN: GOLD PLATED, .000030 MIN THICK OVER NICKEL PLATED, .000040 MIN THICK.
 - INSERT: SILVER PLATED, .000200 MIN THICK, OVER NICKEL PLATED, .000040 MIN THICK.
 - CONTACT: SILVER PLATED, .000200 MIN THICK, OVER NICKEL PLATED, .000040 MIN THICK.

3. MATERIALS:
- HOUSING: THERMOPLASTIC, GLASS REINFORCED, COLOR-BLACK UL94V-0 FLAMMABILITY RATED
 - INSERT: ZINC ALLOY, CASTING
 - CROWN: COPPER ALLOY
 - CONTACT: BRASS ALLOY

2. ITEMS PROVIDED TO THIS SPECIFICATION SHALL BE IDENTIFIED ON THE CONTAINER WITH THE FOLLOWING INFORMATION:
 PART NUMBER & DATE CODE OF MANUFACTURE.

1. PART NUMBER CHANGES AND OR DESIGN CHANGES AFFECTING ITEM INTERCHANGEABILITY REQUIRE PRIOR TE APPROVAL AND AUTHORIZATION BY REVISION TO THIS DRAWING.

5. A FIVE POUND (5lb) FORCE IS REQUIRED TO CORRECTLY SEAT THE CONNECTOR WITH PLATED THRU HOLES LESS THAN $\phi.040$ INCH.

6650785-1
 PART NUMBER

THIS DRAWING IS A CONTROLLED DOCUMENT.		DWN HA NGUYEN 07/22/06	TE Connectivity			
DIMENSIONS: INCHES		CHK -				
TOLERANCES UNLESS OTHERWISE SPECIFIED:		APVD STEVE FLICKINGER 07/22/06	NAME			
		PRODUCT SPEC -	-ICCON, PIN, SIZE No.8, PARALLEL SOLDER TAIL, 10 PIN FOOT PRINT NON LOCKING STYLE, 1.500 PIN EXT.			
MATERIAL		APPLICATION SPEC -	SIZE A3	CAGE CODE 00779	DRAWING NO C-6650785	RESTRICTED TO -
FINISH -		WEIGHT -	CUSTOMER DRAWING		SCALE 4:1	SHEET 1 OF 1
					REV B	