

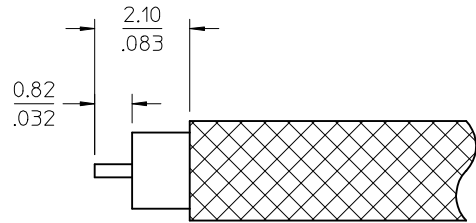
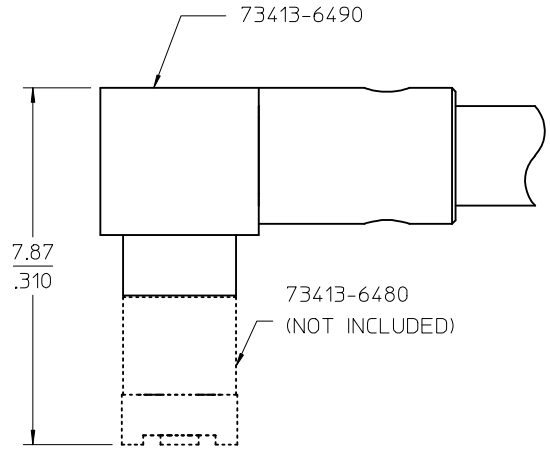
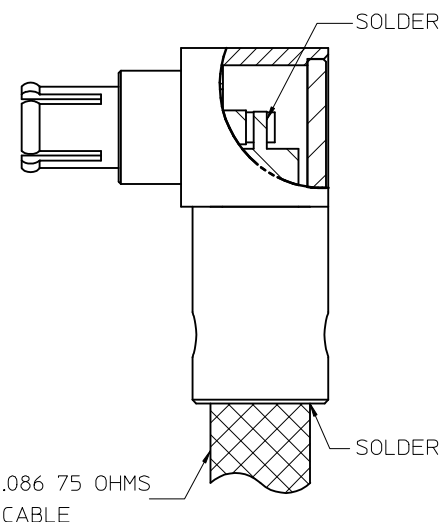
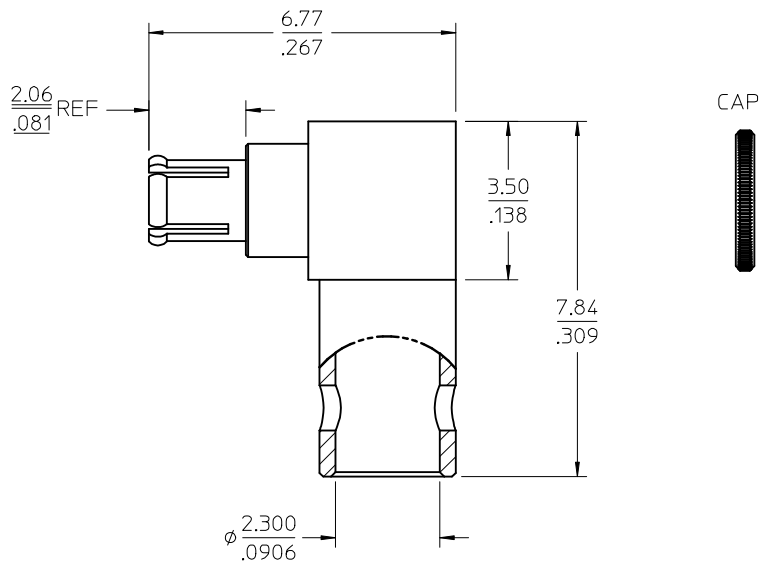
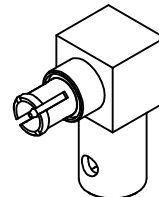
MATERIALS AND FINISHES:

HOUSING, CAP: BRASS
 PLATED GOLD (10 μ -in MIN)
 OVER NICKEL (100 μ -in MIN)

CONTACT: BRASS
 PLATED GOLD (10 μ -in MIN)
 OVER NICKEL (100 μ -in MIN)

OUTER CONTACT: BERYLLIUM COPPER
 PLATED GOLD (8 μ -in MIN)
 OVER NICKEL HIGH PHOS (80 μ -in MIN)

INSULATOR: PTFE



RECOMMENDED CABLE STRIP

73413-6490 MATED
 WITH 73413-6480

PART # 73413-6490

CHG: UPDATED CONTACT VIEW. EC NO: URF2016-0542 DRWN: AROBERTSON 2016/01/28 CHKD: SSS 2016/01/28 APPR: AROBERTSON 2016/01/28	QUALITY SYMBOLS ▽=0 ▽=0 ▽=0	GENERAL TOLERANCES (UNLESS SPECIFIED)		DIMENSION STYLE MM/IN		SCALE	DESIGN UNITS METRIC	THIRD ANGLE PROJECTION			
		4 PLACES ± --- ± ---	mm INCH	DRAWN BY SSHAH	DATE 2012/10/18	TITLE SSMCX PLUG R/A 75 OHMS .086 75 OHMS CABLE EWR-5050 SSMCX-PC					
		3 PLACES ± --- ± ---		CHECKED BY AROBERTSON	DATE 2012/11/30	DOCUMENT NO. SD-73413-649					
		2 PLACES ± --- ± ---		APPROVED BY JW IENER	DATE 2012/12/03	SHEET NO. 1 OF 1					
		1 PLACE ± --- ± ---		MATERIAL NO. SEE TABLE		THIS DRAWING CONTAINS INFORMATION THAT IS PROPRIETARY TO MOLEX INCORPORATED AND SHOULD NOT BE USED WITHOUT WRITTEN PERMISSION					
0 PLACE ± --- ± ---		ANGULAR ± 2 °									
DRAFT WHERE APPLICABLE MUST REMAIN WITHIN DIMENSIONS											