
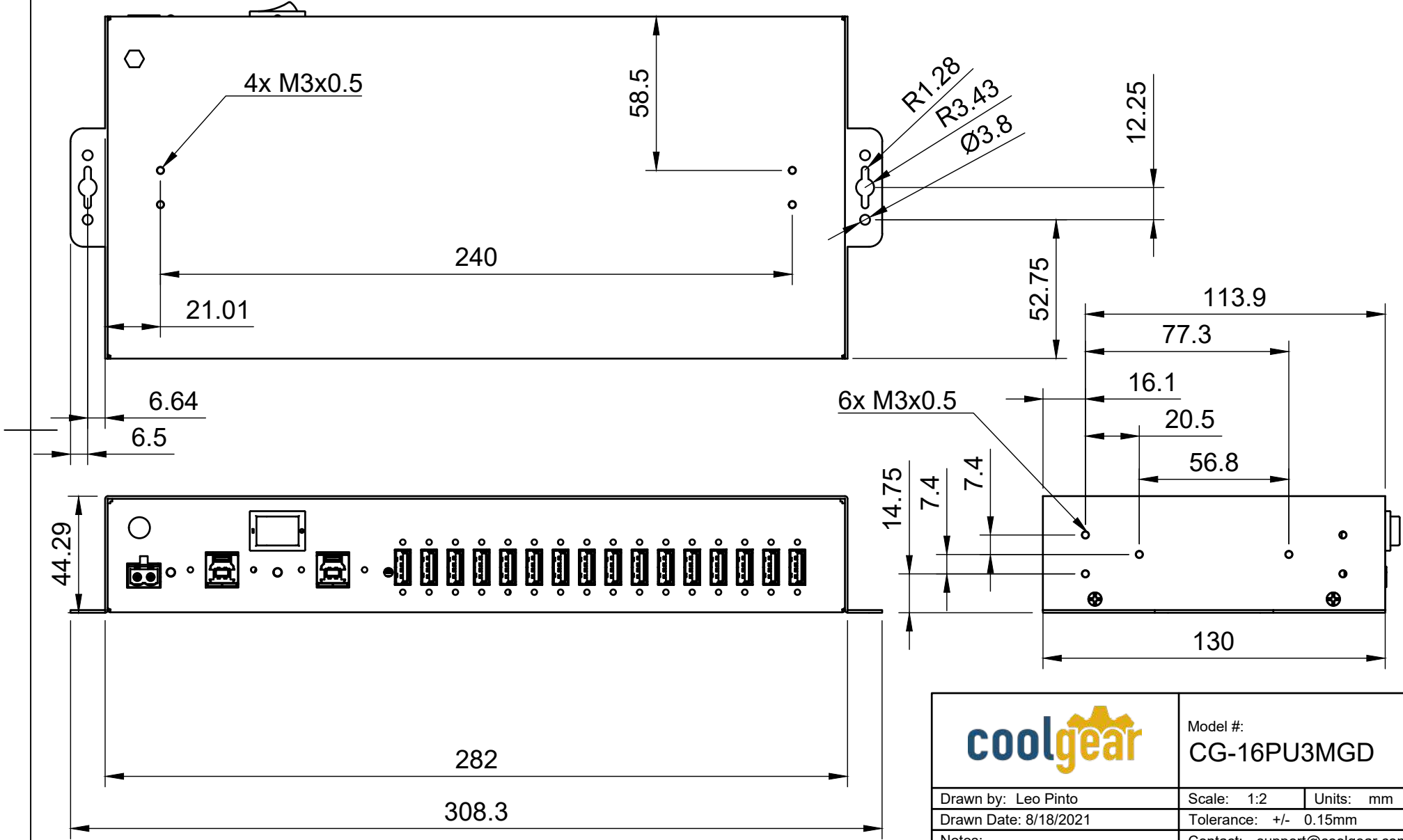



Isometric View



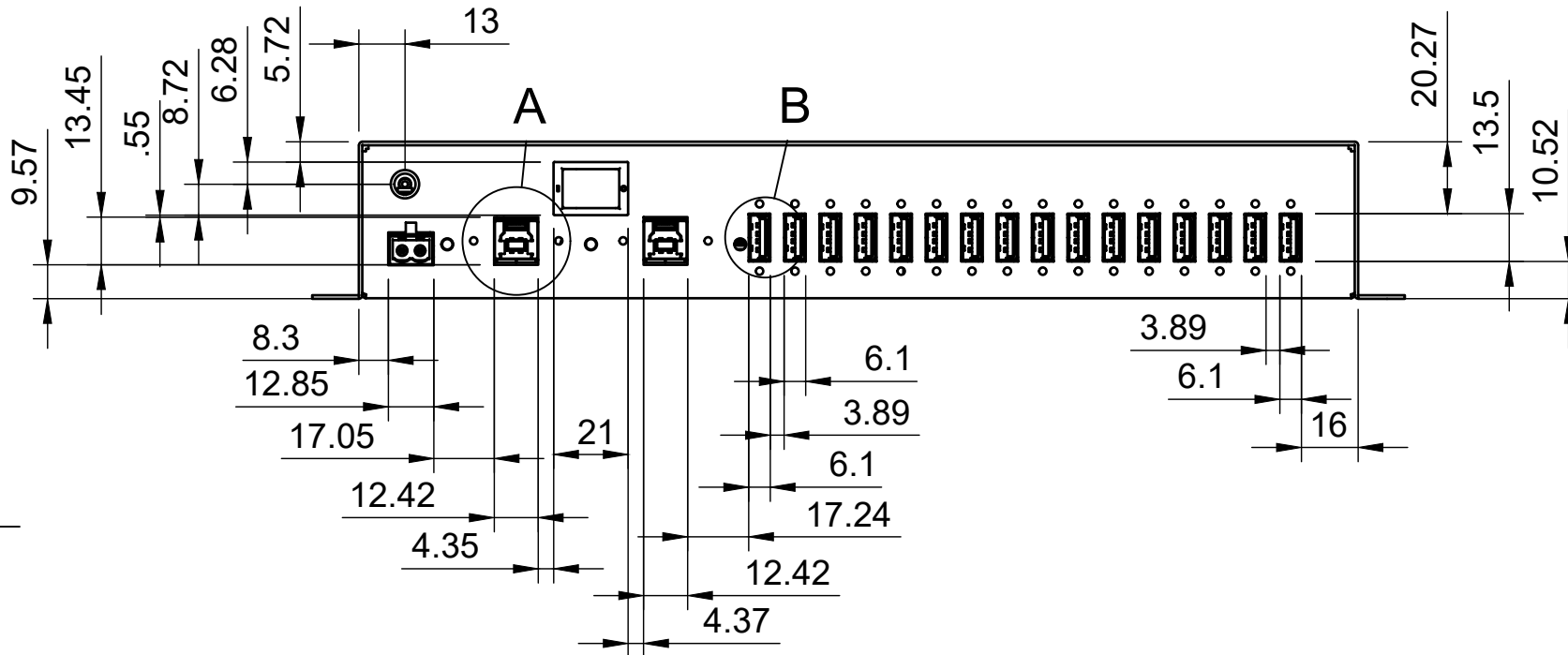
| | | |
|---------------------------------------------------------------------------------------|-------------------------------|------------------------|
|  | Model #: CG-16PU3MGD | |
| | Drawn by: Leo Pinto | Scale: 1:2 Units: mm |
| Drawn Date: 8/18/2021 | Tolerance: +/- 0.15mm | |
| Notes: | Contact: support@coolgear.com | |
| | Web: coolgear.com | |
| | A4 | 1/5 |

Basic Measurements
Mounting Holes

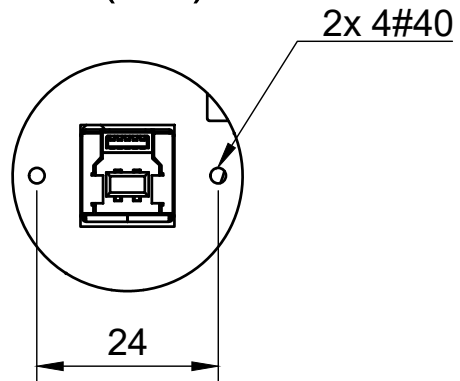


| | | |
|---------------------------------------------------------------------------------------|-------------------------------|-----------|
|  | Model #: | |
| | CG-16PU3MGD | |
| Drawn by: Leo Pinto | Scale: 1:2 | Units: mm |
| Drawn Date: 8/18/2021 | Tolerance: +/- 0.15mm | |
| Notes: | Contact: support@coolgear.com | |
| | Web: coolgear.com | |
| | A4 | 2/5 |

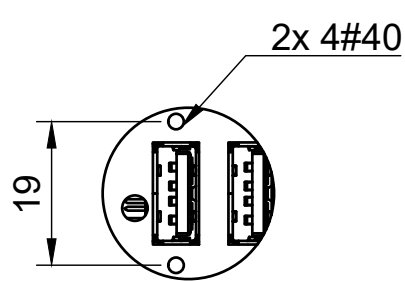
Port Detailed




A (1:1)

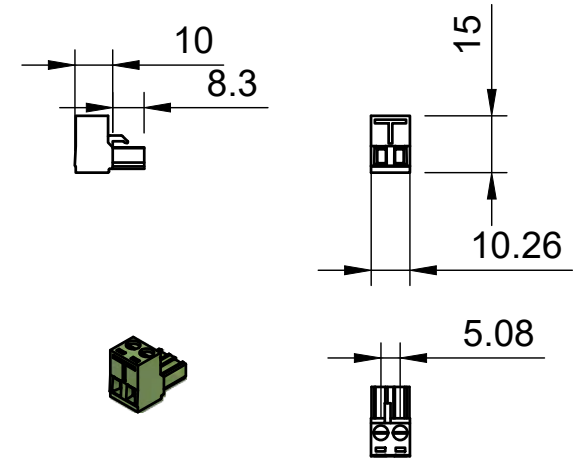
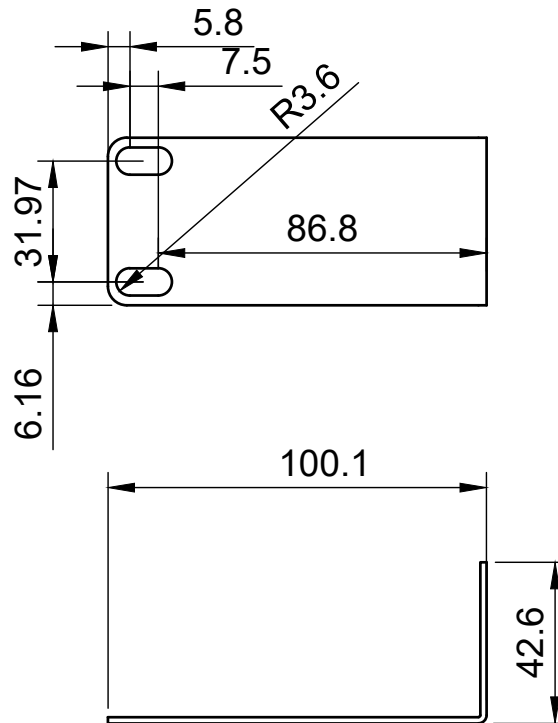
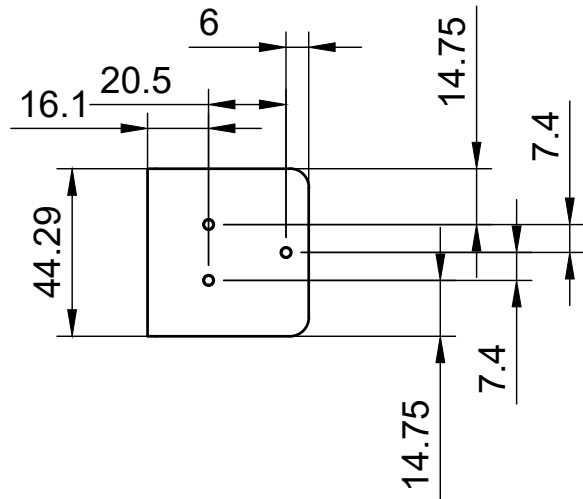



B (1:1)



| | | | |
|---------------------------------------------------------------------------------------|--|-------------------------------|-----------|
|  | | Model #: | |
| | | CG-16PU3MGD | |
| Drawn by: Leo Pinto | | Scale: 1:2 | Units: mm |
| Drawn Date: 8/18/2021 | | Tolerance: +/- 0.15mm | |
| Notes: | | Contact: support@coolgear.com | |
| | | Web: coolgear.com | |
| | | A4 | 3/5 |


Accessories



| | | | |
|---------------------------------------------------------------------------------------|--|-------------------------------|-----------|
|  | | Model #: | |
| | | CG-16PU3MGD | |
| Drawn by: Leo Pinto | | Scale: 1:2 | Units: mm |
| Drawn Date: 8/18/2021 | | Tolerance: +/- 0.15mm | |
| Notes: | | Contact: support@coolgear.com | |
| | | Web: coolgear.com | |
| | | A4 | 4/5 |

Exploded View



| | | | |
|---------------------------------------------------------------------------------------|--|-------------------------------|-----------|
|  | | Model #: CG-16PU3MGD | |
| Drawn by: Leo Pinto | | Scale: 1:2 | Units: mm |
| Drawn Date: 8/18/2021 | | Tolerance: +/- 0.15mm | |
| Notes: | | Contact: support@coolgear.com | |
| | | Web: coolgear.com | |
| | | A4 | 5/5 |