

1

2

3

4

5

6

7

A

B

C

D

E

F

A

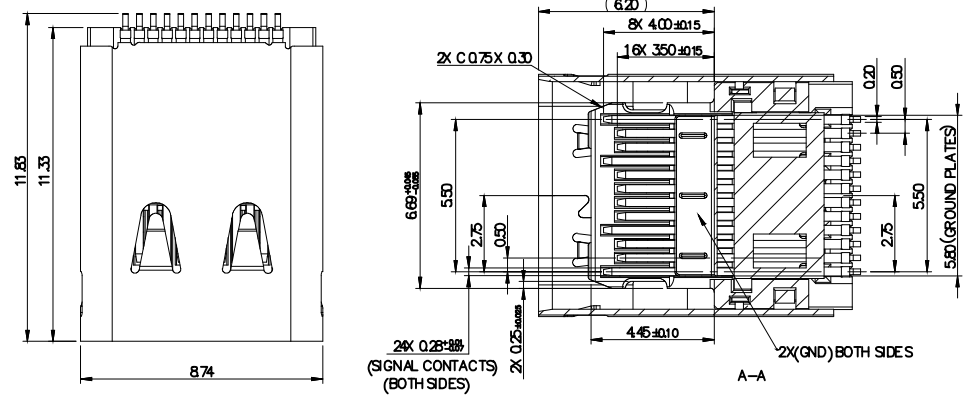
B

C

D

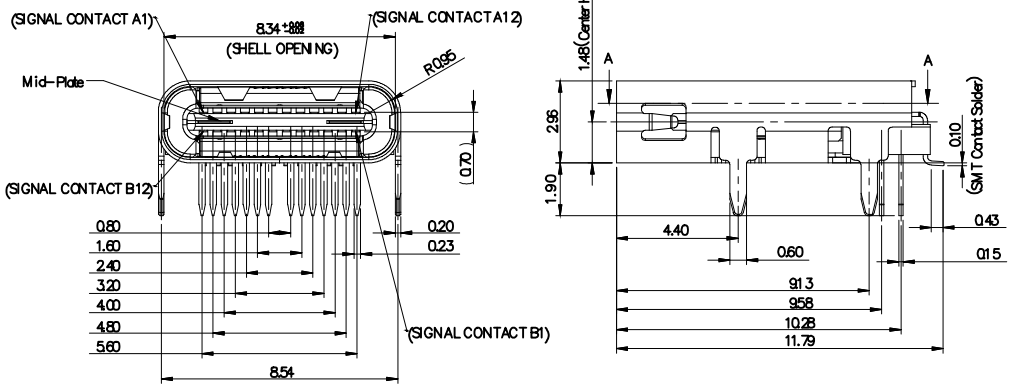
E

F



Notes:

- SPECIFICATION**
MATERIAL
 Insulator: Thermoplastic, Black, UL94V-0
 Contacts: BRASS
 Shell: Stainless Steel
CONTACT PLATING
 Underplate: 80u"~160u" Nickel
 Contact area: 30u" Pd-Ni+2u" Selective gold,
 Solder tails area: 100u"~200u" Tin (Lead Free)
ELECTRICAL
 Operation voltage: 20 V
 Current rating: 5 Amps max.
 Insulation resistance: 100 Mohms min @ 100 VDC
 Dielectric withstanding voltage: 100 VAC / minute
 ③ Contact resistance: 40mΩ
 Temperature range: -40°C TO +105°C
 ③ Soldering temperature: +260°C max, 10S
 ③ Mating force: 5N~20N
 ③ Unmating force: 8N~20N
 Mating cycles: 10,000 insertions
 ① AUSB1-DFN-PTR10: Tape&Reel, 700Pcs/Reel



RoHS compliant
Unit: mm

Scale	Free					Date	Name	Customer-No.
TOLERANCE					Drawn	19.05.2017	Winnie	
X.	±0.50				Approved	29.10.2019	Carson	ASSMANN WSW-No. AUSB1-DFN-PTR10
X.X	±0.30	③	Update	29.10.2019	Carson			
X.XX	±0.20	②	Delete AUSB1-DFN-PTP2	26.07.2019	Xavier			
DIM	TOL	①	Correct package quantity	17.05.2019	Xavier			
X.°	±2°	①	Drawn	19.05.2017	Winnie			
Angle	TOL	ld.	Modification	Date	Name	Replace	ASS 7596 CO	rev03

Drawing-No. ASS 7596 CO rev03

Sheet 1/3

1

2

3

4

5

6

7

H

	1	2	3	4	5	6	7																																																																					
A									A																																																																			
B																B																																																												
C																C																																																												
D																D																																																												
E																E																																																												
F																F																																																												
G	RoHS compliant Unit: mm		<table border="1"> <tr> <td>Scale</td> <td>Free</td> <td></td> <td></td> <td></td> <td></td> <td>Date</td> <td>Name</td> <td>Customer-No.</td> </tr> <tr> <td colspan="2">TOLERANCE</td> <td></td> <td></td> <td></td> <td></td> <td>Drawn</td> <td>19.05.2017</td> <td>Winnie</td> </tr> <tr> <td>X.</td> <td>±0.50</td> <td></td> <td></td> <td></td> <td></td> <td></td> <td></td> <td></td> </tr> <tr> <td>X.X</td> <td>±0.30</td> <td>③</td> <td>Update</td> <td>29.10.2019</td> <td>Carson</td> <td>Approved</td> <td>29.10.2019</td> <td>Carson</td> </tr> <tr> <td>X.XX</td> <td>±0.20</td> <td>②</td> <td>Delete AUSB1-DFN-PTP2</td> <td>26.07.2019</td> <td>Xavier</td> <td></td> <td></td> <td></td> </tr> <tr> <td>DIM</td> <td>TOL</td> <td>①</td> <td>Correct package quantity</td> <td>17.05.2019</td> <td>Xavier</td> <td colspan="3" rowspan="3"> </td> </tr> <tr> <td>X.°</td> <td>±2°</td> <td>①</td> <td>Drawn</td> <td>19.05.2017</td> <td>Winnie</td> </tr> <tr> <td>Angle</td> <td>TOL</td> <td>Id.</td> <td>Modification</td> <td>Date</td> <td>Name</td> </tr> </table>						Scale	Free					Date	Name	Customer-No.	TOLERANCE						Drawn	19.05.2017	Winnie	X.	±0.50								X.X	±0.30	③	Update	29.10.2019	Carson	Approved	29.10.2019	Carson	X.XX	±0.20	②	Delete AUSB1-DFN-PTP2	26.07.2019	Xavier				DIM	TOL	①	Correct package quantity	17.05.2019	Xavier				X.°	±2°	①	Drawn	19.05.2017	Winnie	Angle	TOL	Id.	Modification	Date	Name		
Scale	Free					Date	Name	Customer-No.																																																																				
TOLERANCE						Drawn	19.05.2017	Winnie																																																																				
X.	±0.50																																																																											
X.X	±0.30	③	Update	29.10.2019	Carson	Approved	29.10.2019	Carson																																																																				
X.XX	±0.20	②	Delete AUSB1-DFN-PTP2	26.07.2019	Xavier																																																																							
DIM	TOL	①	Correct package quantity	17.05.2019	Xavier																																																																							
X.°	±2°	①	Drawn	19.05.2017	Winnie																																																																							
Angle	TOL	Id.	Modification	Date	Name																																																																							
H							Drawing-No. ASS 7596 CO		rev03 Sheet 2/3	H																																																																		
	1	2	3	4	5	6	7																																																																					

1

2

3

4

5

6

7

A

A

B

B

C

C

D

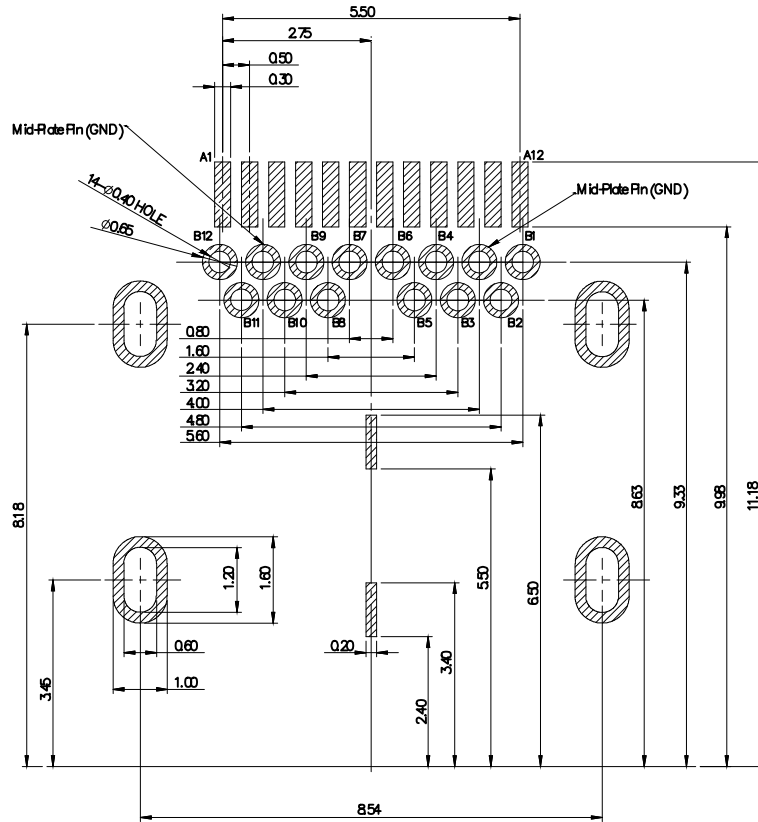
D

E

E

F

F



USB TYPE -C Pin Assignments

PinNumber	Signal Name	Pin Number	Signal Name
A1	GND	B1 2	GND
A2	SSTXp1	B1 1	SSRXp1
A3	SSTXn1	B1 0	SSRXn1
A4	VBUS	B9	VBUS
A5	CC1	B8	SBU2
A6	Dp1	B7	Dn2
A7	Dn1	B6	Dp2
A8	SBU1	B5	CC2
A9	VBUS	B4	VBUS
A1 0	SSRXn2	B3	SSTXn2
A1 1	SSRXp2	B2	SSTXp2
A1 2	GND	B1	GND

Recommended PCB Layout
Tolerance ± 0.05
PCB Thickness=1.60 For Dim-A 1.90 solder Tail

RoHS compliant
Unit: mm

Scale	Free				Date	Name	Customer-No.
TOLERANCE					Drawn	19.05.2017	Winnie
X.	± 0.50				Approved	29.10.2019	Carson
X.X	± 0.30	③	Update	29.10.2019	Carson	Approved	29.10.2019
X.XX	± 0.20	②	Delete AUSB1-DFN-PTP2	26.07.2019	Xavier		
DIM	TOL	①	Correct package quantity	17.05.2019	Xavier		
X.°	$\pm 2^\circ$	④	Drawn	19.05.2017	Winnie		
Angle	TOL	Id.	Modification	Date	Name		

ASSMANN WSW-No. AUSB1-DFN-PTR10	
Drawing-No. ASS 7596 CO	rev03
Replace	Sheet 3/3

1

2

3

4

5

6

7

H

H