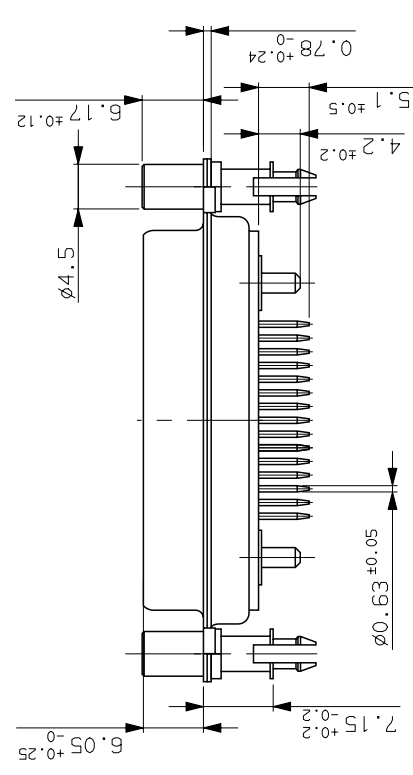
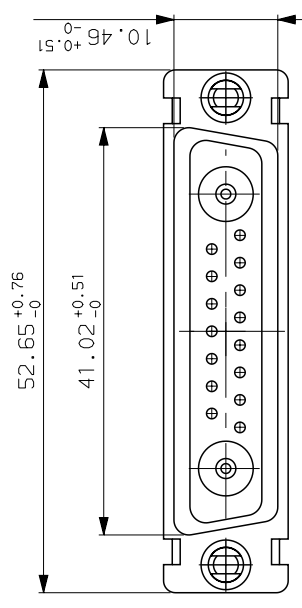
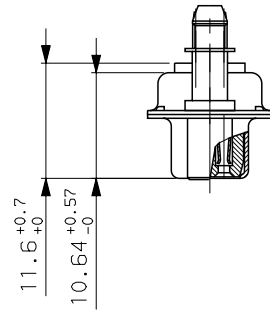
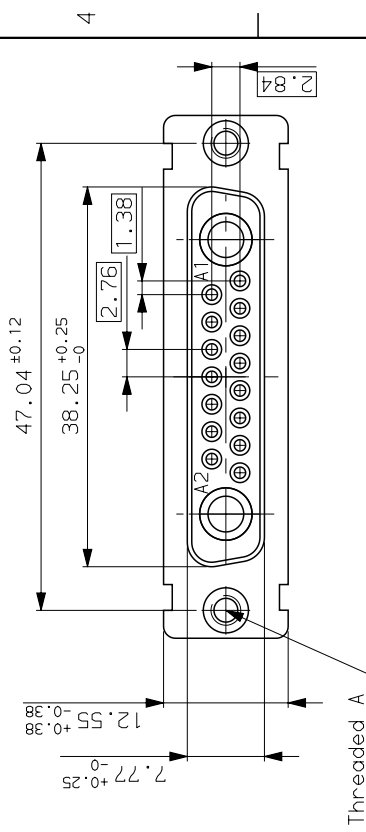
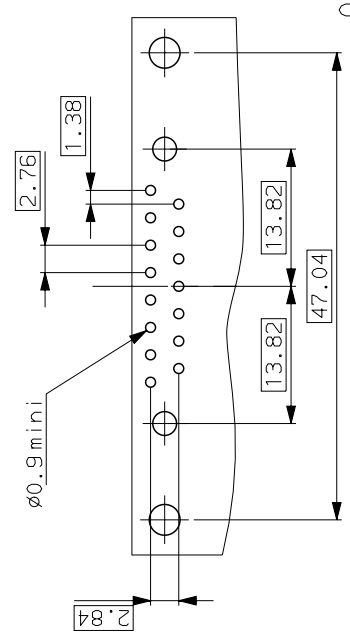


GENERAL CHARACTERISTICS : SEE DRAWING C01-8639-0000



DB117W2S300H30	M3
DBV17W2S300H30	UNC 4.40
PART NUMBER	Threaded A

LAYOUT DIMENSIONS (after plating)
CONNECTOR SIDE VIEW



b	01/10/03	update	--
ISS DATE	Latest modification by : DEBRAY.T	MOD N°	--
Designed by: JARRY date: 24/01/01 Type of drawing: CLIENT			
TITLE : SOCKET CONNECTOR 17W2 WITH POWERS CONTACTS			
SCALE: 2	SHEET 1/1		
		This document is the property of FRAMATOME CONNECTORS FRANCE. It must not be reproduced or communicated without permission in writing from the owners.	
FRAMATOME CONNECTORS FRANCE Rue Louis Breguet - Bp 05 72024 LE MANS Cedex Tel. (33)02.43.78.34.00		PROJECT M94D001	
FORMAT A3	DRG N° C01-8639-1839		

