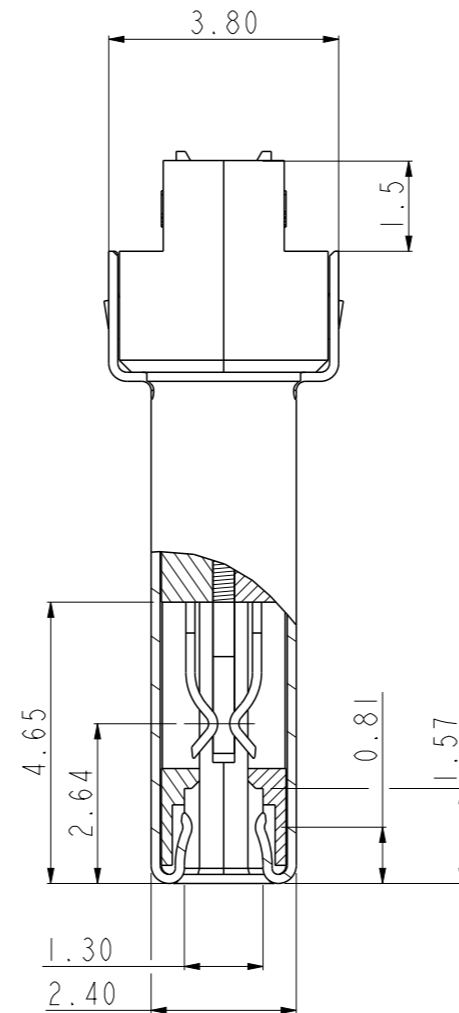
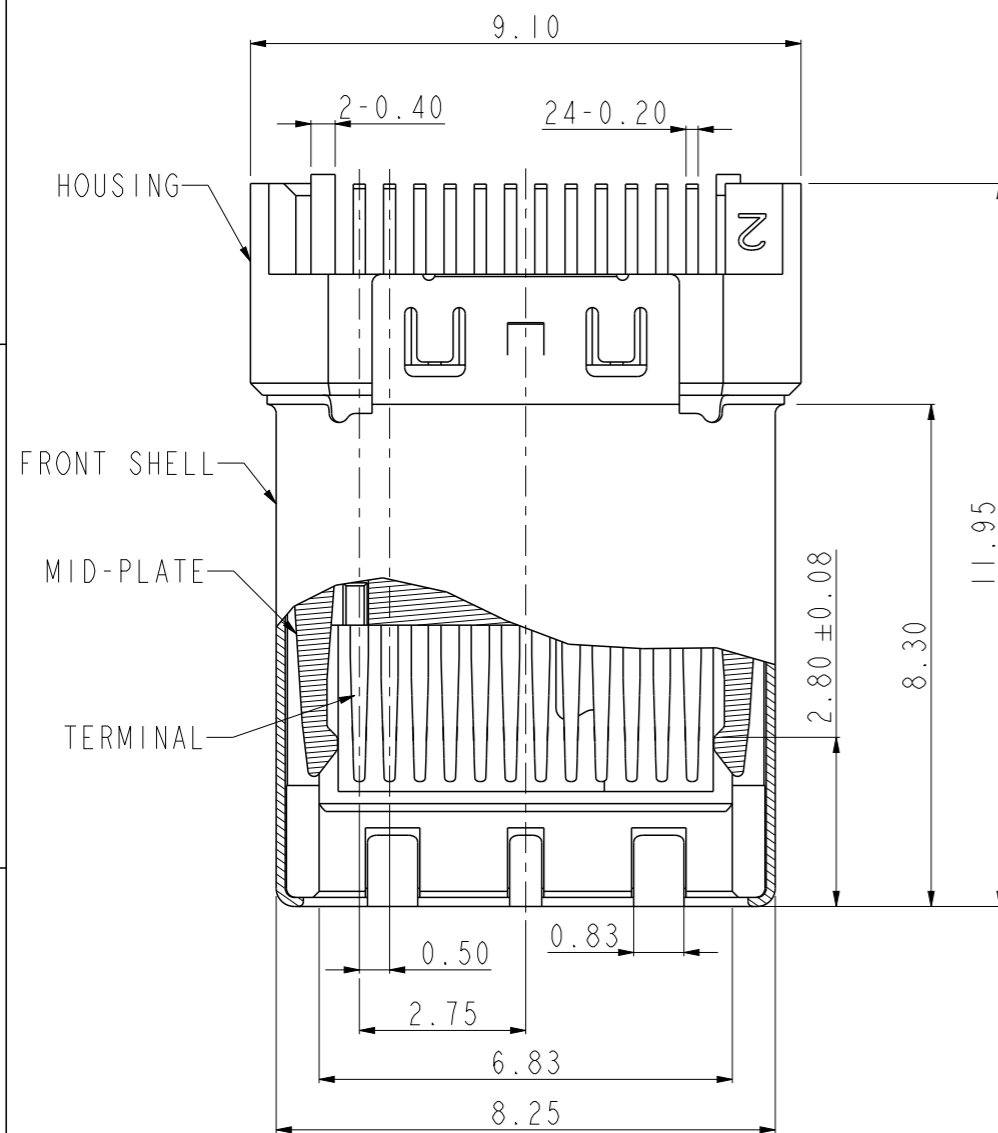


PART NUMBER
SEE SHEET 1

- NOTE:
- MATERIAL:
 - BODY HSG: THERMOPLASTIC, BLACK, UL94V-0
 - TERMINAL: COPPER ALLOY
 - FRONT SHELL/MID-PLATE: STAINLESS STEEL
 - PLATING:
 - TERMINAL: Min 0.05 μ m Au + Min 0.75 μ m Ni-Pd ON CONTACT AREA
 - FRONT SHELL/MID-PLATE: PLATING NI OVER AREA.
 - MECHANICAL CHARACTER:
 - INSERTION FORCE: 5~20N;
 - EXTRACTION FORCE: 8~20N INITIAL, 6~20N AFTER DURABILITY;
 - DURABILITY: 10,000 CYCLES;
 - OPERATION TEMPERATURE: -55°C TO +85°C
 - ELECTRICAL CHARACTER:
 - LLCR: 40m Ω INITIAL, 50m Ω MAX AFTER ENVIRONMENT TEST;
 - INSULATION RESISTANCE: 100M Ω MIN AT 250V DC.
 - DIELECTRIC WITHSTAND VOLTAGE: 100VAC MIN.
 - LEAD FREE PRODUCT MEETS EUROPEAN UNION DIRECTIVES AND OTHER COUNTRY REGULATIONS AS DISCRIBLED IN GS-22-008
 - PRODUCT SPEC: GS-12-1351
 - THE HOUSING WILL WITHSTAND EXPOSURE TO 260°C PEAK TEMPERATURE FOR 20 SECONDS IN A CONVECTION, INFRA-RED OR VAPOR PHASE REFLOW ;
 - PRODUCT IS HALOGEN FREE PRODUCTS.
 - DIMENSIONING SHALL BE INTERPRETED PER ANSI Y14.5-2009;
 - THIS DESIGN COMPLY WITH UNIVERSAL SERIAL BUS TYPE-C SPECIFICATION
 - PART NUMBER CODE:
10133475 - 1000XLF

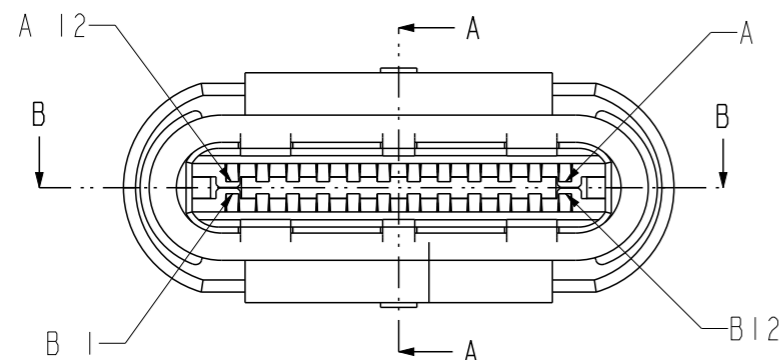
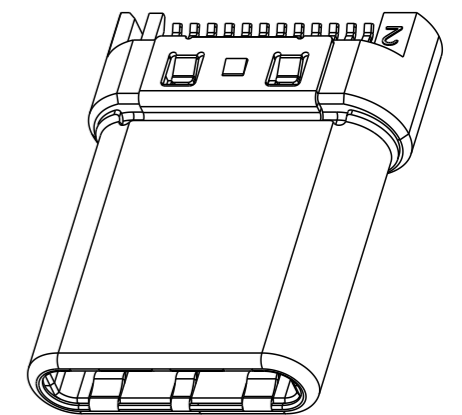
GROUND PIN STATUS (A1/A12/B1/B12)
0. SEPARATED
1. CONNECTED
WITHOUT PCB



SECTION A-A

SECTION B-B

AVAILABLE P/N:
10133475-1000ILF
10133475-1000OLF



spec ref	-	dr	Li-Qing Lei	2015/03/31	projection	mm	size	A3	scale	8.000
tolerance std	ISO 406 ISO 1101	eng	Li-Qing Lei	2018/08/14			ecn no	ELX-M-30885-1		
TOLERANCES UNLESS OTHERWISE SPECIFIED		chr	-	apppr			Tim Yao	2018/08/14	product family	rel level Released
surface	linear	0.X	±0.25	Amphenol FCI		USB3.1 Type-C CABLE PLUG		dwg no 10133475	rev C	
	angular	0°	±2°							
ISO 1302		cat. no.		Product - Customer Drw			sheet 1 of 2			

1

2

3

4

A

B

C

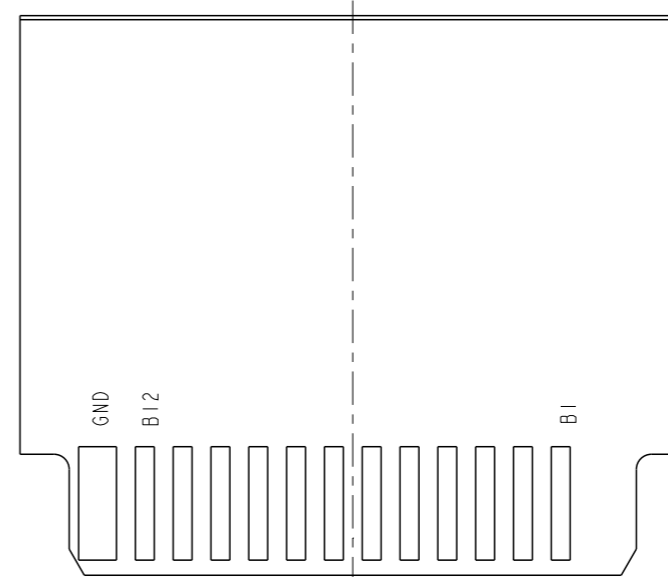
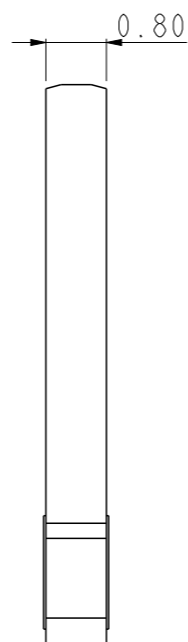
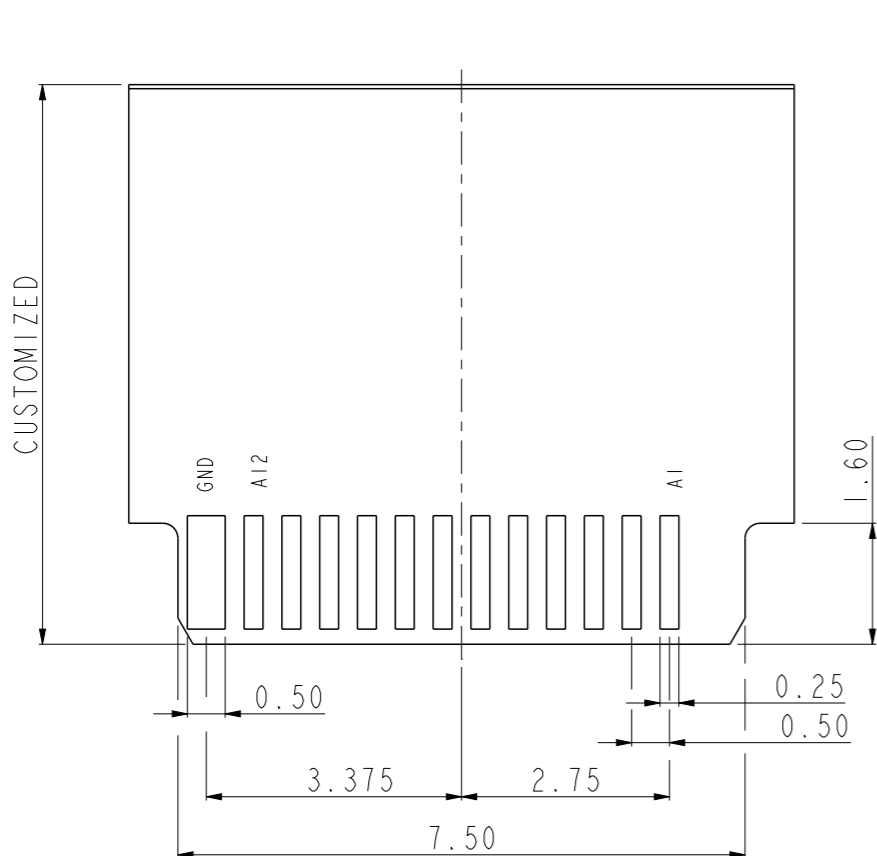
D

A

B

C

D



CUSTOMIZABLE PCB FOR SOLDERING CALB
PCB LAYOUT TOLERANCE : ±0.05

PIN ASSIGNMENTS			
PIN	SIGNAL NAME	PIN	SIGNAL NAME
A1	GND	B12	GND
A2	SSTXp1	B11	SSRXp1
A3	SSTXn1	B10	SSRXn1
A4	VBUS	B9	VBUS
A5	CC1	B8	SBU2
A6	Dp1	B7	Dn2
A7	Dn1	B6	Dp2
A8	SBU1	B5	CC2
A9	VBUS	B4	VBUS
A10	SSRXn2	B3	SSTXn2
A11	SSRXp2	B2	SSTXp2
A12	GND	B1	GND

dr	Li-Qing Lei	2015/03/31	projection 	size A3	scale 10.000
eng	Li-Qing Lei	2018/08/14			
chr	-	-			
appr	Tim Yao	2018/08/14	product family	ecn no	ELX-M-30885-1
				rel level	Released
Amphenol FCI			USB3.1 Type-C CABLE PLUG		dwg no 10133475
cat. no.			Product - Customer Drw		sheet 2 of 2

1

2

3

4

rev
C