

MATERIALS AND FINISHES

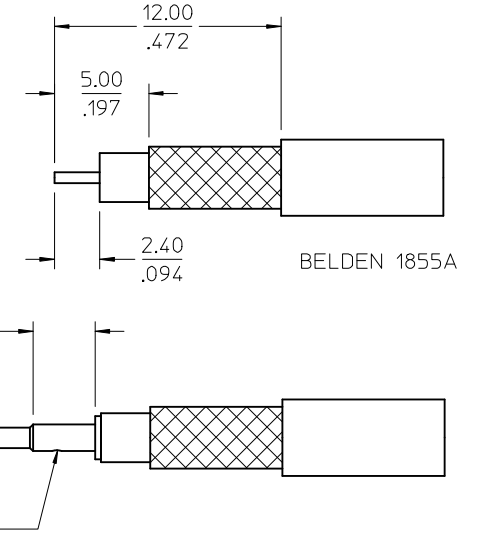
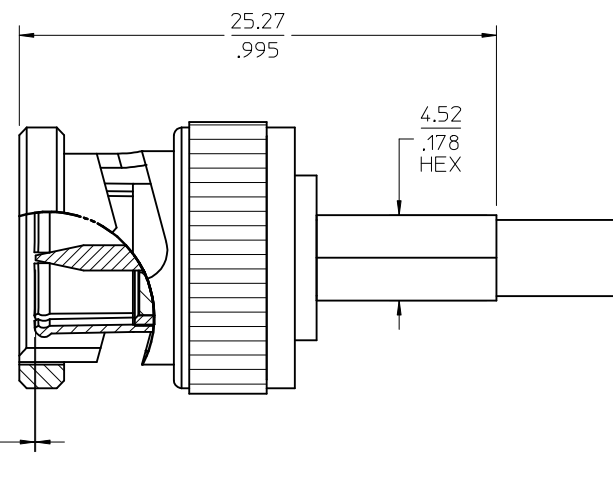
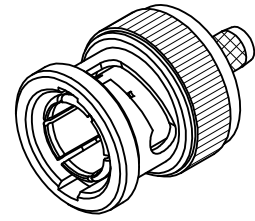
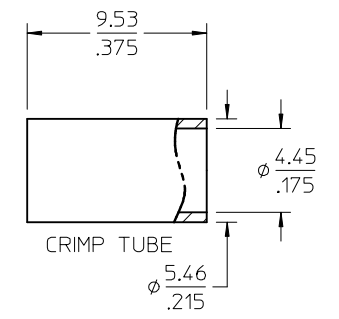
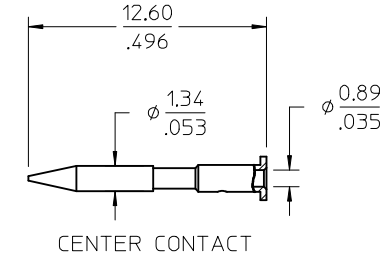
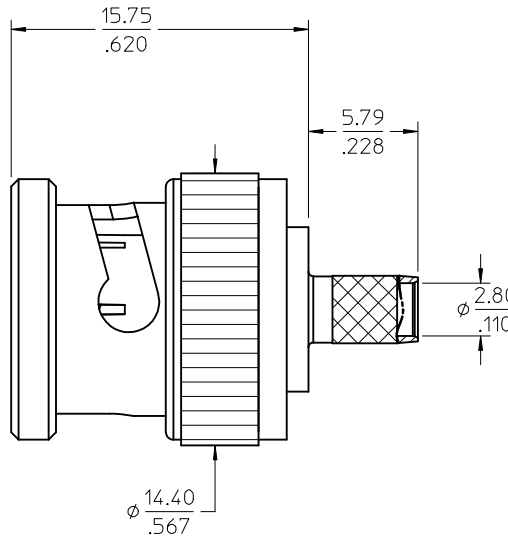
BODY: BRASS
PLATED NICKEL (70 μ-IN MIN)

CENTER CONTACT: BRASS
PLATED GOLD (SEE TABLE)

INSULATOR TEFLON

COUPLING NUT: ZINC
PLATED: NICKEL (70 μ-IN MIN)

CRIMP TUBE: BRASS
PLATED: NICKEL (100 μ-IN MIN)



| | |
|------------|-------------|
| 73171-4291 | 10 |
| 73171-4290 | 30 |
| PART NO. | FINISH CONT |
| | μ-IN GOLD |

| | |
|---------------|-----------------------|
| PS-89675-1030 | PRODUCT SPECIFICATION |
| SPECIFICATION | DESCRIPTION |

| | |
|---|--|
| CHG: UPDATE VIEW FOR BODY DELETE FOIL NOTE Ø.110 WAS Ø.109 | EC NO: URF2013-0449 |
| | DRWN: JWIENER 2013/02/04 CHKD: SSS 2013/02/04 APPR: JWIENER 2013/02/04 |
| REV: A1 | DESCRIPTION |

| | |
|-----------------|---------------------------------------|
| QUALITY SYMBOLS | GENERAL TOLERANCES (UNLESS SPECIFIED) |
| ▽=0 | mm INCH |
| ▽=0 | 4 PLACES ± --- ± --- |
| | 3 PLACES ± --- ± --- |
| | 2 PLACES ± --- ± --- |
| | 1 PLACE ± --- ± --- |
| | ANGULAR ± 2 ° |

| | |
|--------------|--------------|
| DRAWN BY | DATE |
| AROBERTSON | 2012/01/17 |
| CHECKED BY | DATE |
| SSS | 2012/01/17 |
| APPROVED BY | DATE |
| JWIENER | 2012/02/03 |
| MATERIAL NO. | DOCUMENT NO. |
| SEE TABLE | SD-73171-429 |

| | | | |
|-----------------|-------|--------------|------------------------|
| DIMENSION STYLE | SCALE | DESIGN UNITS | THIRD ANGLE PROJECTION |
| MM/IN | | METRIC | |

| | | | |
|---|--|--------------------|---------------------|
| TITLE | | MOLEX INCORPORATED | SHEET NO. 1 OF 1 |
| BNC PLUG STR 75 OHM CRIMP/CRIMP 1855A CABLE BNC-PC, EWR-4875 | | | |
| THIS DRAWING CONTAINS INFORMATION THAT IS PROPRIETARY TO MOLEX INCORPORATED AND SHOULD NOT BE USED WITHOUT WRITTEN PERMISSION | | | |