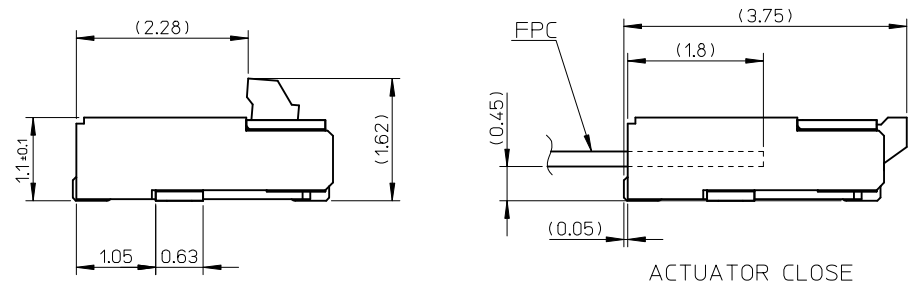


SECTION Z-Z SECTION Y-Y



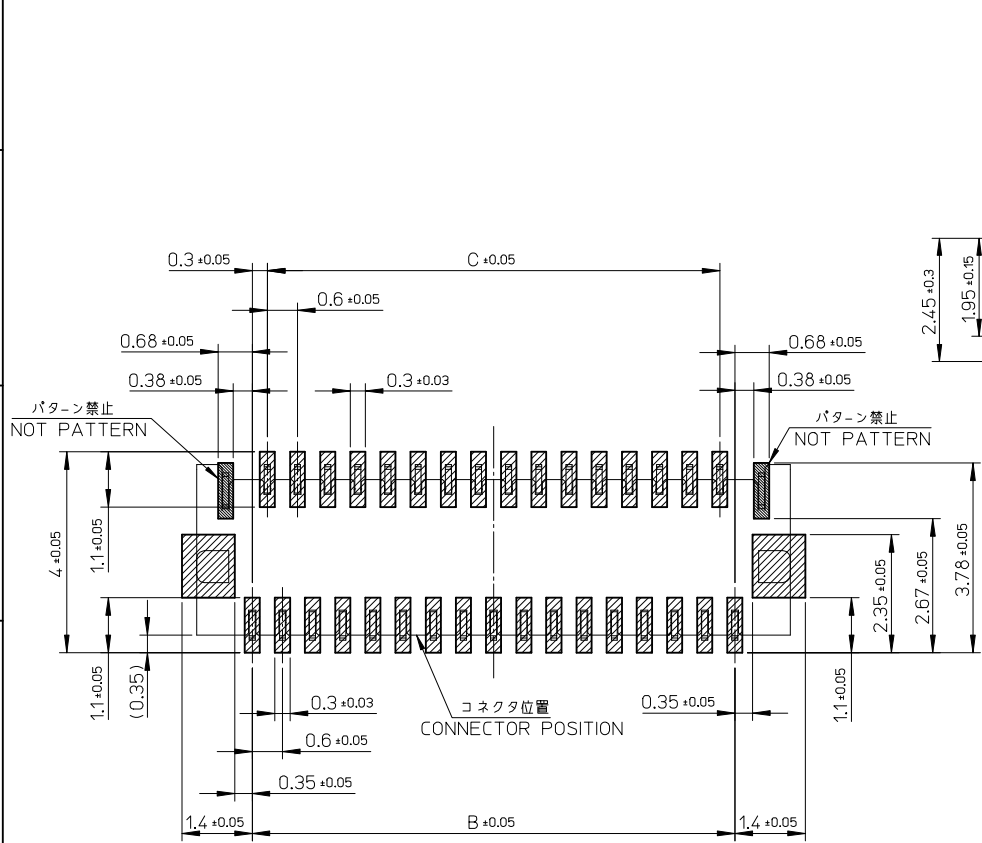
ACTUATOR CLOSE

部品構成

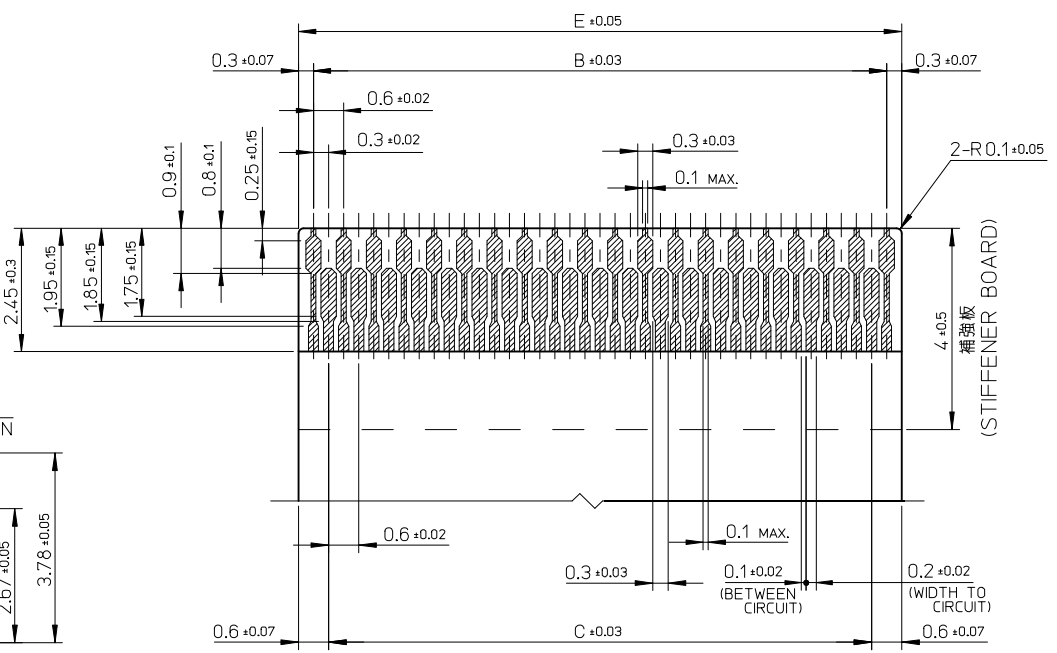
- ハウジング・・・材質：耐熱性樹脂 黒色 UL94V-0  
HOUSING MATERIAL :HEAT RESISTANT POLYMER BLACK UL94-V0
- 奇数ターミナル・・・材質：銅合金  
ODD TERMINAL MATERIAL :COPPER ALLOY  
処理：ニッケル下地部分金メッキ（接触部及びテール部）  
FINISH :PARTLY GOLD(CONTACT,TAIL) OVER NICKEL PLATING
- 偶数ターミナル・・・材質：銅合金  
EVEN TERMINAL MATERIAL:COPPER ALLOY  
処理：ニッケル下地部分金メッキ（接触部及びテール部）  
FINISH :PARTLY GOLD(CONTACT,TAIL) OVER NICKEL PLATING
- アクチュエータ・・・材質：耐熱性樹脂 灰色 UL94V-0  
ACTUATOR MATERIAL :HEAT RESISTANT POLYMER GRAY UL94-V0
- ネイル・・・材質：銅合金  
NAIL MATERIAL:COPPER ALLOY  
処理：ニッケル下地すずめっき  
FINISH :TIN OVER NICKEL PLATING

9.0	9.2	7.8	8.4	10.6	501616-2975	501616-2940	29
8.4	8.6	7.2	7.8	10.0	501616-2775	501616-2740	27
7.8	8.0	6.6	7.2	9.4	501616-2575	501616-2540	25
6.0	6.2	4.8	5.4	7.6	501616-1975	501616-1940	19
E	D	(C)	(B)	A	EMBOSSED TAPE ORDER No.		MATERIAL NO. CIRCUIT

REVISED EC NO: J2015-1263 DRWN: TAKAHASHI 04 2015/03/27 CHKD: TAKAHASHI 2015/03/27 APPR: YNOGAWA 2015/03/30	DESCRIPTION	GENERAL TOLERANCES (UNLESS SPECIFIED)	DIMENSION STYLE	SCALE	DESIGN UNITS	THIRD ANGLE PROJECTION
		0.25 UNDER ±0.03	MM ONLY	15:1	METRIC	
		0.25 OVER 0.5 UNDER ±0.05	DRAWN BY DATE	TITLE		
		0.5 OVER 1.0 UNDER ±0.1	K.TAKAHASHI 2006/07/28	0.3 FPC CONN. ZIF E/O HSG ASSY (H=1.1)		
		1.0 OVER 10 UNDER ±0.2	CHECKED BY DATE	DOCUMENT NO.		
	10 OVER 30 UNDER ±0.25	H.HIRATA 2006/07/28	SD-501616-005		SHEET NO.	
	30 OVER ±0.3	APPROVED BY DATE	SEE CHART		1 OF 2	
	ANGULAR ±3 °	M.SASAO 2006/07/28	THIS DRAWING CONTAINS INFORMATION THAT IS PROPRIETARY TO MOLEX INCORPORATED AND SHOULD NOT BE USED WITHOUT WRITTEN PERMISSION			
	DRAFT WHERE APPLICABLE MUST REMAIN WITHIN DIMENSIONS	MATERIAL NO.				



参考基板レイアウト (マウント面)  
P.C. BOARD PATTERN  
DIM.(REF.)



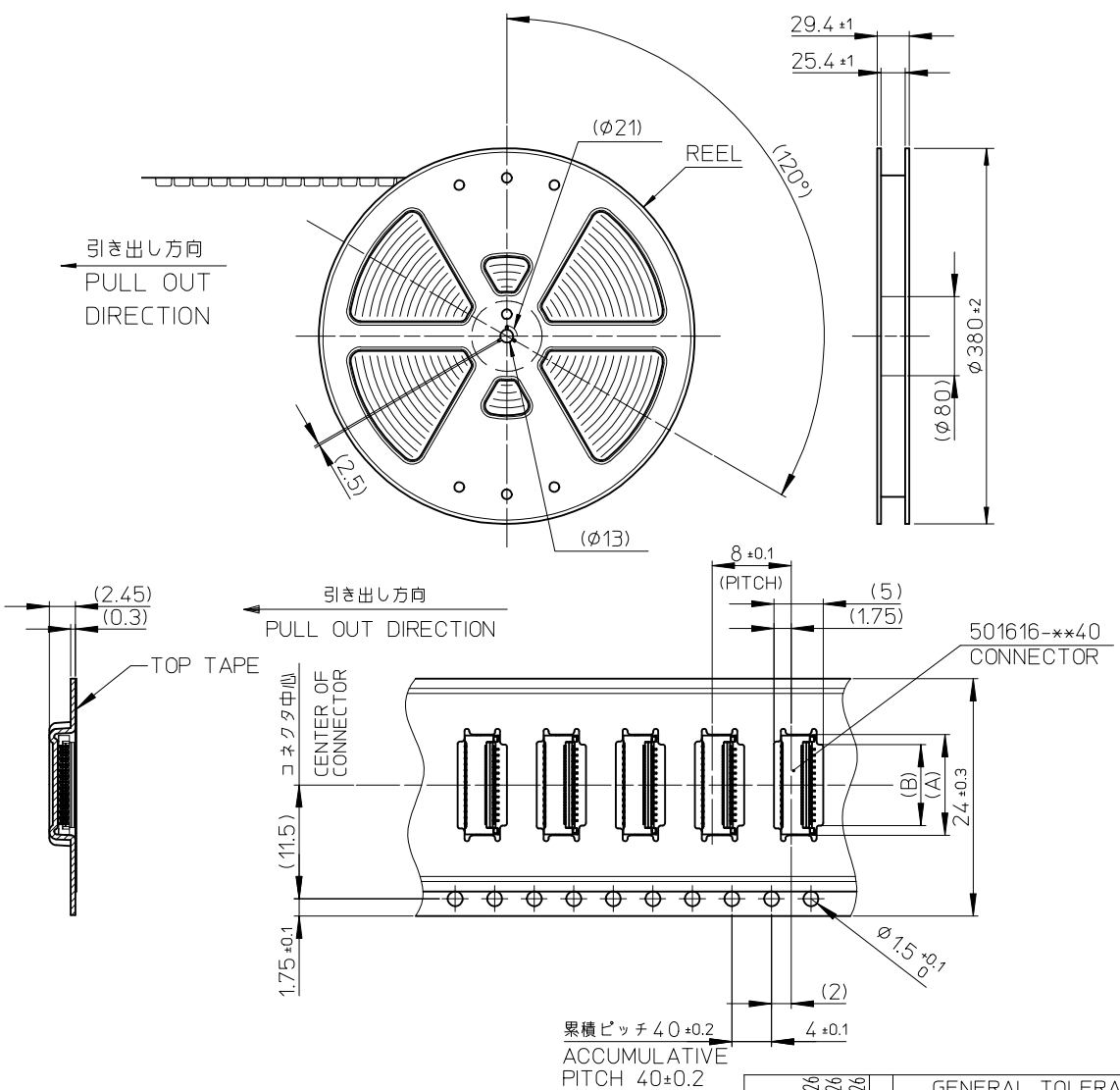
適合FPC推奨寸法  
仕上がり厚さ : 0.2±0.03  
APPLY FPC  
RECOMMENDED DIM.  
THICKNESS : 0.2±0.03

9.0	7.8	8.4	501616-2975	501616-2940	29
8.4	7.2	7.8	501616-2775	501616-2740	27
7.8	6.6	7.2	501616-2575	501616-2540	25
6.0	4.8	5.4	501616-1975	501616-1940	19
E	C	B	EMBOSSD TAPE ORDER No.	MATERIAL NO.	CIRCUIT

注記

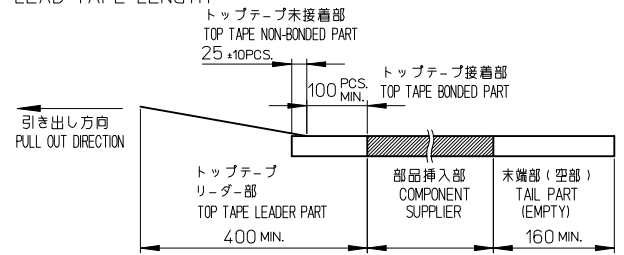
- 基板実装前にアクチュエータを操作しないで下さい。  
PLEASE DO NOT OPERATE THE ACTUATOR BEFORE MOUNTING.  
必ず基板に実装し、FPCを挿入してからアクチュエータを操作して下さい。  
PLEASE OPERATE THE ACTUATOR AFTER MOUNTING ON THE SUBSTRATE AND MATING FPC.
- ELV及びRoHS適合品  
ELV AND RoHS COMPLIANT
- 本製品は上面接触品です。下面接続で使用しないでください。  
THIS CONNECTOR IS UPPER CONTACT TYPE.  
PLEASE DO NOT USE AS LOWER CONTACT TYPE.

REVISED EC NO: J2015-1263 DRWN:MTAKAHASHI 04/2015/03/27 CHKD:K.TAKAHASHI 2015/03/27 APPR: YNOGAWA 2015/03/30	DESCRIPTION	GENERAL TOLERANCES (UNLESS SPECIFIED)	DIMENSION STYLE MM ONLY	SCALE 10:1	DESIGN UNITS METRIC	THIRD ANGLE PROJECTION
	REV	0.25 UNDER ±0.03 0.25 OVER 0.5 UNDER ±0.05 0.5 OVER 1.0 UNDER ±0.1 1.0 OVER 10 UNDER ±0.2 10 OVER 30 UNDER ±0.25 30 OVER ±0.3 ANGULAR ±3 °	DRAWN BY K.TAKAHASHI	DATE 2006/07/28	TITLE 0.3 FPC CONN. ZIF E/O HSG ASSY (H=1.1)	
			CHECKED BY H.HIRATA	DATE 2006/07/28		
			APPROVED BY M.SASAO	DATE 2006/07/28		
			MATERIAL NO.	DOCUMENT NO.	molex SD-501616-005	
A		DRAFT WHERE APPLICABLE MUST REMAIN WITHIN DIMENSIONS	SIZE A3	THIS DRAWING CONTAINS INFORMATION THAT IS PROPRIETARY TO MOLEX INCORPORATED AND SHOULD NOT BE USED WITHOUT WRITTEN PERMISSION		



NOTES

- 製品 (501616-\*\*40) の詳細寸法については、図面 SD-501616-005 をご参照下さい。  
IN THE PACKAGE, PART NO. 501616-\*\*40 DETAILED DIMENSIONS, REFER TO SALES DRAWING NO. SD-501616-005.
- 梱包数量 : 3000個/リール  
NUMBER OF CONNECTORS : 3000 PCS/REEL
- リードテープ長さ  
LEAD TAPE LENGTH



- 材料  
キャリアテープ : ポリスチレン (PS)  
トップテープ : PET, PE, PEF  
リール : ポリスチレン (PS) <リサイクル材を含む>  
MATERIAL  
CARRIER TAPE : POLYSTYRENE (PS)  
TOP TAPE : PET, PE, PEF  
REEL : POLYSTYRENE (PS) <RECYCLE MATERIAL CONTAINED>
- ELV及びRoHS適合品  
ELV AND RoHS COMPLIANT

8.8	10.8	501616-2975	29
8.2	10.2	501616-2775	27
7.6	9.6	501616-2575	25
5.8	7.8	501616-1975	19
B	A	EMBOSSED PACKAGE オーダー番号 ORDER No.	極数 CIRCUIT

エンボステープ内の製品の向き  
DIRECTION OF CONNECTOR IN  
EMBOSSED TAPE

REVISED EC NO: J2009-1784 DRWN:MKAWABATA 2009/01/26 CHKD:HSHIINOYAMA 2009/01/26 APPR:HSHIINOYAMA 2009/01/26 REV A	GENERAL TOLERANCES (UNLESS SPECIFIED)		DIMENSION STYLE MM ONLY		SCALE ---	DESIGN UNITS METRIC		THIRD ANGLE PROJECTION	
	10 UNDER	± ---	DRAWN BY K. TAKAHASHI	DATE 2006/7/28	TITLE 0.3 FPC CONN. B/F EMBSTP PKG H=1.1				
	10 OVER 30 UNDER	± ---	CHECKED BY H. HIRATA	DATE 2006/7/28	MOLEX INCORPORATED				
	30 OVER	± ---	APPROVED BY M. SASAO	DATE 2006/7/28	DOCUMENT NO. SD-501616-006				
ANGULAR ± --- °		DRAFT WHERE APPLICABLE MUST REMAIN WITHIN DIMENSIONS		MATERIAL NO. SEE CHART		SHEET NO. 1 OF 1		THIS DRAWING CONTAINS INFORMATION THAT IS PROPRIETARY TO MOLEX INCORPORATED AND SHOULD NOT BE USED WITHOUT WRITTEN PERMISSION	