



specifications

CRI	Voltage	Ambient Temp (F)	Dimensions	Material	IP Rating	Efficacy	Gross Weight	Beam Angle	Warranty	Case QTY
80	100-277 V	-40° - 141°	16.34" 10.39" 2.95"	copper free aluminum housing	IP 66	130 LM / W	16.53 lbs	120°	6 years	1 pcs

select your fixture

Part Number	Color Temp	Consumption	Lumen Output	Emergency Driver
GI-EPSTA-C750-C1D2	5000K	150W	19,500	No

Included accessory*

Accessories Part Number	Description
1.) GI-ACC-EPHMB	Hardware Mounting Bracket

Optional accessories*

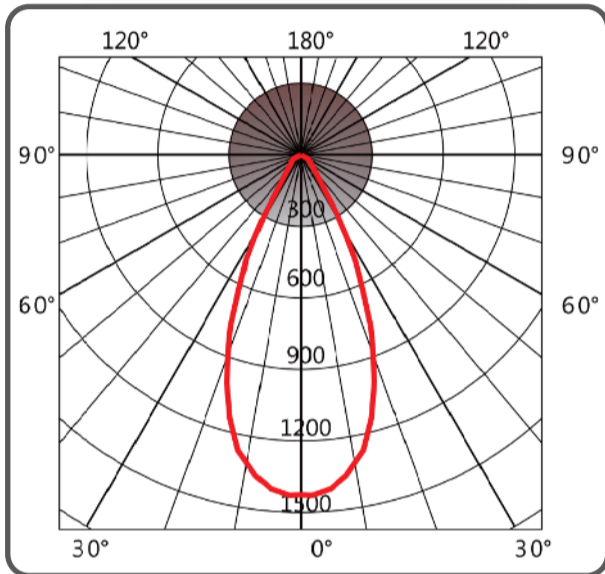
Accessories Part Number	Description
2.) GI-ACC-EPPMB	Pole Mounting Bracket & Adapter
3.) GI-ACC-EPSF	Slipfitter Mount & Adapter
4.) GI-ACC-EPAM	Arm Mount & Adapter
5.) GI-ACC-EPAAM	Adjustable Arm Mount & Adapter

- 1.)
- 2.)
- 3.)

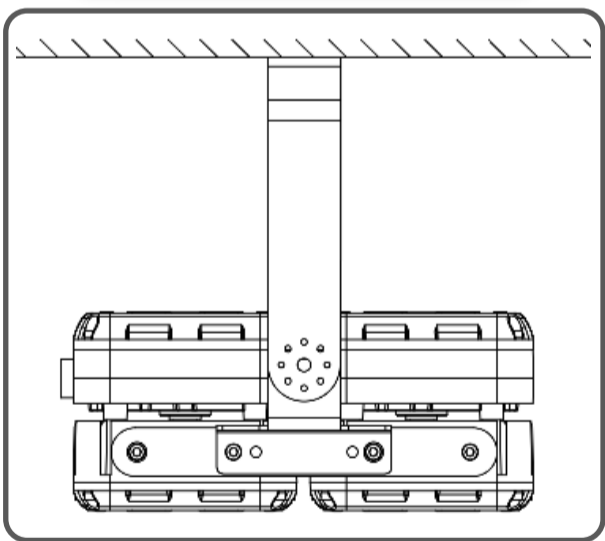
optional*

- 4.)
- 5.)

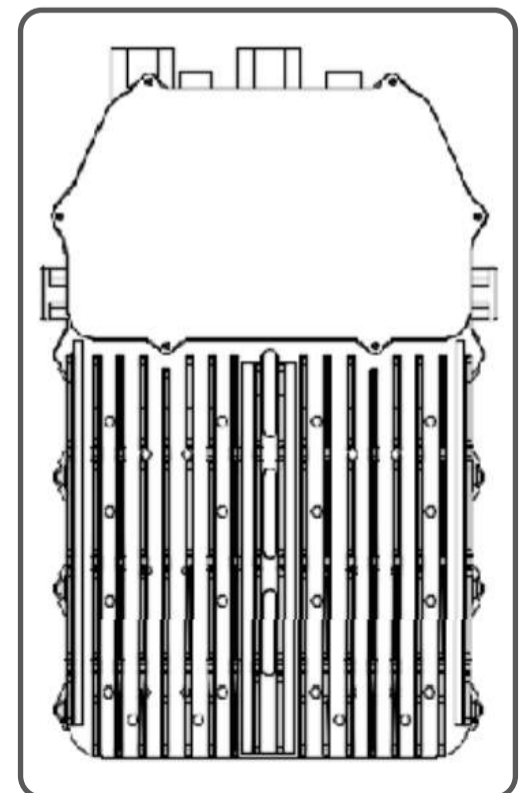
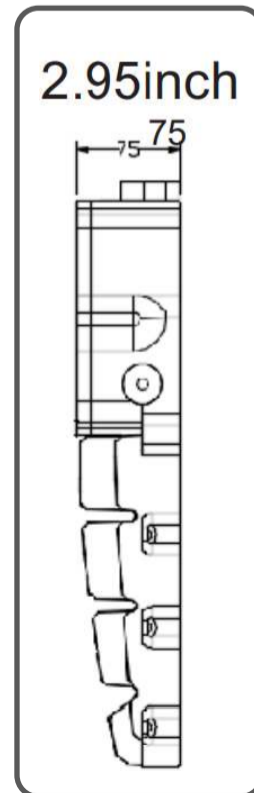
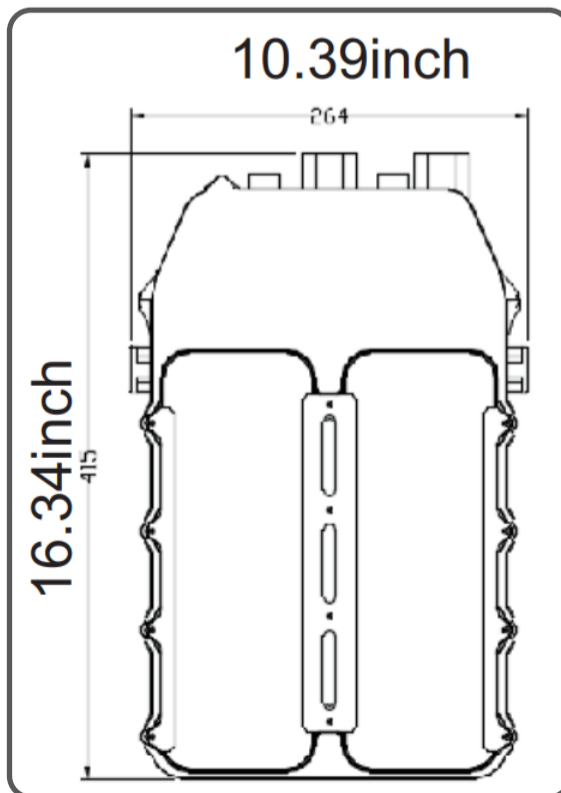
Distribution Diagram



Mounting Diagram



Dimensional Diagram



Features

- Rated for high temperatures, humidity, dust and vapor locations
- Trunnion mounting (default)
- Light weight design
- Heavy duty and high impact resistance
- Various installation options for particular applications
- Dimmable

Not all product variations listed on this page may be DLC qualified. Visit www.designlights.org/search to confirm qualification.

