

MATERIALS AND FINISHES:

BODY: BRASS
 OPTION 1:
 PLATED GOLD (1μ-in MIN)
 OVER NICKEL PHOSPHOR (80μ-in MIN)
 OVER COPPER (20μ-in MIN)
 OPTION 2:
 PLATED TRI-M (80μ-in MIN)
 OPTION 3:
 PLATED GOLD (8μ-in MIN)
 OVER NICKEL PHOSPHOR (80μ-in MIN)
 OVER COPPER (20μ-in MIN)

INSULATOR: PTFE

CENTER CONTACT: BRASS
 PLATED GOLD (8μ-in MIN)
 OVER NICKEL PHOSPHOR (80μ-in MIN)
 OVER COPPER (20μ-in MIN)

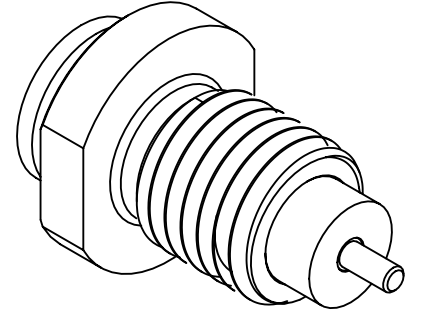
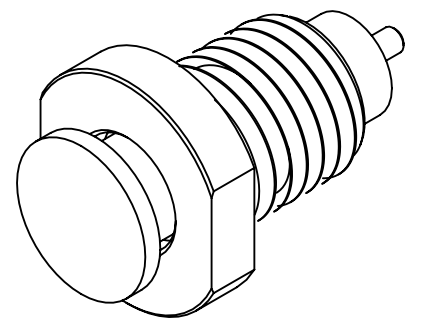
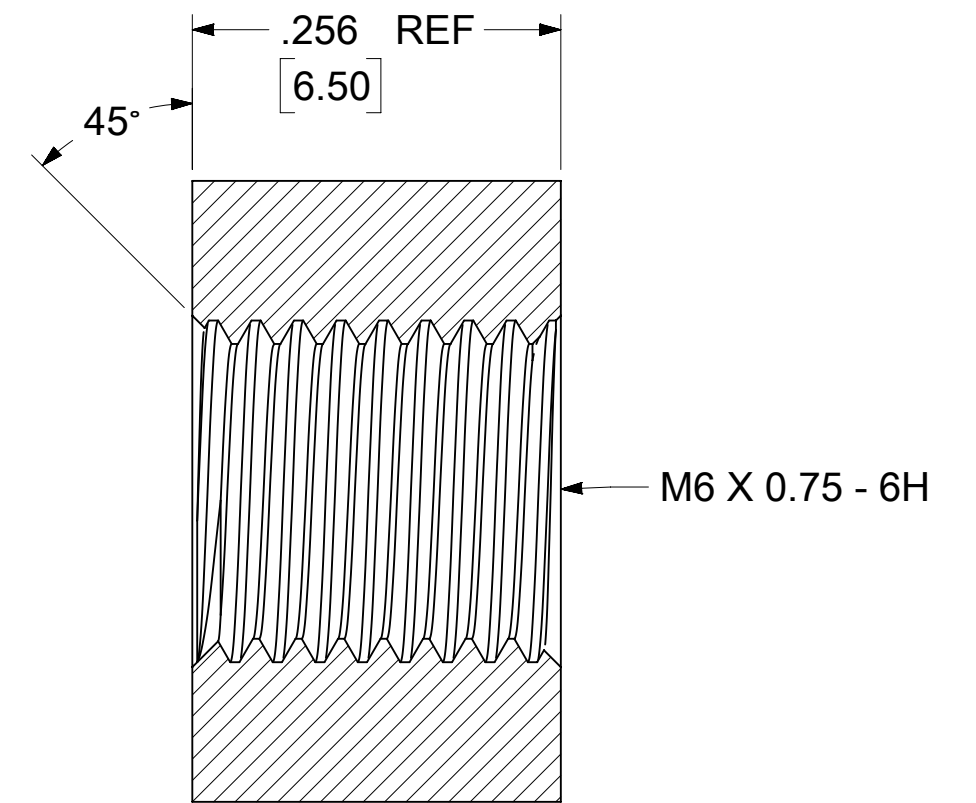
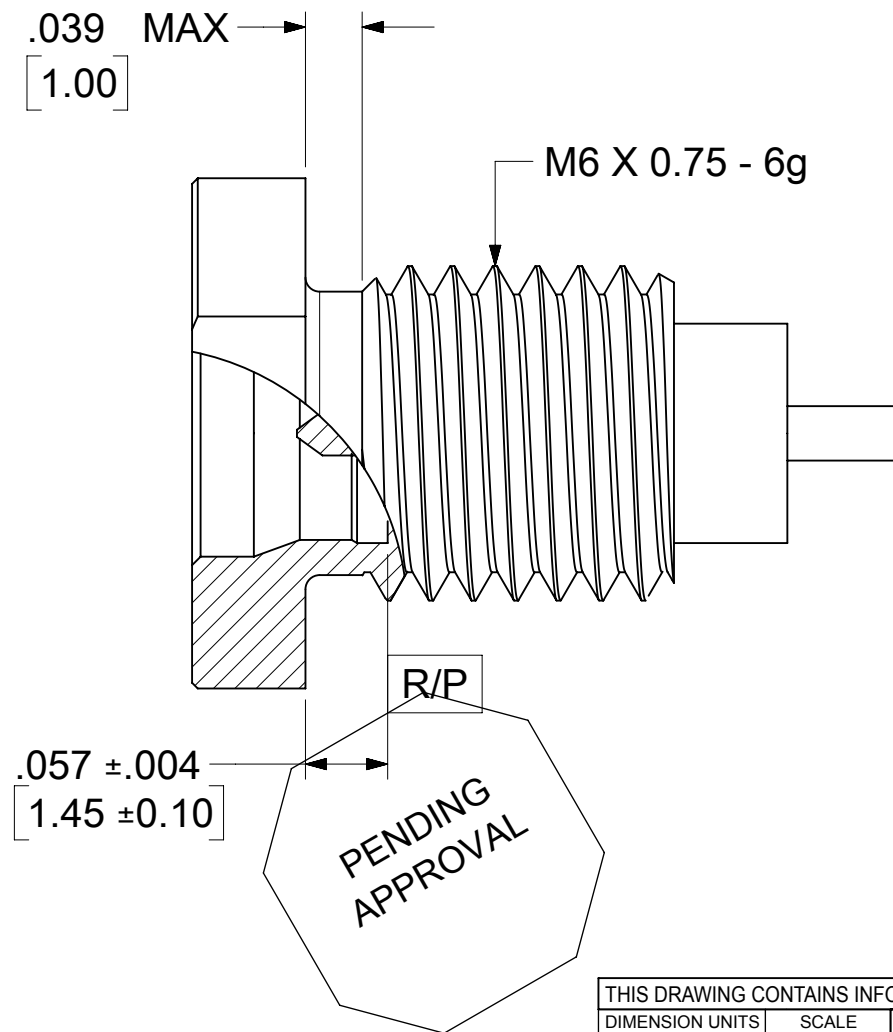
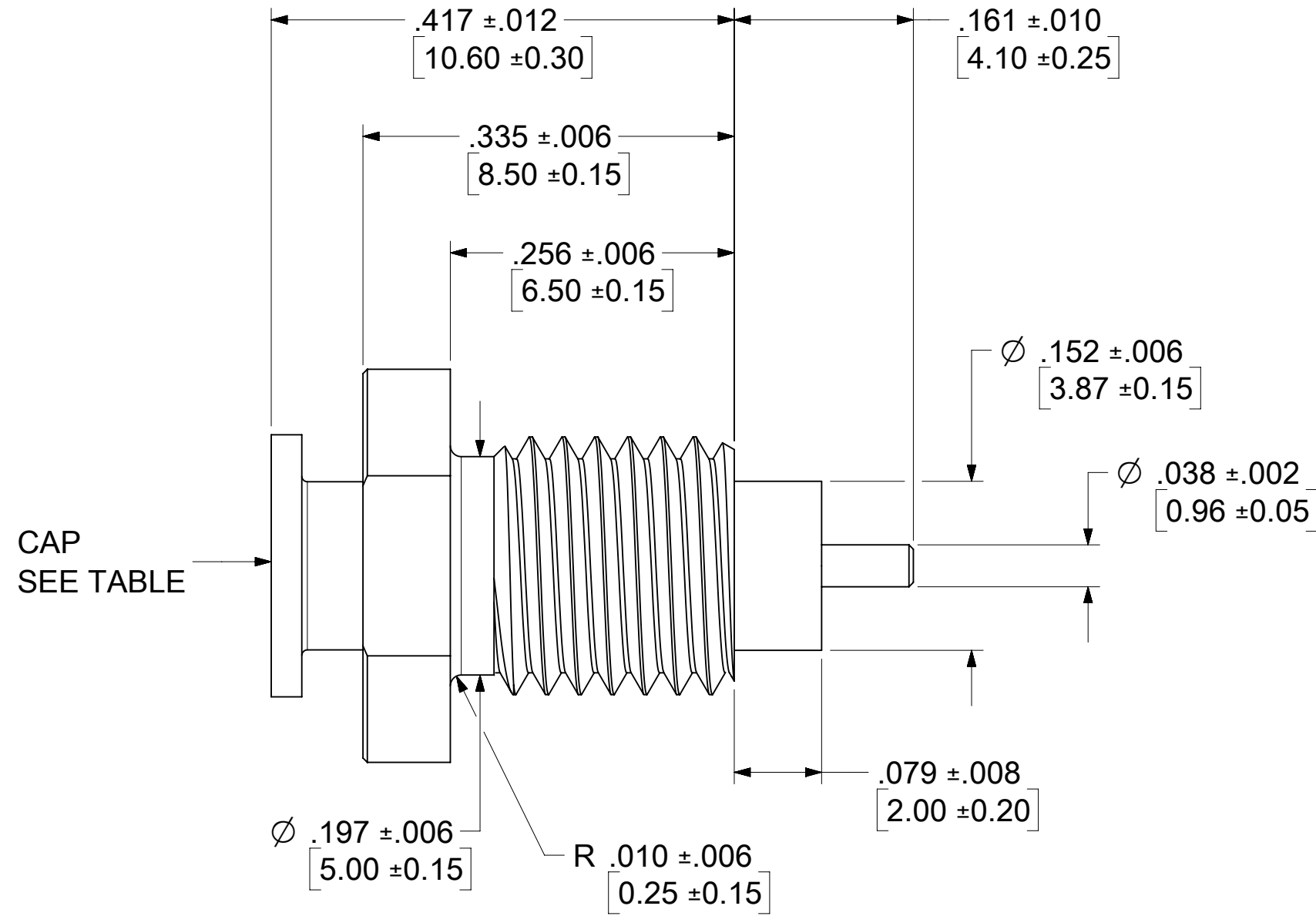
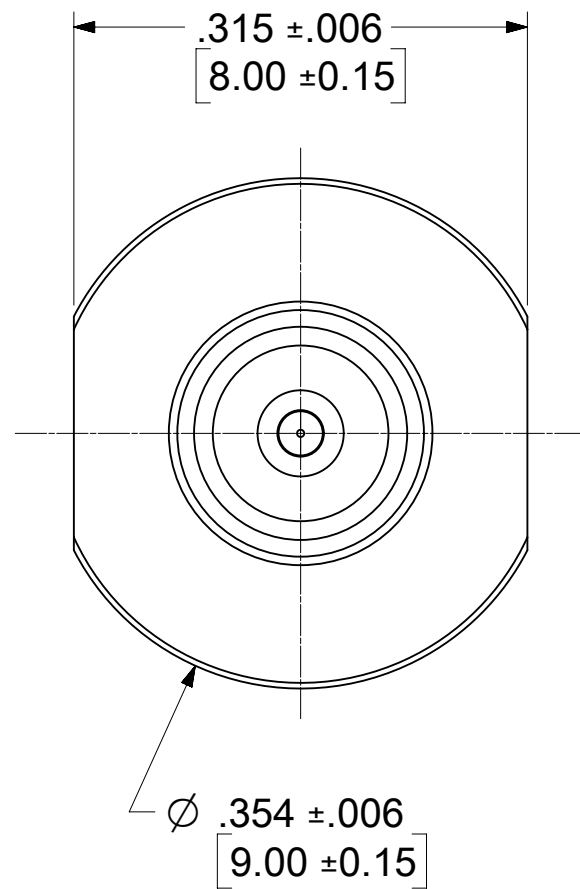
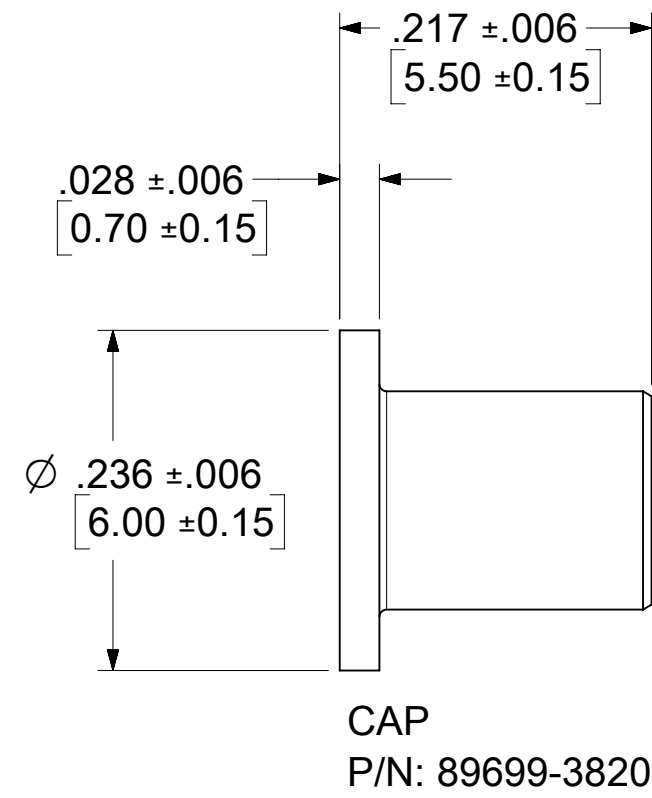
CAP: PTFE

ELECTRICAL CHARACTERISTICS:

NOMINAL IMPEDANCE: 50Ω
 FREQUENCY RANGE: 0 - 10 GHz
 VSWR (MAX) / RETURN LOSS (MAX)

DC - 4 GHz	4 - 6 GHz
1.07 / -30 dB	1.12 / -25 dB

INSERTION LOSS: 0.03 √F (GHz) dB MAX
 COAXIAL TRANSMISSION LINE ONLY



73420-5445	OPTION 3	89699-3820	TRAY
73420-5444			SINGLE PC
73420-5443	OPTION 2	N/A	TRAY
73420-5442			SINGLE PC
73420-5441	OPTION 1	89699-3820	TRAY
73420-5440			SINGLE PC
PART NO	BODY FINISH	CAP	PACKAGING

PS-89675-3760	ELEC/MECH PERFORMANCE
SPECIFICATION	DESCRIPTION

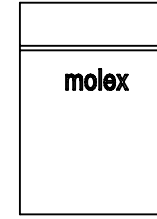
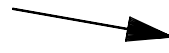
DOCUMENT STATUS	RQ	RELEASE DATE	
-----------------	----	--------------	--

THIS DRAWING CONTAINS INFORMATION THAT IS PROPRIETARY TO MOLEX ELECTRONIC TECHNOLOGIES, LLC AND SHOULD NOT BE USED WITHOUT WRITTEN PERMISSION

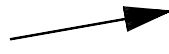
DIMENSION UNITS	SCALE	CURRENT REV DESC: CORRECT TYPO	molex		
INCH/MM	NTS				
GENERAL TOLERANCES (UNLESS SPECIFIED)			SMP-MAX EVO RECEPTACLE STR SNAP TYPE PANEL MOUNT M6X0.75		
ANGULAR TOL	± 2.0°	EC NO: 708622	PRODUCT CUSTOMER DRAWING		
4 PLACES	±	DRWN: RYEH	DOCUMENT NUMBER		
3 PLACES	±	CHK'D: 2022/05/31	DOC TYPE		
2 PLACES	± 0.25	APPR:	DOC PART		
1 PLACE	±	INITIAL REVISION:	REVISION		
0 PLACES	±	DRWN: RYEH	SD-73420-544		
		APPR: MHUANG	PSD 001 A7		
DRAFT WHERE APPLICABLE MUST REMAIN WITHIN DIMENSIONS	THIRD ANGLE PROJECTION	DRAWING	MATERIAL NUMBER	CUSTOMER	SHEET NUMBER
		C-SIZE	SEE TABLE	GENERAL MARKET	1 OF 3
		SERIES			
		73420			



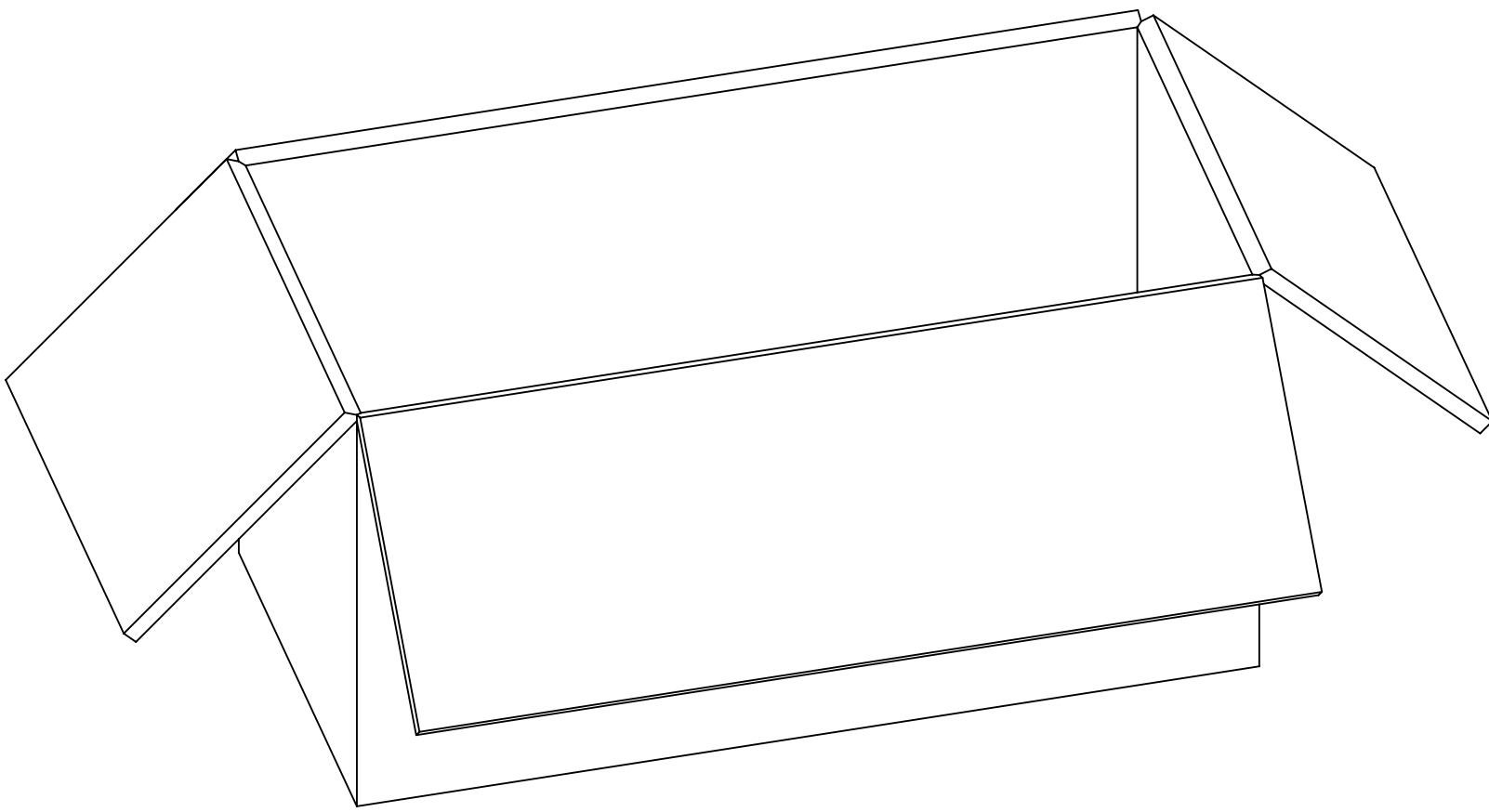
P/N: 73420-5440
OR
P/N: 73420-5444



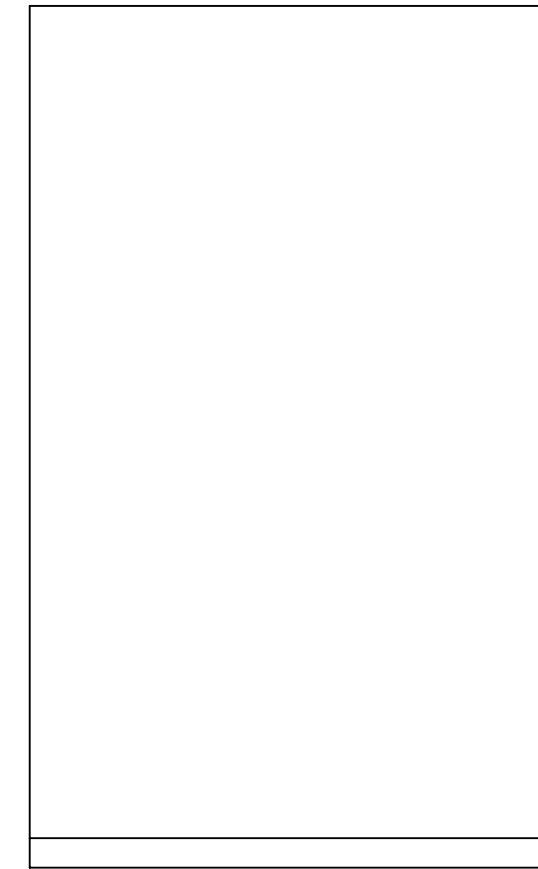
1 SET PER BAG
P/N: 89707-0317



P/N: 73420-5442



500 SETS PER CARTON BOX
P/N: 96707-0002



50 SETS PER BAG
P/N: 89707-0176

PENDING APPROVAL

THIS DRAWING CONTAINS INFORMATION THAT IS PROPRIETARY TO MOLEX ELECTRONIC TECHNOLOGIES, LLC AND SHOULD NOT BE USED WITHOUT WRITTEN PERMISSION

DIMENSION UNITS		SCALE		CURRENT REV DESC: CORRECT TYPO				molex							
INCH/MM		NTS													
GENERAL TOLERANCES (UNLESS SPECIFIED)				EC NO: 708622 DRWN: RYEH CHK'D: APPR:				SMP-MAX EVO RECEPTACLE STR SNAP TYPE PANEL NOUNT M6X0.75							
ANGULAR TOL ± 2.0°								2022/05/31							
4 PLACES ±				INITIAL REVISION:				PRODUCT CUSTOMER DRAWING							
3 PLACES ±								DOCUMENT NUMBER							
2 PLACES ± 0.25				DRWN: RYEH				SD-73420-544							
1 PLACE ±				APPR: MHUANG				PSD 001 A7							
0 PLACES ±				2013/11/24				DOC TYPE							
DRAFT WHERE APPLICABLE MUST REMAIN WITHIN DIMENSIONS				THIRD ANGLE PROJECTION		DRAWING		SERIES		MATERIAL NUMBER		CUSTOMER		SHEET NUMBER	
						C-SIZE		73420		SEE TABLE		GENERAL MARKET		2 OF 3	

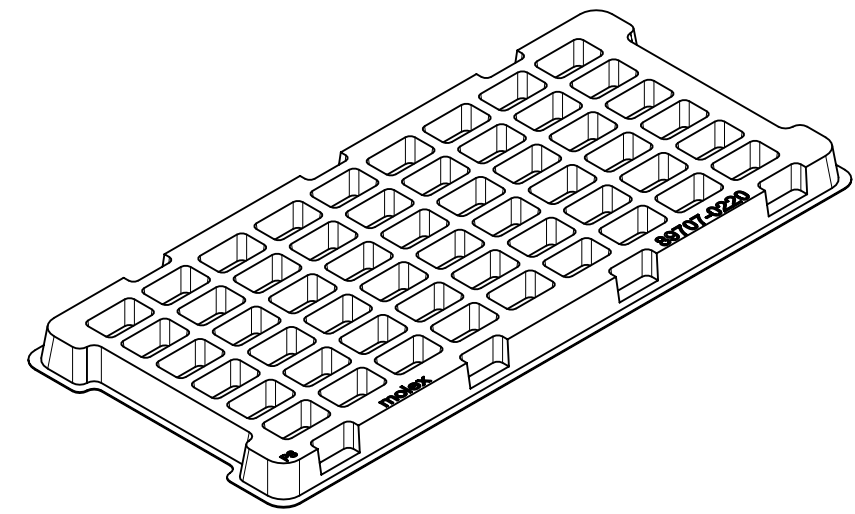
DOCUMENT STATUS	RQ	RELEASE DATE	
-----------------	----	--------------	--



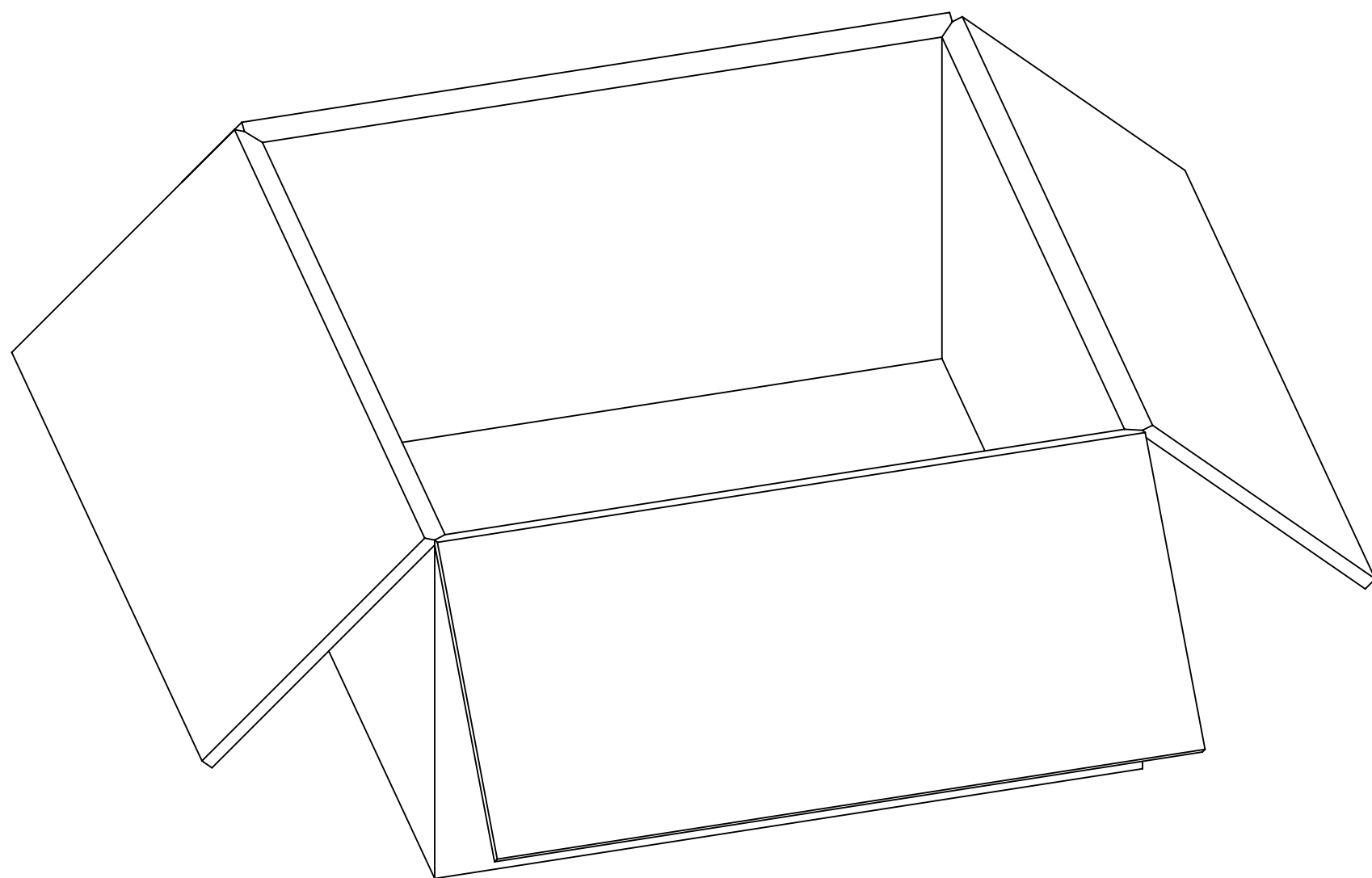
P/N: 73420-5441
OR
P/N: 73420-5445



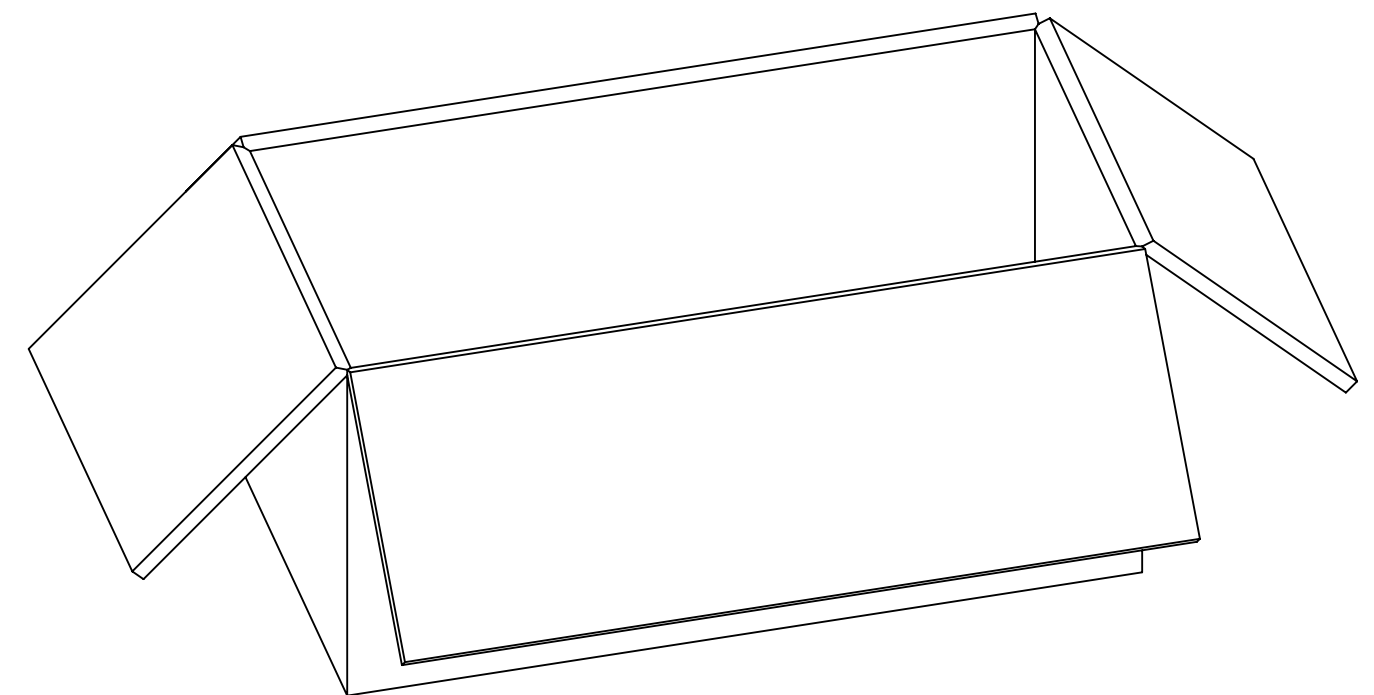
P/N: 73420-5443



54 SETS PER TRAY
P/N: 89707-0220



1080 SETS PER OUTER
CARTON BOX
P/N: 96708-0005



540 SETS PER INNER
CARTON BOX
P/N: 96707-0001

PENDING
APPROVAL

THIS DRAWING CONTAINS INFORMATION THAT IS PROPRIETARY TO MOLEX ELECTRONIC TECHNOLOGIES, LLC AND SHOULD NOT BE USED WITHOUT WRITTEN PERMISSION

DIMENSION UNITS		SCALE		CURRENT REV DESC: CORRECT TYPO				molex							
INCH/MM		NTS													
GENERAL TOLERANCES (UNLESS SPECIFIED)				EC NO: 708622				SMP-MAX EVO RECEPTACLE STR SNAP TYPE PANEL NOUNT M6X0.75							
ANGULAR TOL ± 2.0°				DRWN: RYEH 2022/05/31											
4 PLACES ±				CHK'D:				PRODUCT CUSTOMER DRAWING							
3 PLACES ±				APPR:											
2 PLACES ± 0.25				INITIAL REVISION:				DOCUMENT NUMBER							
1 PLACE ±				DRWN: RYEH 2013/11/24											
0 PLACES ±				APPR: MHUANG 2014/01/15				SD-73420-544		DOC TYPE		DOC PART		REVISION	
DRAFT WHERE APPLICABLE MUST REMAIN WITHIN DIMENSIONS				THIRD ANGLE PROJECTION		DRAWING		SERIES		MATERIAL NUMBER		CUSTOMER		SHEET NUMBER	
						C-SIZE		73420		SEE TABLE		GENERAL MARKET		3 OF 3	

DOCUMENT STATUS	RQ	RELEASE DATE	
-----------------	----	--------------	--