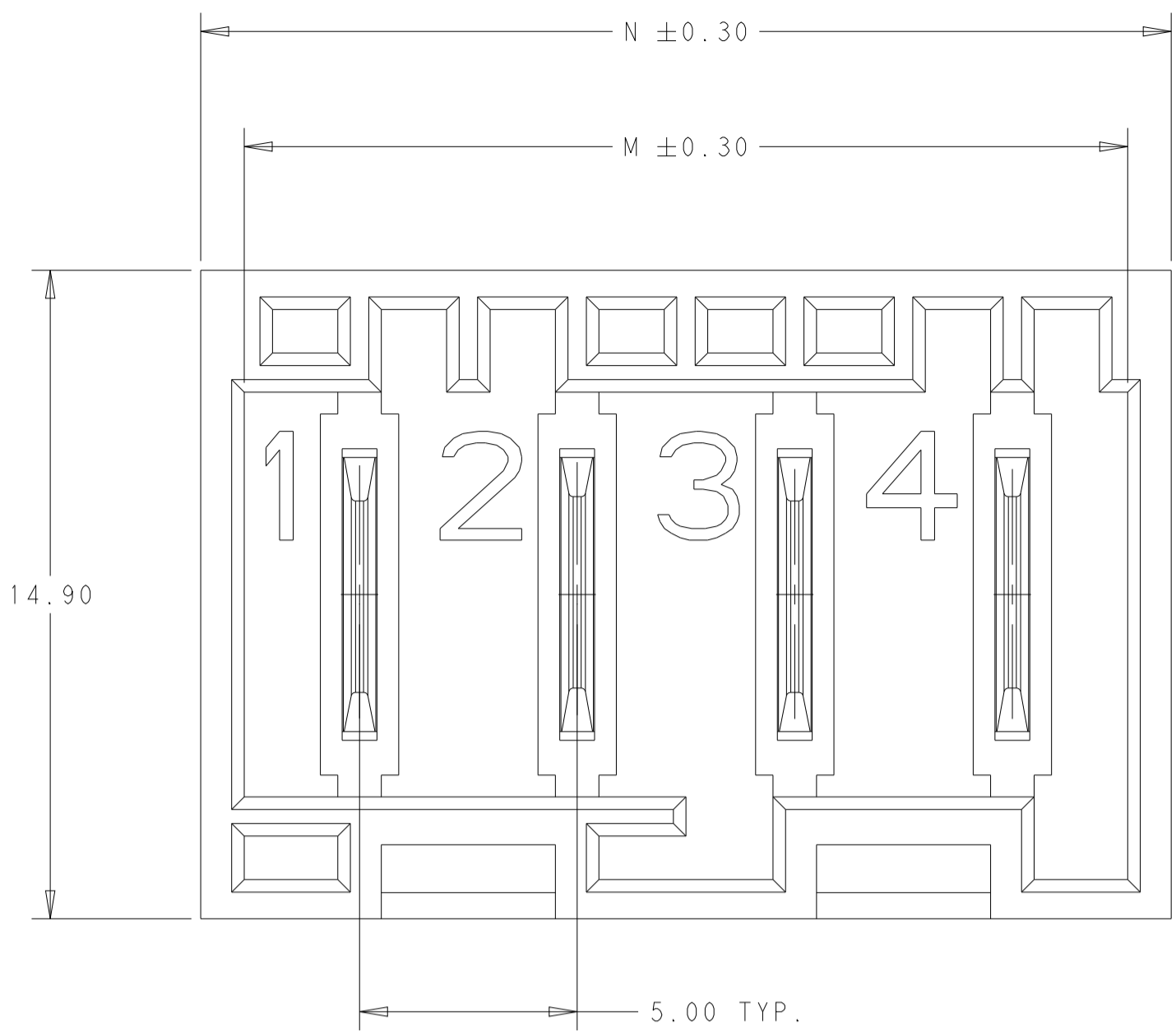
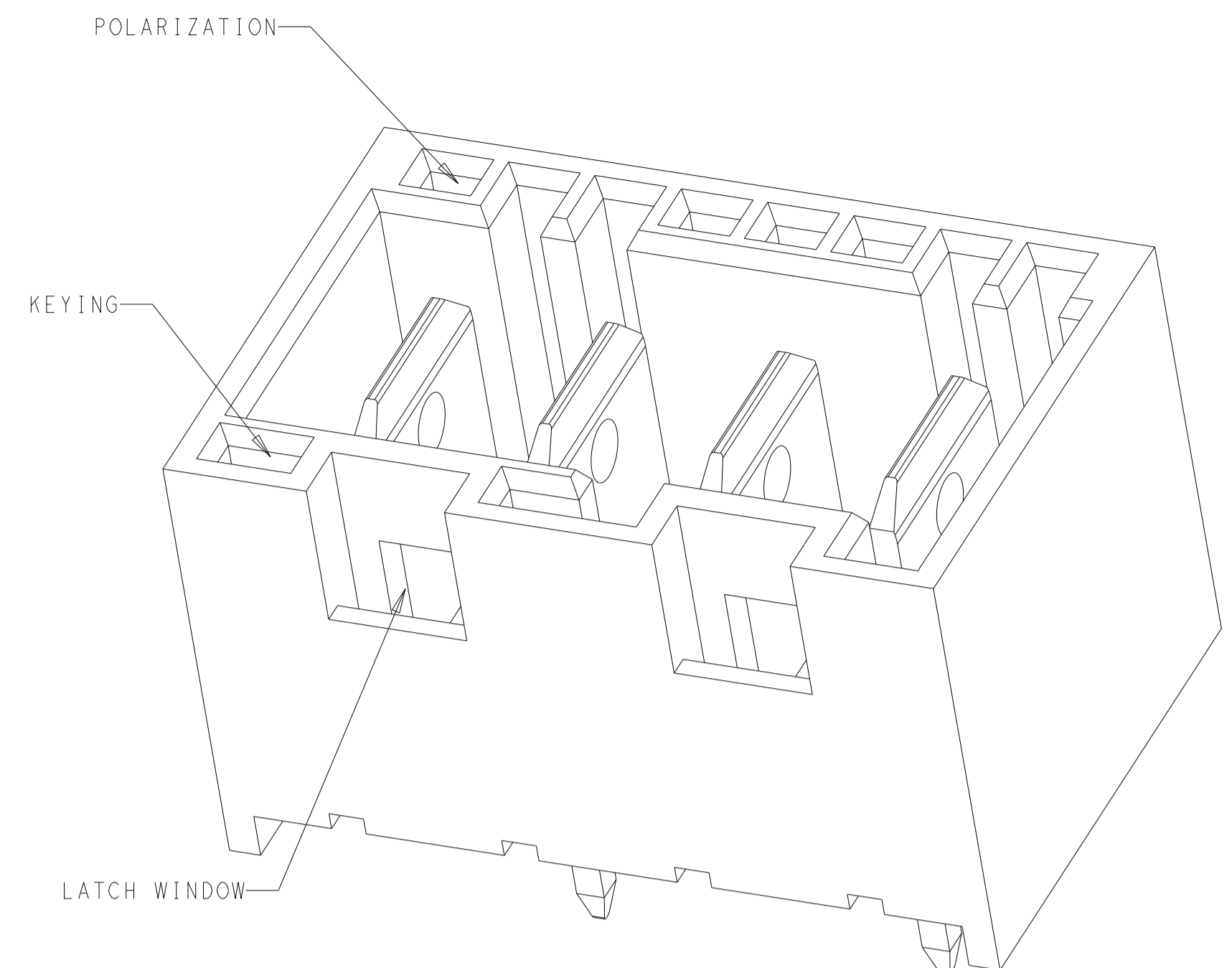
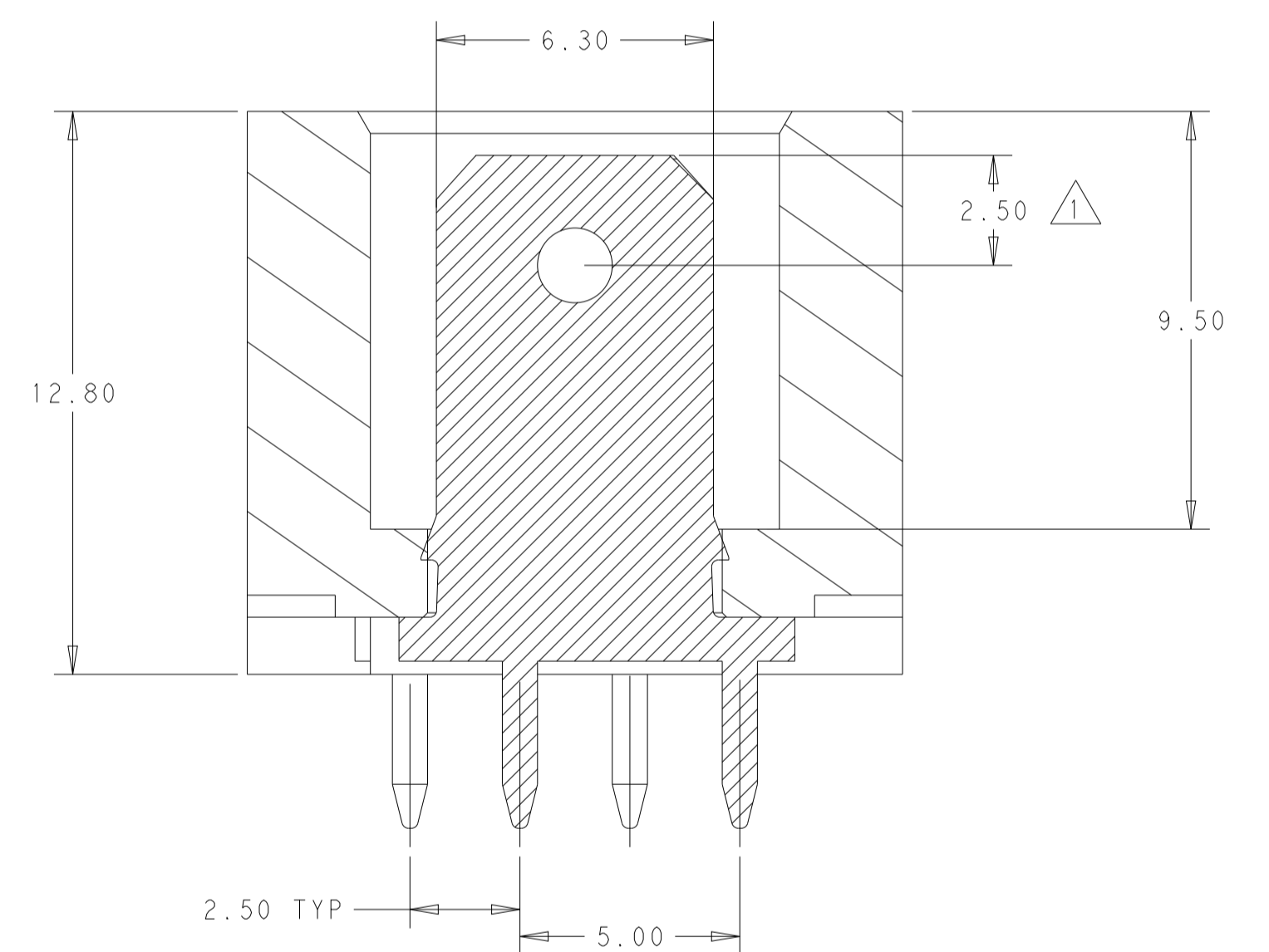
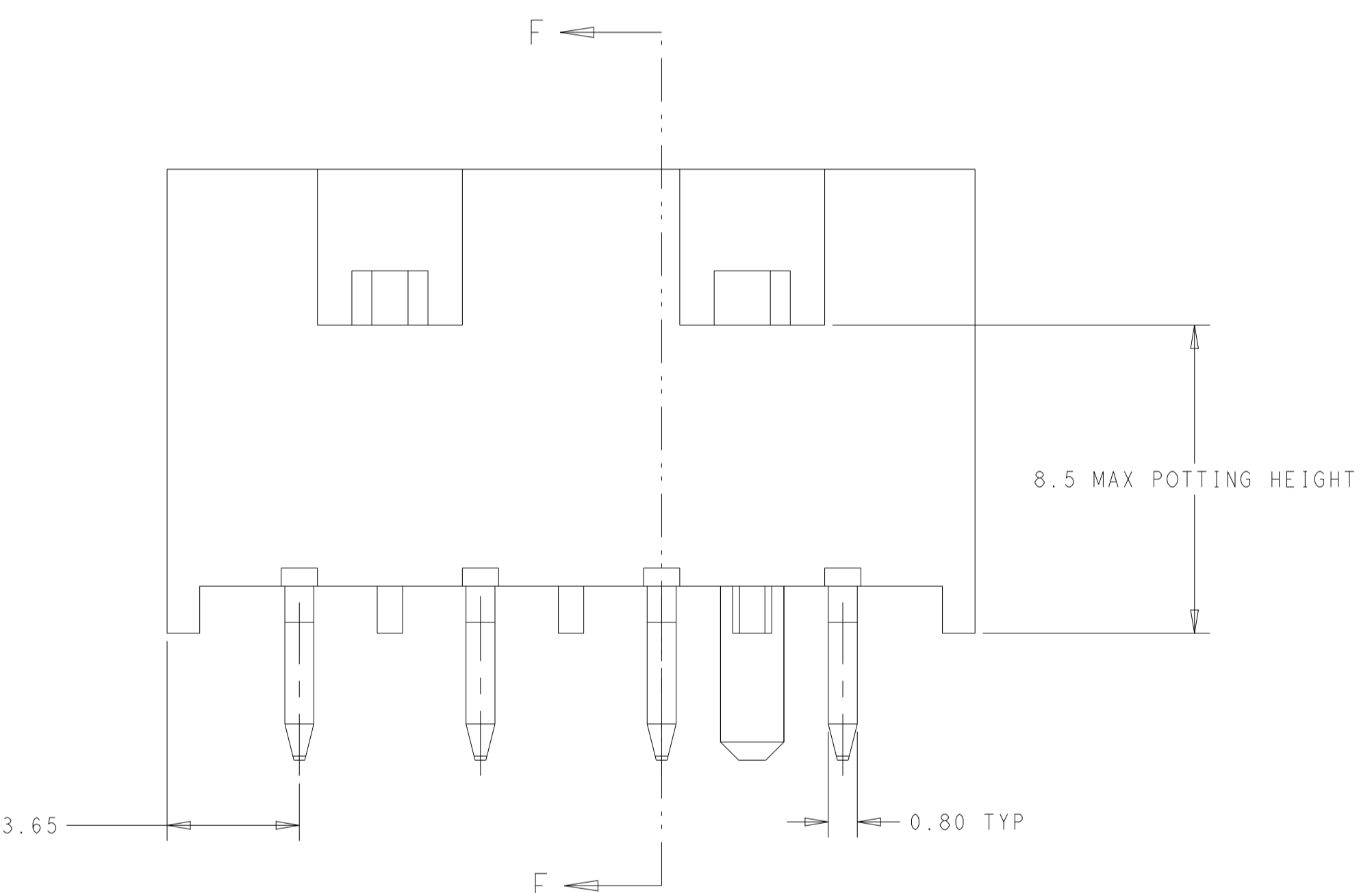
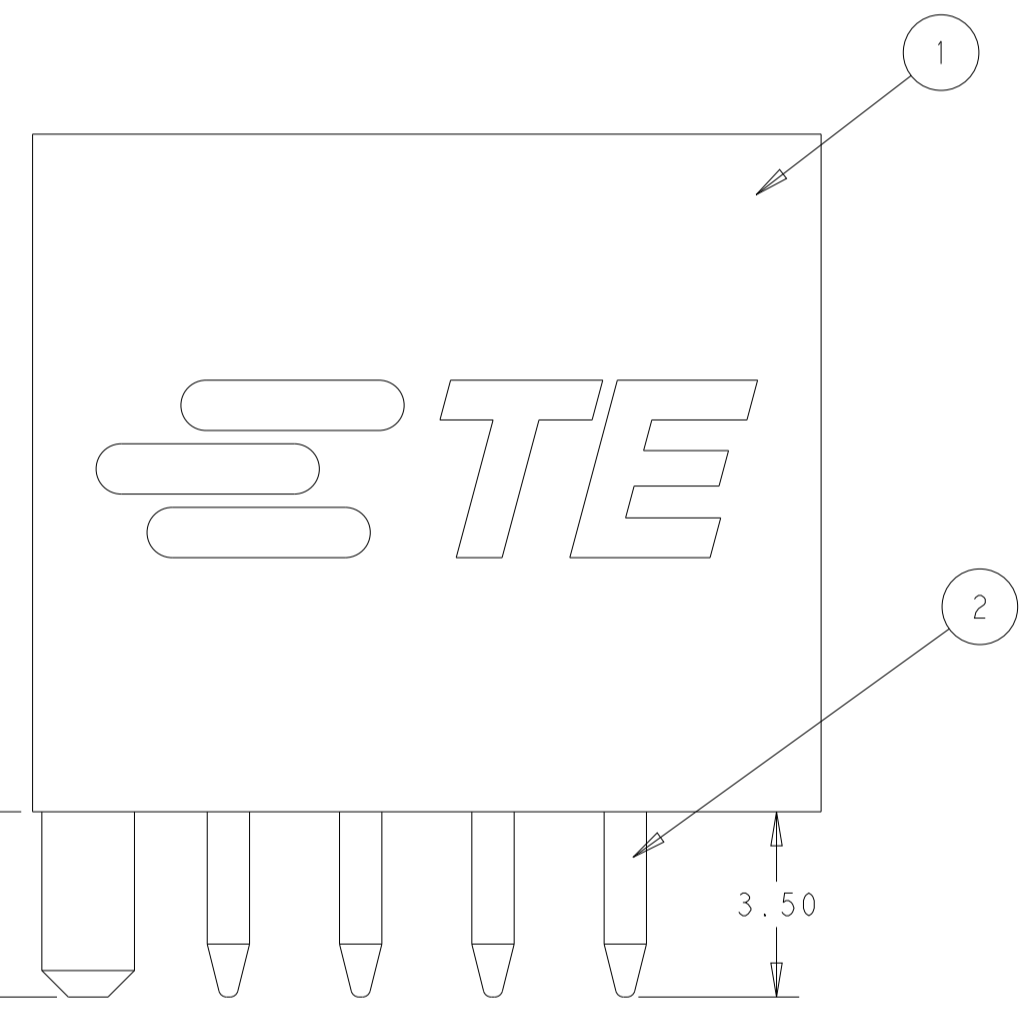


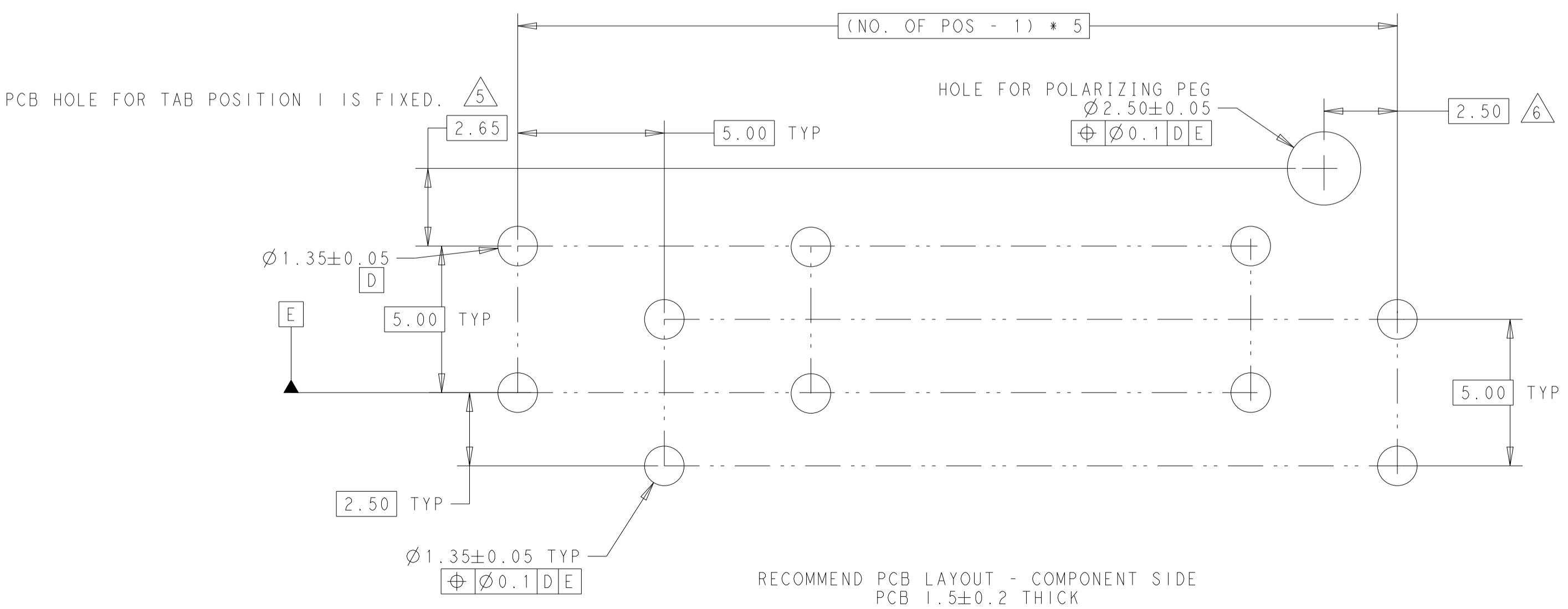
REVISIONS					
P	LTN	DESCRIPTION	DATE	DMN	APVD
A6	ECR-20-100547		16OCT2020	LZ	FL
B	ECR-21-100869		31MAR2021	PJ	FL
B1	ECR-21-105673		06JUL2021	LZ	FL
B2	ECR-21-118862		10NOV2021	SM	FL



- NOTES:
- 1 HOUSING HAS RAST 5 COMPLIANT KEYING, LATCHING, AND POLARIZATION TAB IS 6.30 X 0.8, HOWEVER THE LOCATION OF THE TAB HOLE DOES NOT MEET DIN 46244
 - 2 SEE SHEET 2 FOR AVAILABLE CONFIGURATIONS
 - 3 MATERIAL: HOUSING, NYLON, UL94 V0, 750°C GWT NO FLAME
CONTACT: COPPER ALLOY, 0.8MM THICK
 - 4 FINISH: CONTACTS, MATTE TIN PLATING OVERALL, NICKEL UNDER-PLATING
 - 5 INVOLVED PARTS NOT HAVE THE SAME PCB LAYOUT AS GENERAL VERSION. PCB TABS INSERTED IN A STAGGERED PATTERN BEGINNING WITH POSITION 1 AS SHOWN (PCB HOLE POSITION FOR TAB 1 IS FIXED).
 - 6 DIMENSION OFF OF LAST POSITION REGARDLESS OF EVEN OR ODD POSITION HEADER
 - 7 PACKAGING: LOOSE PIECE
 - 8 PRELIMINARY PART - NOT RELEASED FOR PRODUCTION THIS PRODUCT HAS NOT COMPLETED QUALIFICATION TESTING
 - 9 INVOLVED PARTS HAVE NOT THE SAME PCB LAYOUT



SECTION F-F



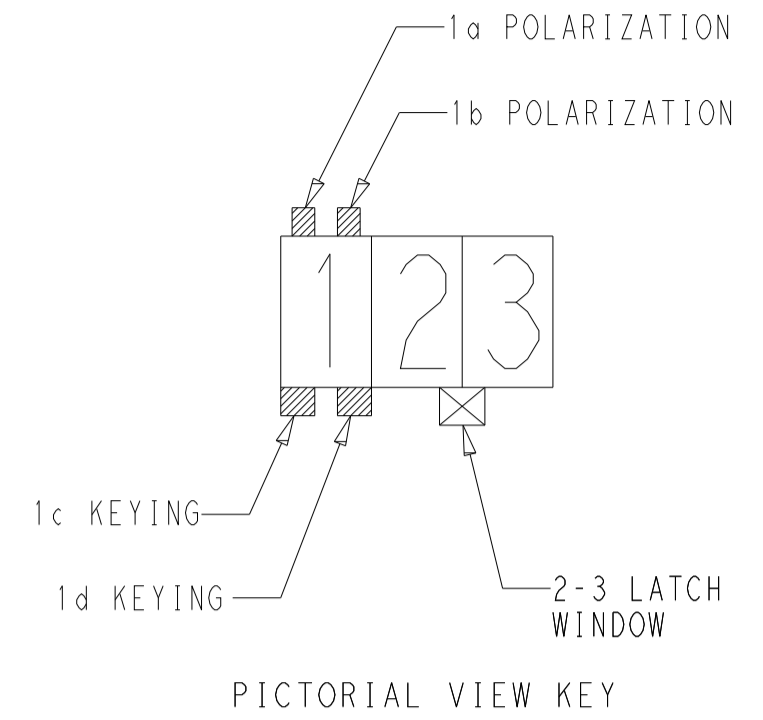
TOOL MARK ON TERMINAL SURFACE IS ACCEPTABLE WHICH DOES NOT IMPACT FUNCTION

25.30	27.30	5
20.30	22.30	4
15.30	17.30	3
10.30	12.30	2
M	N	NO. OF POS.

THIS DRAWING IS A CONTROLLED DOCUMENT.

DMN: J. POTERJOY 09APR2015	TE Connectivity
CHK: F. LUPO 09APR2015	
APVD: R. ROBONE 09APR2015	NAME: RAST 5 HDR ASSY, POSITIVE-LOCK SHROUDED, VERTICAL
PRODUCT SPEC: 108-106080	SIZE: A1
APPLICATION SPEC:	CAGE CODE: -
WEIGHT: -	DRAWING NO: C=2292457
CUSTOMER DRAWING	SCALE: 7:1
	SHEET 1 OF 2
	REV: B3

REVISIONS				
P	LTN	DESCRIPTION	DATE	APVD
-		SEE SHEET 1	-	-



	NATURAL	5	POSITIVE-LOCK TAB CONTACT WITH MATTE TIN PLATING	1	RAST 5 TAB HEADER HOUSING	5	1-2292457-5	/
	NATURAL	5					2292457-5	/
	NATURAL	4					3-2292457-4	3-2390868-4
	NATURAL	4					1-2292457-4	/
	NATURAL	4					2292457-4	2390868-4
	NATURAL	3					1-2292457-3	/
	NATURAL	3					2292457-3	2390868-3
	BLACK	2					3-2292457-2	/
	NATURAL	2					1-2292457-2	1-2390868-2
	NATURAL	2					2292457-2	2390868-2
LAYOUT	COLOR	QTY	TAB CONTACT	QTY	HEADER HOUSING	NO. OF POS	RESIN A	RESIN B
							TE PART NO.	

THIS DRAWING IS A CONTROLLED DOCUMENT.

DIMENSIONS: mm	TOLERANCES UNLESS OTHERWISE SPECIFIED:	0 PLC ±	1 PLC ±	2 PLC ±0.25	3 PLC ±	4 PLC ±	ANGLES ±3°	FINISH
MATERIAL: SEE NOTES	SEE NOTES	DWG: J. POTERJOY 09APR2015		CHK: F. LUPO 09APR2015		APVD: R. ROBONE 09APR2015		NAME: RAST 5 HDR ASSY, POSITIVE-LOCK SHROUDED, VERTICAL
CUSTOMER DRAWING		SIZE: A1	CAGE CODE: -	DRAWING NO: C=2292457	RESTRICTED TO: -	SCALE: 7:1	SHEET: 2 OF 2	REV: B3

4805 (3/13)