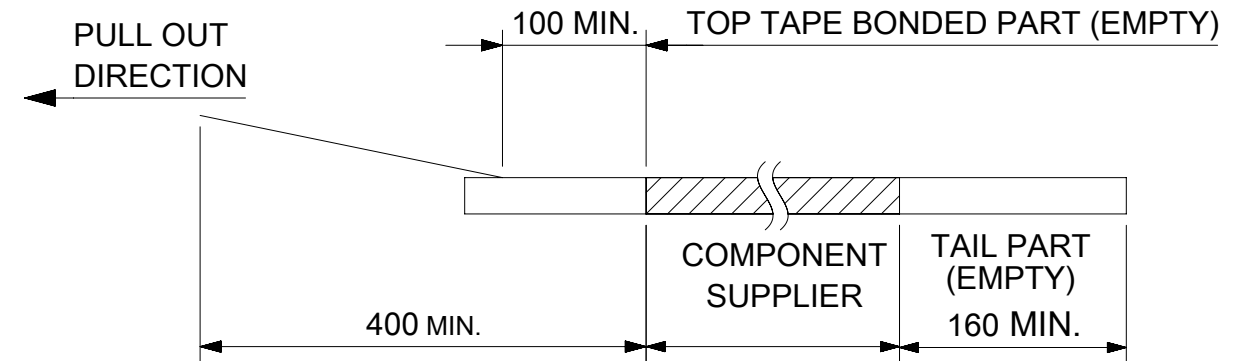


DETAIL "D"

NOTES

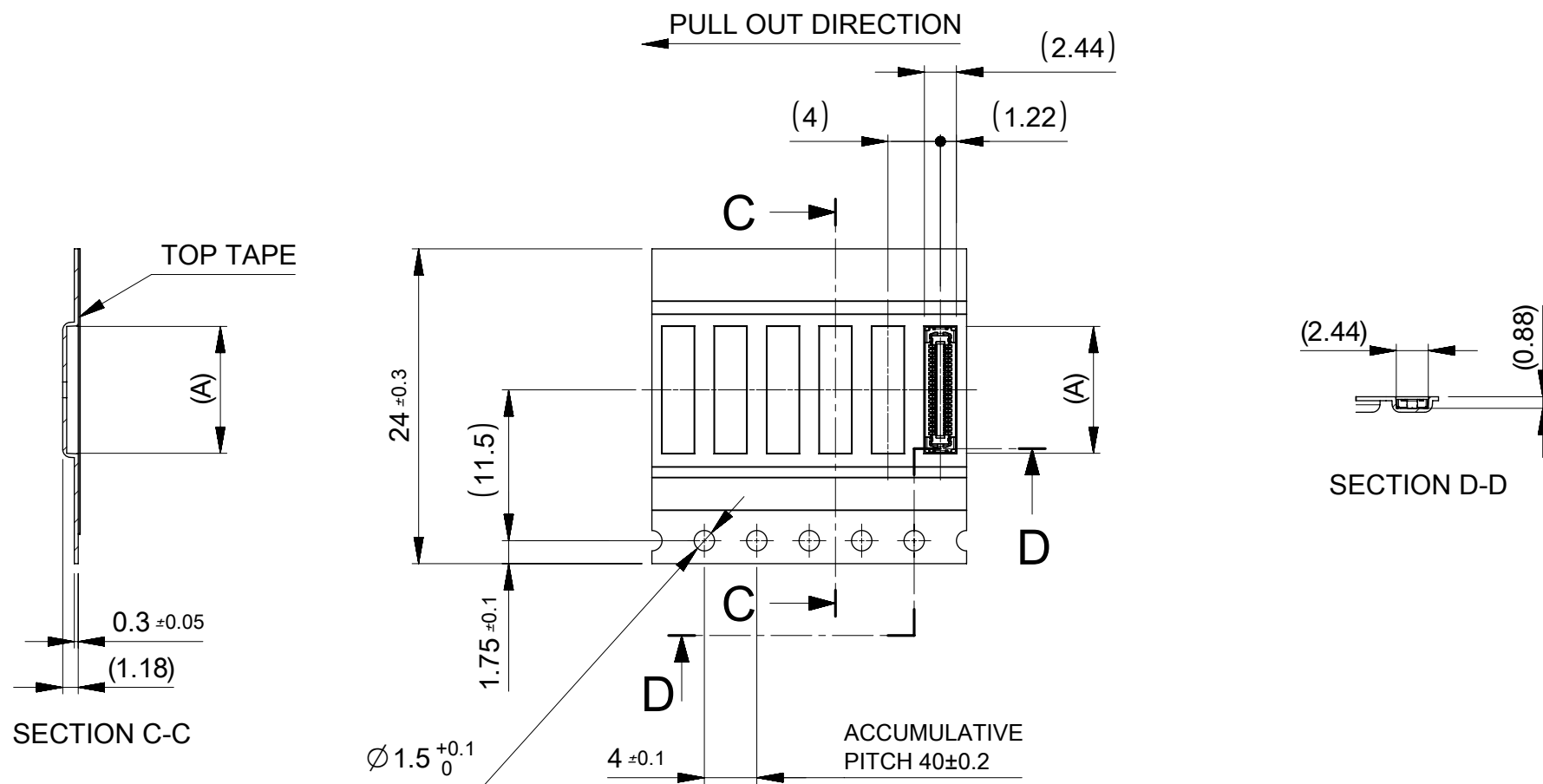
1. RE DETAILED DIMENSION, SEE PRODUCT DRAWING.
2. NUMBER OF CONNECTORS : 15000PCS/REEL
3. LEAD TAPE LENGTH



4. TOP TAPE PEEL FORCE IS DEFINED BY IEC60286-3.
5. MATERIAL
CARRIER TAPE : POLYSTYRENE
TOP TAPE : PET , OTHER
REEL : POLYSTYRENE (PS) < RECYCLE MATERIAL CONTAINED >
6. ELV AND RoHS COMPLIANT

MODEL NO. 2024360**3

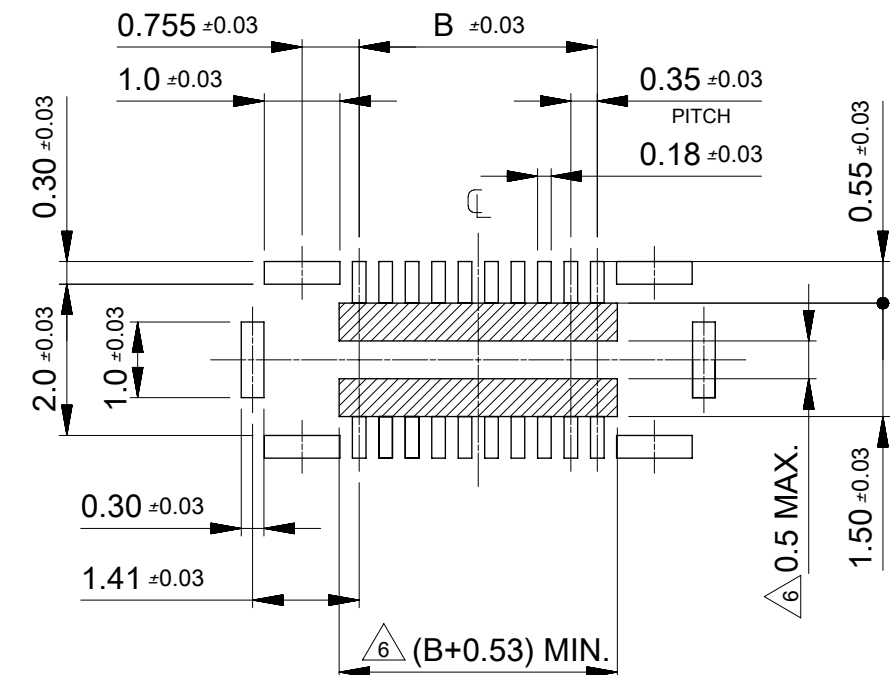
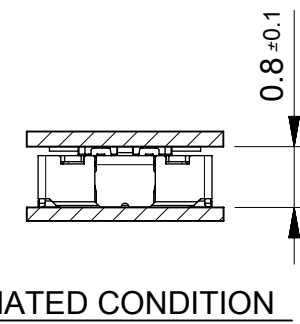
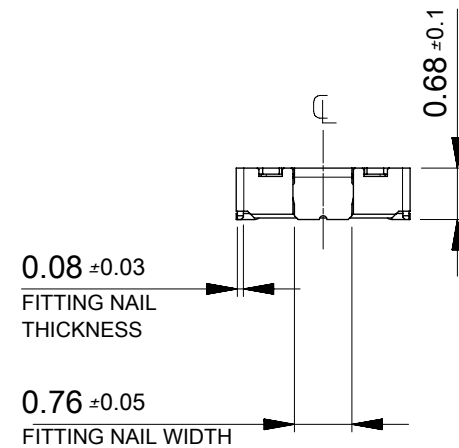
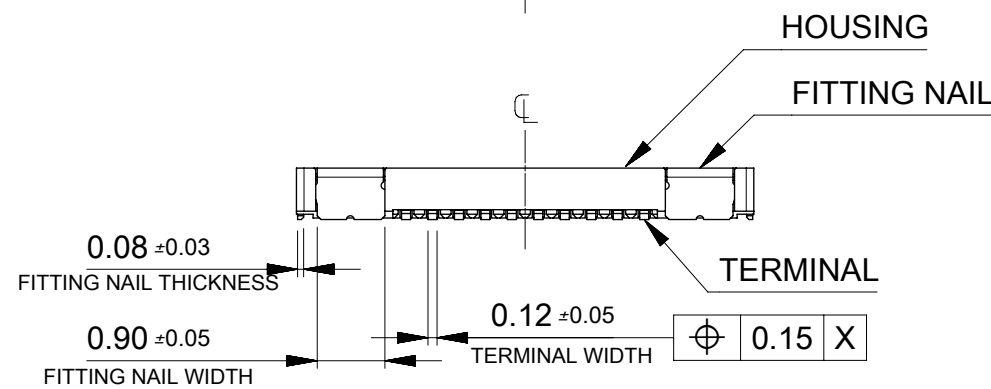
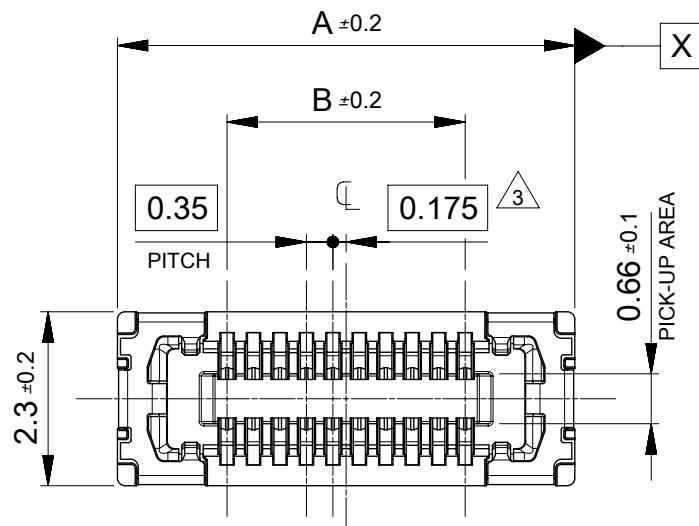
THIS DRAWING CONTAINS INFORMATION THAT IS PROPRIETARY TO MOLEX ELECTRONIC TECHNOLOGIES, LLC AND SHOULD NOT BE USED WITHOUT WRITTEN PERMISSION		CURRENT REV DESC:		molex		
DIMENSION UNITS	SCALE					
mm	1:1			PRODUCT CUSTOMER DRAWING		
GENERAL TOLERANCES (UNLESS SPECIFIED)		EC NO: 609517		DOCUMENT NUMBER		
ANGULAR TOL ± 3.0 °		DRWN: NOKIMOTO 2018/12/21		2024360000		
4 PLACES ± 0.03		CHK'D: KTANAKA03 2019/01/09		DOC TYPE		
3 PLACES ± 0.03		APPR: TKUSUHARA01 2019/01/09		PSD		
2 PLACES ± 0.05		INITIAL REVISION:		DOC PART		
1 PLACE ± 0.1		DRWN: NOKIMOTO 2018/06/08		002		
0 PLACES ± 0.2		APPR: TKUSUHARA01 2018/11/30		REVISION		
DRAFT WHERE APPLICABLE MUST REMAIN WITHIN DIMENSIONS		THIRD ANGLE PROJECTION	DRAWING	SERIES	MATERIAL NUMBER	CUSTOMER
			A3-SIZE	202436		GENERAL
						SHEET NUMBER
						1 OF 2



24	29.4	25.4	13.17	2024360603	○	---	60
			11.42	2024360503	○	---	50
			9.67	2024360403	○	---	40
キャリアテープ幅 CARRIER TAPE WIDTH	C	B	(A)	EMBOSSED TAPE PACKAGE	HIGH VOL. TOOL	LOW VOL. TOOL	CIRCUIT
ORDER NO.	SAMPLE PREPARATION ○: TOOLED △: WORK IN PROCESS ---: TOOLING TO BE CONFIRMED						

THIS DRAWING CONTAINS INFORMATION THAT IS PROPRIETARY TO MOLEX ELECTRONIC TECHNOLOGIES, LLC AND SHOULD NOT BE USED WITHOUT WRITTEN PERMISSION

DIMENSION UNITS mm	SCALE 2:1	CURRENT REV DESC:			molex		
GENERAL TOLERANCES (UNLESS SPECIFIED)		EC NO: 609517					
ANGULAR TOL	± 3.0 °	DRWN: NOKIMOTO 2018/12/21			PRODUCT CUSTOMER DRAWING		
4 PLACES	± 0.03	CHK'D: KTANAKA03 2019/01/09			DOCUMENT NUMBER		
3 PLACES	± 0.03	APPR: TKUSUHARA01 2019/01/09			2024360000		
2 PLACES	± 0.05	INITIAL REVISION:			DOC TYPE	DOC PART	REVISION
1 PLACE	± 0.1	DRWN: NOKIMOTO 2018/06/08			PSD	002	B
0 PLACES	± 0.2	APPR: TKUSUHARA01 2018/11/30			SHEET NUMBER		
DRAFT WHERE APPLICABLE MUST REMAIN WITHIN DIMENSIONS		THIRD ANGLE PROJECTION	DRAWING	SERIES	MATERIAL NUMBER	CUSTOMER	SHEET NUMBER
			A3-SIZE	202436		GENERAL	2 OF 2



- NOTES
- MATERIAL
HOUSING : LIQUID CRYSTAL POLYMER UL94V-0(COLOR : BLACK)
TERMINAL : COPPER ALLOY
FITTING NAIL : COPPER ALLOY
 - PLATING
TERMINAL :
CONTACT AREA: SEPARAED GOLD PLATING (0.1 MICROMETER MINIMUM).
SOLDER TAIL AREA: SEPARATED GOLD PLATING
UNDER PLATING : NICKEL OVERALL
*DIVIDE INTO PARTS THE GOLD PLATING OF THE CONTACT AND THE TAIL PART BY THE NICKEL PLATING.
FITTING NAIL :
CONTACT AREA: SEPARAED GOLD PLATING (0.1 MICROMETER MINIMUM).
SOLDER TAIL AREA: SEPARATED GOLD PLATING
UNDER PLATING : NICKEL OVERALL
*DIVIDE INTO PARTS THE GOLD PLATING OF THE CONTACT AND THE TAIL PART BY THE NICKEL PLATING.
*EVEN THOUGH GOLD PLATING ON THE TOP SURFACE OF NAIL MIGHT BE THIN, NO FUNCTIONAL PROBLEM.
- △₃ APPLY FOR (CIRCUIT/2)=EVEN
- MATE WITH : 2024370**3
 - TAIL AND FITTING NAIL COPLANARITY TO BE 0.08MAXIMUM.
 - PROHIBITED AREA OF PATTERN WIRING AND SOLDER.
(FOR EACH AREA, THE WIRING THAT TOUCHES ON THE SOLDER CAN BE ATTACHED, THEN COVERED WITH A FILM TO KEEP SOLDER OUT.)

10.15	13.05	2024360603	○	---	2	60
8.40	11.30	2024360503	○	---	2	50
6.65	9.55	2024360403	○	---	2	40
B	A	EMBOSSSED TAPE PACKAGE	MASS PRODUCTION	LOW VOL. TOOL	POWER (FITTING NAIL)	SIGNAL
		ORDER No.	SAMPLE PREPARATION ○: TOOLED △: WORK IN PROCESS ---: TOOLING TO BE CONFIRMED			CIRCUIT
CONNECTOR SERIES No. : 202436						

THIS DRAWING CONTAINS INFORMATION THAT IS PROPRIETARY TO MOLEX ELECTRONIC TECHNOLOGIES, LLC AND SHOULD NOT BE USED WITHOUT WRITTEN PERMISSION		CURRENT REV DESC:		molex		
DIMENSION UNITS	SCALE					
mm	10:1			0.35 BB H=0.8 W=2.3 HB8 REC ASSY		
GENERAL TOLERANCES (UNLESS SPECIFIED)				PRODUCT CUSTOMER DRAWING		
ANGULAR TOL	± 3.0 °	EC NO: 636889		DOCUMENT NUMBER		
4 PLACES	± 0.03	DRWN: ZQWANG13 2020/05/04		2024361000		
3 PLACES	± 0.03	CHK'D: MSASAO 2020/05/07		DOC TYPE DOC PART REVISION		
2 PLACES	± 0.05	APPR: YNAITO 2020/05/07		PSD 002 B		
1 PLACE	± 0.1	INITIAL REVISION:		MATERIAL NUMBER		
0 PLACES	± 0.2	DRWN: NOKIMOTO 2018/02/27		CUSTOMER		
DRAFT WHERE APPLICABLE MUST REMAIN WITHIN DIMENSIONS		THIRD ANGLE PROJECTION		SHEET NUMBER		
		DRAWING		GENERAL		
		SERIES		1 OF 1		
		A3-SIZE				
		202436				