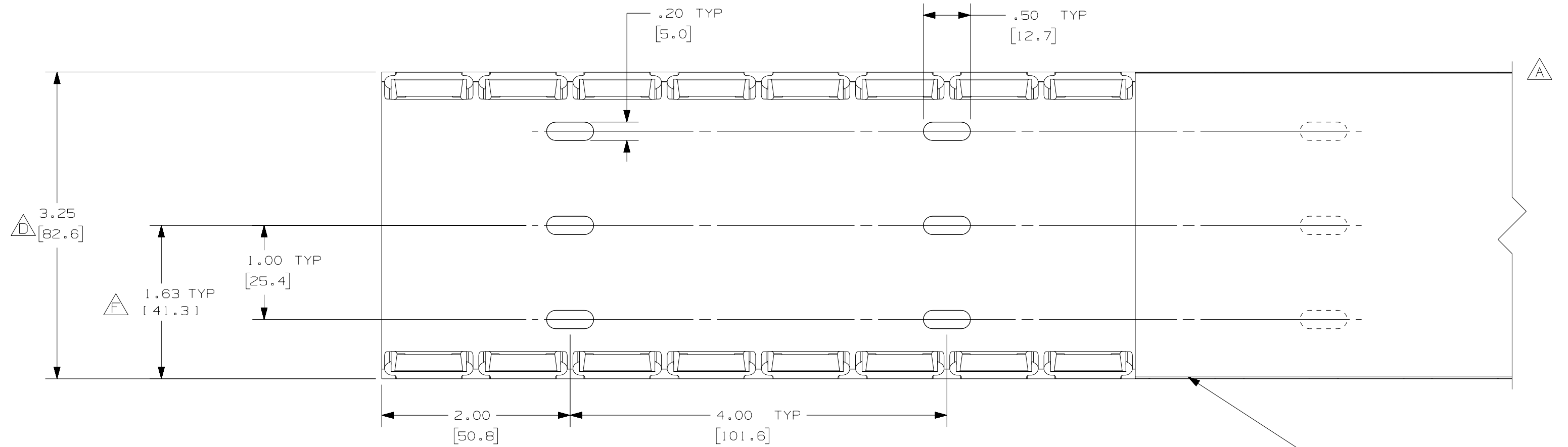
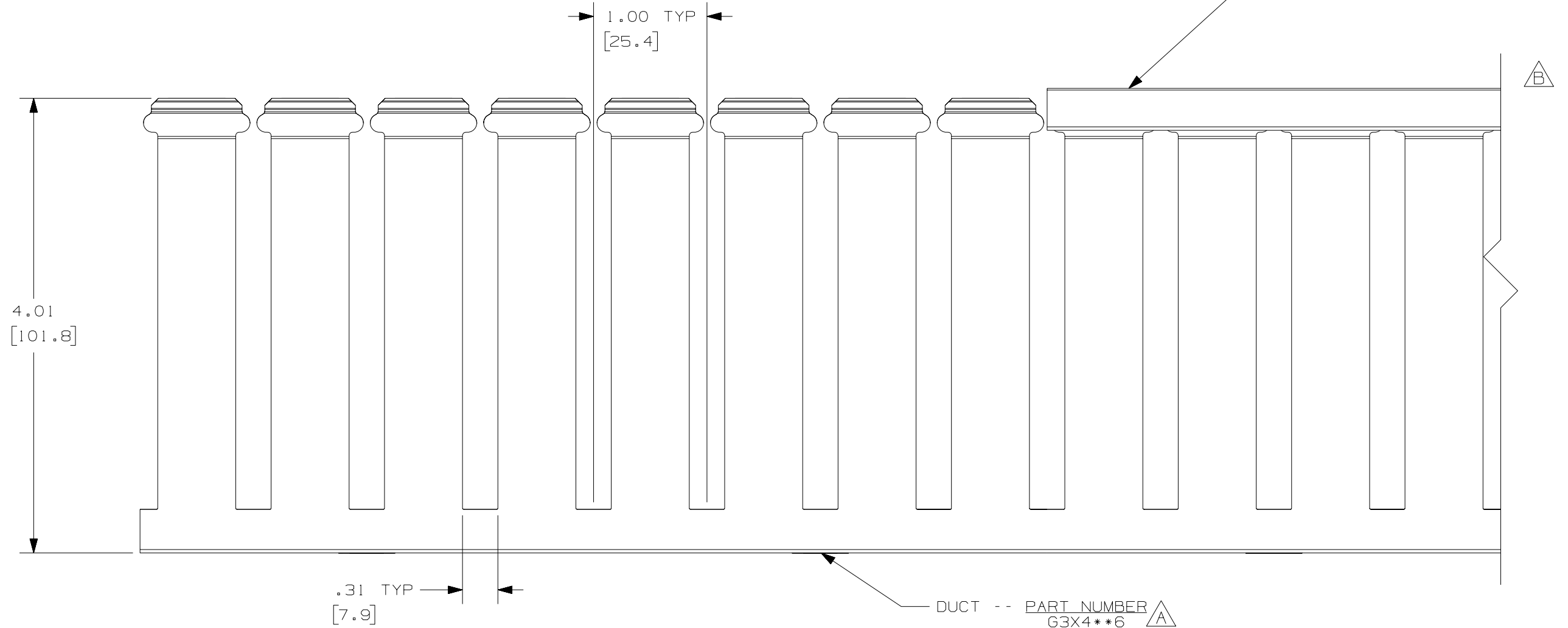
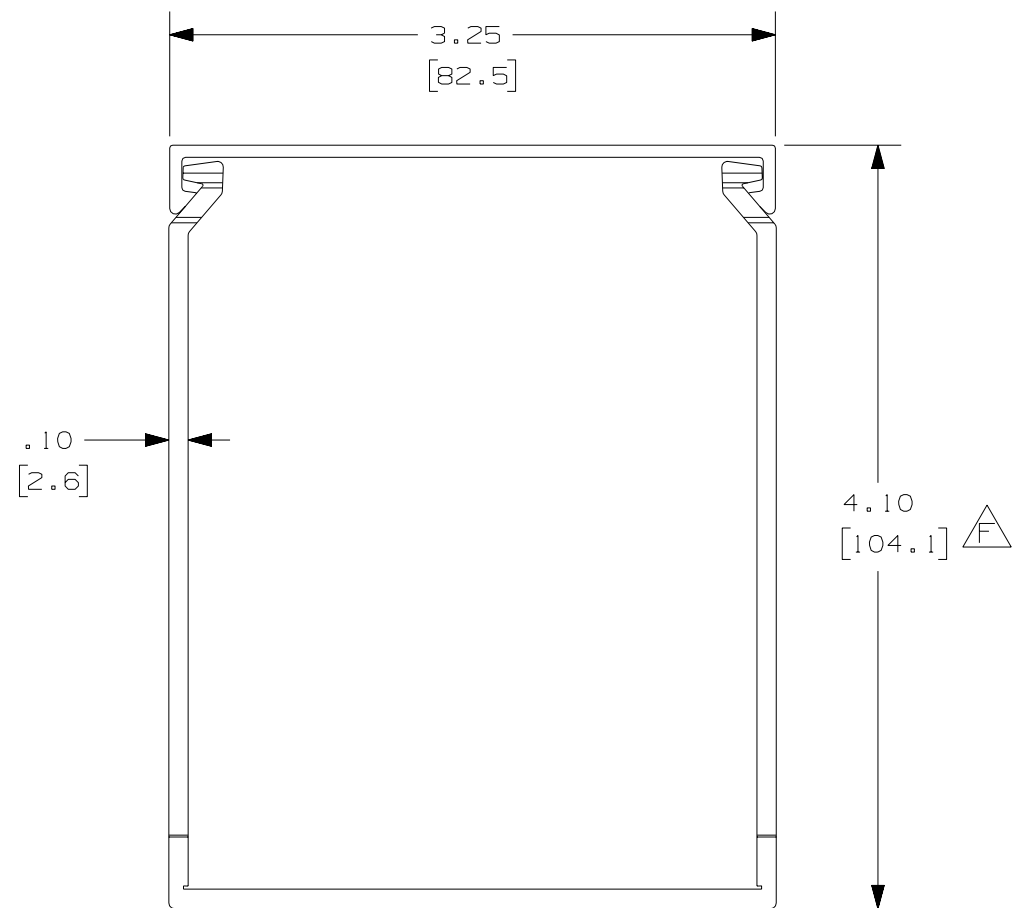


THIS COPY IS PROVIDED ON A RESTRICTED BASIS AND IS NOT TO BE USED IN ANY WAY DETRIMENTAL TO THE INTERESTS OF PANDUIT CORP.



COVER -- PART NUMBER C3\*\*6



DUCT -- PART NUMBER G3X4\*\*6



- NOTES:
1. ALL DIMENSIONS ARE REFERENCE ONLY.
  2. DIMENSIONS IN PARENTHESIS ARE METRIC.
  3. THE \*\* DENOTE COLOR.
  4. DUCT AND COVER ARE AVAILABLE IN 6 FT [1828.8] LENGTHS.

REV	DATE	BY	CHK	DESCRIPTION
--	-----	---	---	G. ADDED LENGTH NOTE F. CORRECTED DIMENSIONS
2	7-6-07	JCSTMKBE		E. DELETED DIMENSION D. ADDED DIMENSION
--	-----	---	---	C. CHANGED DRAWING SIZE
1	5-24-04	JCSTMKBE		B. CHANGED VIEW A. ADDED TOP VIEW, NOTES, AND LABELS
R	3-6-03	JCST JGG		DRAWING RELEASED

CAD FILENAME/LAYERS D11000QZ\_DC\_00C

**PANDUIT** CORP. TINLEY PARK, ILLINOIS

WIRING DUCT - TYPE G DUCT WITH COVER 3X4

MARKETING DRAWING

DRWN BY JCST	MAT'L: PVC	SCALE FULL
DATE 3-6-03		DWG 36897-712
CHECKED BY JGG		SIZE C