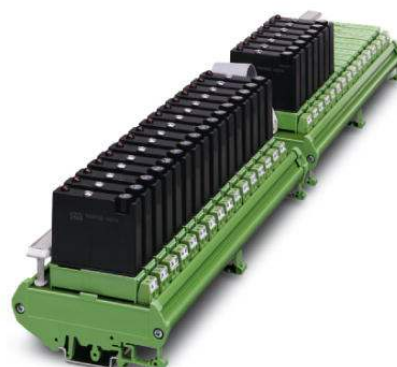


UMK-16 OM/AMSC/E/PLC

Order No.: 2976734

The illustration shows version UMK-16 OM/AMSC/PLC (incl. relays)




<http://eshop.phoenixcontact.de/phoenix/treeViewClick.do?UID=2976734>

VARIOFACE output expansion module, for 16 channels, with plug-in sockets for Generation 4 solid-state relays from OPTO 22



Commercial data

GTIN (EAN)	 4 017918 089443
Note	Made-to-order
sales group	I641
Pack	1 pcs.
Customs tariff	85369010
Catalog page information	Page 257 (IF-2009)

Product notes

WEEE/RoHS-compliant since:
09/05/2006



<http://www.download.phoenixcontact.com>
Please note that the data given here has been taken from the online catalog. For comprehensive information and data, please refer to the user documentation. The General Terms and Conditions of Use apply to Internet downloads.

Technical data

Input data

Nominal input voltage U_N	24 V DC
Type of protection	Protection against polarity reversal
Operating voltage display	Green LED

Output data

Contact type	1 N/O contact
Maximum switching voltage	250 V AC/DC
Limiting continuous current	6 A
Nominal supply voltage	250 V AC/DC (data is module-specific)
Continuous load current	6 A
Status display	Yes
Error detection (line break / short-circuit)	no

General data

No. of channels	16
Compatible components	Solid-state relay, Generation 4 from OPTO 22
With components	No
Width	259 mm
Height	90 mm
Depth	87 mm
Ambient temperature (operation)	-20 °C ... 50 °C
Ambient temperature (storage/transport)	-20 °C ... 70 °C
Test voltage	4 kV (50 Hz, 1 min.)
Standards/regulations	IEC 60664
	DIN EN 50178
	IEC 62103
Mounting position	Any
Pollution degree	2
Surge voltage category	III
Housing insulation material	PVC, side panel PA non-reinforced,
Color	green

Connection data

Connection 1	Input
Type of connection	Flat-ribbon cable plug connector in acc. with IEC 60603-13
Number of positions	20
Connection 2	Output
Type of connection	Screw connection
Number of positions	2
Conductor cross section solid min.	0.14 mm ²

Conductor cross section solid max.	1.5 mm ²
Conductor cross section stranded min.	0.14 mm ²
Conductor cross section stranded max.	1.5 mm ²
Conductor cross section AWG/kcmil min.	26
Conductor cross section AWG/kcmil max	14
Screw thread	M3
Stripping length	6 mm

Certificates / Approvals



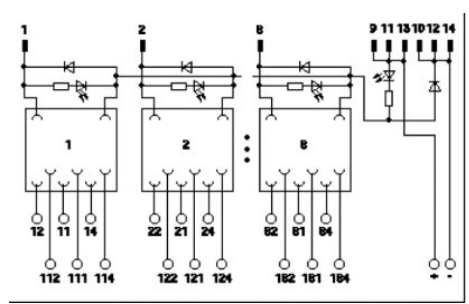
Certification CUL, GOST, UL

Additional products

Item	Designation	Description
General		
2976721	UMK-16 OM/AMSC/PLC	VARIOFACE output module, for 16 channels, with plug-in sockets for generation 4 solid-state relays from OPTO 22

Diagrams/Drawings

Circuit diagram



Address

PHOENIX CONTACT Deutschland GmbH
Flachmarktstr. 8
32825 Blomberg, Germany
Phone +49 5235 3 12000
Fax +49 5235 3 41200
<http://www.phoenixcontact.de>



© 2011 Phoenix Contact
Technical modifications reserved;