

4

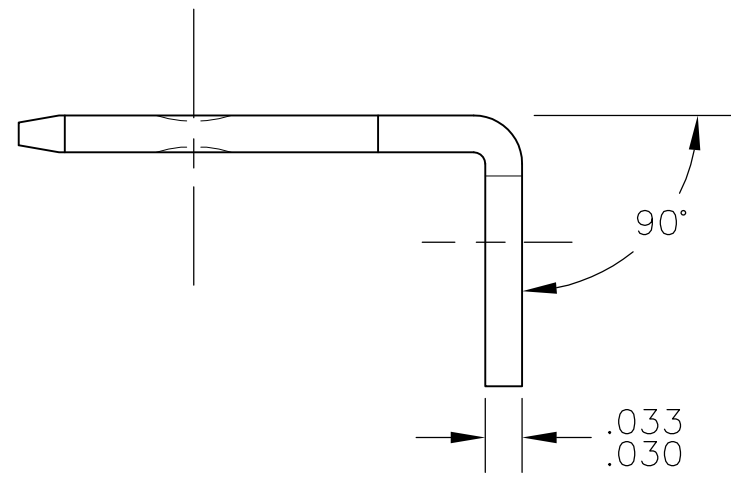
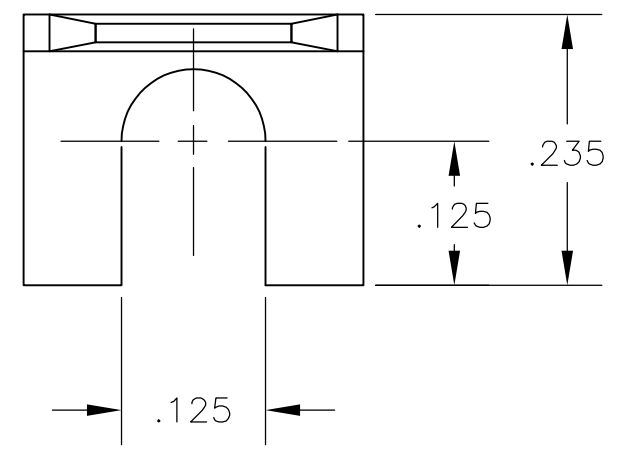
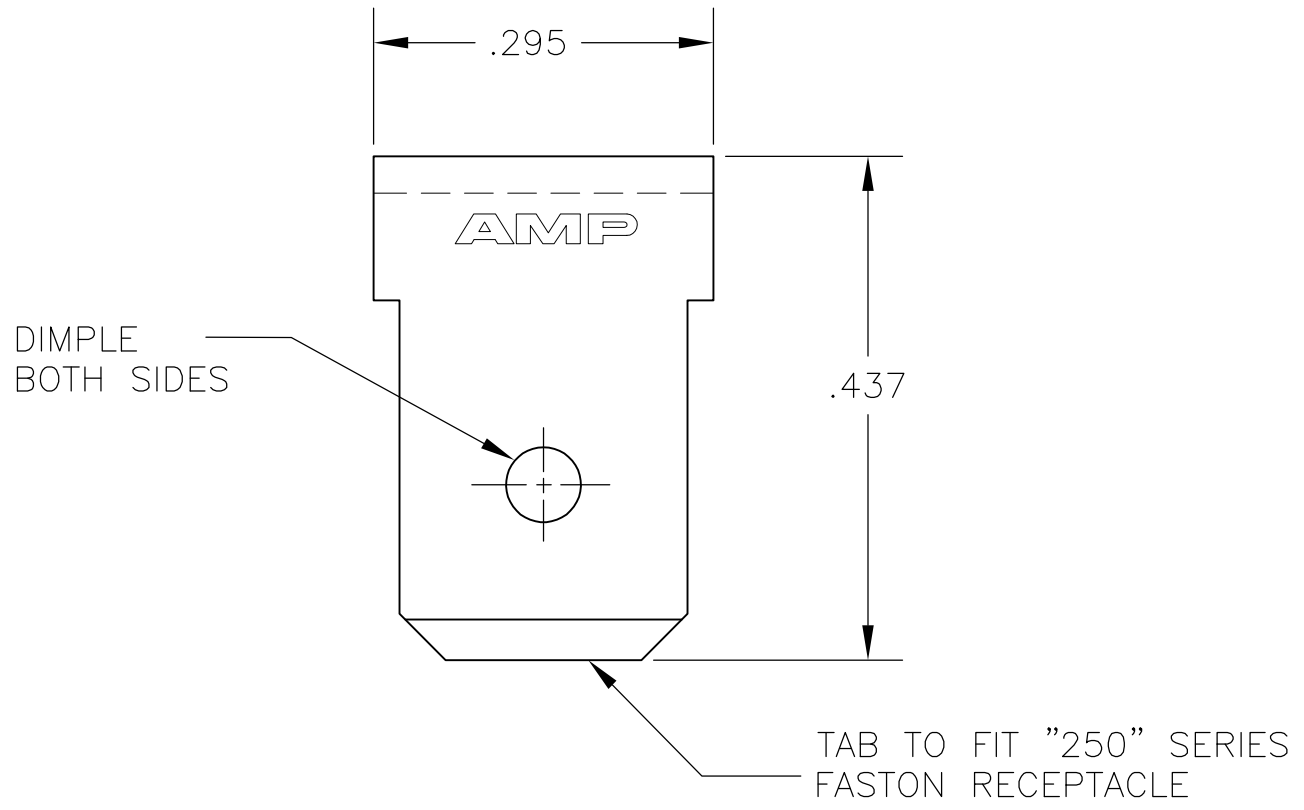
3

2

1

THIS DRAWING IS UNPUBLISHED. RELEASED FOR PUBLICATION
 © COPYRIGHT - By - ALL RIGHTS RESERVED.

LOC	DIST	REVISIONS					
AF	50	P	LTR	DESCRIPTION	DATE	DWN	APVD
			F	REVISED PER ECR-13-011489	10DEC2013	KH	PD



PLAIN	41398
FINISH	PART NO

THIS DRAWING IS A CONTROLLED DOCUMENT.		DWN	RAGHAVENDRA	4/11/06	STE TE Connectivity		
DIMENSIONS: INCHES		CHK	MS FEHER	10/9/91			
TOLERANCES UNLESS OTHERWISE SPECIFIED:		APVD	R BEAVER	10/9/91	NAME		
0 PLC ± -		PRODUCT SPEC		.250 SERIES FASTON TAB			
1 PLC ± -		APPLICATION SPEC					
2 PLC ± .015		SIZE	A3	CAGE CODE	00779	DRAWING NO	C-41398
3 PLC ± -		WEIGHT		RESTRICTED TO		-	
4 PLC ± -		CUSTOMER DRAWING		SCALE	6:1	SHEET	1 OF 1
ANGLES ± 1°		MATERIAL		REV		F	
FINISH		BRASS		SEE TABLE			