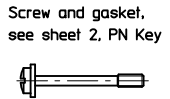
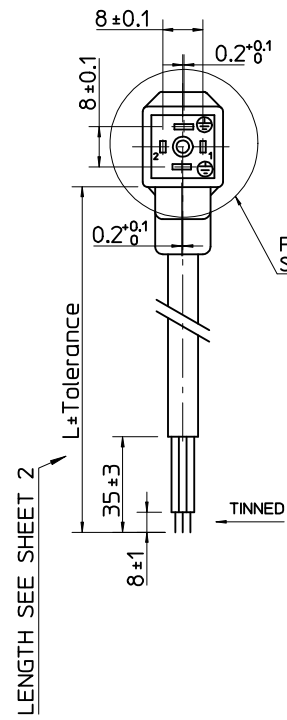
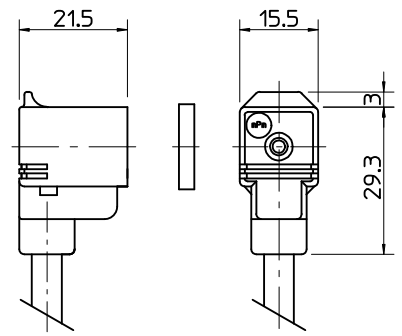


WIRING CONFIGURATION

E431XXXXXXXXX	Brown Blue	
E432XXXXXXXXX	Brown Blue Green/Yellow	
E433XXXXXXXXX	Brown Blue or Grey Black Green/Yellow	



Face View
See Insert Orientation



INSERT ORIENTATION

EARTH ON 6H & 12H E43XXXXXXXX1X	EARTH PIN ON 12H E43XXXXXXXX2X	EARTH PIN ON 6H E43XXXXXXXX6X

Table of length tolerances [mm]

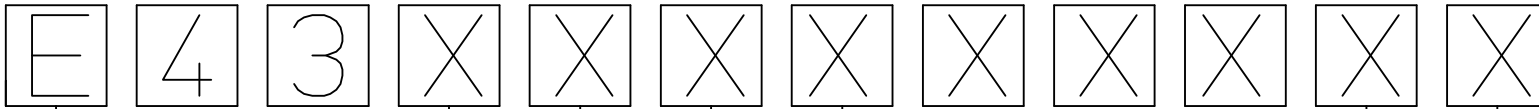
Over	Up to and including	Tolerance (+)
0	1000	±20
1000	3000	±30
3000	5000	±40
5000	10000	±50
10000	15000	±100
15000	20000	±150
20000		±L/100

Technical data:

Max Current per Contact: 3A
 Max Voltage: 250V AC; 300V DC
 Contact resistance: ≤ 15 mohm
 Protection grade: IP65 EN 60529
 IP67 available upon request
 Certification: UL listed file
 E218126 available upon request

ADD NEW PN'S EC NO: IPG2014-0236 DRWN: JMARSZALEK 2013/07/29 CHKD: MSZWAJKOWSKI 2013/07/29 APPR: MIWASIECZKO 2013/08/02	QUALITY SYMBOLS 	GENERAL TOLERANCES (UNLESS SPECIFIED) <table border="1"> <thead> <tr> <th></th> <th>mm</th> <th>INCH</th> </tr> </thead> <tbody> <tr> <td>4 PLACES</td> <td>± ---</td> <td>± ---</td> </tr> <tr> <td>3 PLACES</td> <td>± ---</td> <td>± ---</td> </tr> <tr> <td>2 PLACES</td> <td>± ---</td> <td>± ---</td> </tr> <tr> <td>1 PLACE</td> <td>± ---</td> <td>± ---</td> </tr> <tr> <td>0 PLACE</td> <td>± ---</td> <td>± ---</td> </tr> </tbody> </table>		mm	INCH	4 PLACES	± ---	± ---	3 PLACES	± ---	± ---	2 PLACES	± ---	± ---	1 PLACE	± ---	± ---	0 PLACE	± ---	± ---	DIMENSION STYLE MM ONLY	SCALE DESIGN UNITS METRIC	FIRST ANGLE PROJECTION
		mm	INCH																				
	4 PLACES	± ---	± ---																				
	3 PLACES	± ---	± ---																				
2 PLACES	± ---	± ---																					
1 PLACE	± ---	± ---																					
0 PLACE	± ---	± ---																					
REV	DRAFT WHERE APPLICABLE MUST REMAIN WITHIN DIMENSIONS	DRAWN BY: JMARSZALEK CHECKED BY: MSZWAJKOWSKI APPROVED BY: MIWASIECZKO	DATE: 2012/12/04 DATE: 2012/12/04 DATE: 2013/08/02	TITLE E43XXXXXXXXX DIN FORM C EN 175301-803	MATERIAL NO. MATRIX DRAWING																		
				DOCUMENT NO. SD-121040-005	SHEET NO. 1 OF 4																		
			SIZE: A3	THIS DRAWING CONTAINS INFORMATION THAT IS PROPRIETARY TO MOLEX INCORPORATED AND SHOULD NOT BE USED WITHOUT WRITTEN PERMISSION																			

10 9 8 7 6 5 4 3 2 1



E - Packing without bags
 W - Single packing
 Q - Quick packing

NUMBER OF WIRES:
 1=2 WIRES
 2=3 WIRES
 3=4 WIRES
 5=SMC COMPATIBLE 2 WIRES
 6=SMC COMPATIBLE 3 WIRES
 7=SMC COMPATIBLE 4 WIRES

CABLE TYPE
 SEE TABLE 1

CABLE CROSS SECTION AREA
 SEE TABLE 2

HEAD COLOUR:
 G=GREY
 N=BLACK
 A=CSA-UL BLACK
 B=CSA-UL GREY

CABLE LENGHT IN CM
 Eg.:050=50 CM, 300=300 CM, 10K=1000 CM.

EARTH PIN LOCATION:
 1=DOUBLE EARTH ON 6H AND 12H
 2=EARTH ON 12H
 6=EARTH ON 6H

TYPE OF GASKET AND SCREW:
 1=NBR PROFILE GASKET+FIXING SCREWS (M2.5x22.5 mm)
 2=NBR FLAT GASKET+SCREW (M2.5x22.5 mm)
 3=SILICONE PROFILE GASKET+SCREW (M2.5x22.5 mm)
 4=SILICON FLAT GASKET+SCREW (M2.5x22.5 mm)
 T=PROFILE GASKET+SCREW+GROMMET (M2.5x23 mm)

ADD NEW PN'S EC NO: IPG2014-0236 DRWN: JMARSZALEK 2013/07/29 CHKD: MSZWAJKOWSKI 2013/07/29 APPR: MIWASIECZKO 2013/08/02	QUALITY SYMBOLS	GENERAL TOLERANCES (UNLESS SPECIFIED)		DIMENSION STYLE MM ONLY	SCALE 1:1	DESIGN UNITS METRIC	FIRST ANGLE PROJECTION		
	=0 =0	mm	INCH	DRAWN BY JMARSZALEK	DATE 2012/12/04	TITLE E43XXXXXXXXXX DIN FORM C EN 175301-803			
		4 PLACES	± ---	± ---	CHECKED BY MSZWAJKOWSKI	DATE 2012/12/04			
		3 PLACES	± ---	± ---	APPROVED BY MIWASIECZKO	DATE 2013/08/02			
		2 PLACES	± ---	± ---	MATERIAL NO.	DOCUMENT NO. SD-121040-005			
	1 PLACE	± ---	± ---	DRAFT WHERE APPLICABLE MUST REMAIN WITHIN DIMENSIONS		THIS DRAWING CONTAINS INFORMATION THAT IS PROPRIETARY TO MOLEX INCORPORATED AND SHOULD NOT BE USED WITHOUT WRITTEN PERMISSION			
	0 PLACE	± ---	± ---	SIZE A3					

9 8 7 6 5 4 3 2 1

TABLE 2 - CABLES


Molex PN Raw cable	Cable type	Cable code	Wires no.	Cross Section	Jacket material	Jacket color	Diameter Ø [mm]	Wire colors
1210180080	I	0	3	1 mm ²	PVC CEI 2022 II O.R.	Grey	6.4±0.2	BN, BU, GN/YE
1210180467	A	2	2	20 AWG	PVC CSA/UL 2661	Black	5.4±0.2	BN, BU
1210180128	A	2	3	20 AWG	PVC CSA/UL 2661	Black	5.6±0.2	BN, BU, GN/YE
1210180394	A	2	4	20 AWG	PVC CSA/UL 2661	Black	6.2±0.25	BN, BU, BK, GN/YE
1210180297	B	2	2	20 AWG	PUR CSA/UL 20668	Black	5.6±0.2	BN, BU
1210180126	B	2	3	20 AWG	PUR CSA/UL 20668	Black	5.6±0.2	BN, BU, GN/YE
1210180387	B	2	4	20 AWG	PUR CSA/UL 20668	Black	6.3±0.2	BN, BU, BK, GN/YE
1210180122	D	2	3	0.5 mm ²	PVC CEI 20-20	Grey	5.5±0.2	BN, BU, GN/YE
1210180047	I	2	2	0.5 mm ²	PVC CEI 2022 II O.R.	Grey	5.5+0.3/-0	BN, BU
1210180284	I	2	3	0.5 mm ²	PVC CEI 2022 II O.R.	Grey	5.5+0.3/-0	BN, BU, GN/YE
1210180146	I	2	4	0.5 mm ²	PVC CEI 2022 II O.R.	Grey	6.5±0.2	BN, BU, BK, GN/YE
1210180177	I	2	5	0.5 mm ²	PVC CEI 2022 II O.R.	Grey	7.0 +0.3/-0	BN, BU, BK, WH, GN/YE
1210180022	N	2	2	0.5 mm ²	PVC H03VV-F	Black	5.2±0.2	BN, BU
1202092753	N	2	3	0.5 mm ²	PVC H03VV-F	Black	5.6±0.2	BN, BU, GN/YE
1210180153	N	2	4	0.5 mm ²	PVC H03VV-F	Black	5.9±0.3	BN, BU, BK, GN/YE
1210180046	P	2	2	0.5 mm ²	PUR - BLEND	Black	5.5±0.2	BN, BU
1202092439	P	2	3	0.5 mm ²	PUR - BLEND	Black	5.5 +0.3/-0	BN, BU, GN/YE
1210180302	P	2	4	0.5 mm ²	PUR - BLEND	Black	6.5±0.2	BN, BU, BK, GN/YE
1202092215	P	2	5	0.5 mm ²	PUR - BLEND	Black	7+0.3/-0.1	BN, BU, BK, WH, GN/YE
1210180409	A	3	2	18 AWG	PVC CSA/UL 2661	Black	6.2±0.25	BN, BU
1210180129	A	3	3	18 AWG	PVC CSA/UL 2661	Black	6.5±0.25	BN, BU, GN/YE
1210180159	A	3	4	18 AWG	PVC CSA/UL 2661	Black	7.0+0.3/-0	BN, BU, BK, GN/YE
1210180464	A	3	5	18 AWG	PVC CSA/UL 2661	Black	7.8±0.25	BN, BU, BK, WH, GN/YE
1210180351	B	3	2	18 AWG	PUR CSA/UL 20668	Black	6.2±0.2	BN, BU
1210180127	B	3	3	18 AWG	PUR CSA/UL 20668	Black	6.5±0.2	BN, BU, GN/YE
1210180160	B	3	4	18 AWG	PUR CSA/UL 20668	Black	7±0.2	BN, BU, BK, GN/YE
1210180463	B	3	5	18 AWG	PUR CSA/UL 20668	Black	7.8±0.25	BN, BU, BK, WH, GN/YE
1210180073	D	3	3	0.75 mm ²	PVC CEI 20-20	Grey	6.5±0.2	BN, BU, GN/YE
1210180145	D	3	4	0.75 mm ²	PVC CEI 20-20	Grey	7.1±0.2	BN, BU, BK, GN/YE
1202098206	I	3	2	0.75 mm ²	PVC CEI 2022 II O.R.	Grey	5.5±0.2	BK1, BK2
1210180120	I	3	3	0.75 mm ²	PVC CEI 2022 II O.R.	Grey	6.0±0.2	BK1, BK2, BK3
1210180143	I	3	4	0.75 mm ²	PVC CEI 2022 II O.R.	Grey	7.0±0.2	BN, BU, BK, GN/YE
1210180032	N	3	2	0.75 mm ²	PVC H05VV-F	Black	6.2±0.2	BN, BU
1210180069	N	3	3	0.75 mm ²	PVC H05VV-F	Black	6.5±0.2	BN, BU, GN/YE
1210180144	N	3	4	0.75 mm ²	PVC H05VV-F	Black	7.1±0.2	BN, GY, BK, GN/YE
1210180174	N	3	5	0.75 mm ²	PVC H05VV-F	Black	8.0+0.2/-0	BN, BU, BK, GY, GN/YE
1202094190	P	3	2	0.75 mm ²	PUR - BLEND	Black	6.5±0.2	BN, BU
1210180071	P	3	3	0.75 mm ²	PUR - BLEND	Black	6.5±0.2	BN, BU, GN/YE
1210180152	P	3	4	0.75 mm ²	PUR - BLEND	Black	7.0±0.2	BN, BU, BK, GN/YE

TABLE 2 - CABLES

Molex PN Raw cable	Cable type	Cable code	Wires no.	Cross Section	Jacket material	Jacket color	Diameter Ø [mm]	Wire colors
1210180384	R	3	3	0.75 mm ²	TPR HAL. FREE	Black	6.5±0.2	BN, BU, GN/YE
1210180094	T	3	3	0.75 mm ²	PUR CSA/UL 20668	Yellow	6.5±0.2	BN, BU, GN/YE
1210180309	Y	3	3	0.75 mm ²	SILICONE RUBBER	Red	6.5±0.2	BN, BU, GN/YE
1210180081	F	4	3	1 mm ²	PVC CNOMO	Grey	7.1+0.2/-0	BK1, BK2, GN/YE
1210180042	I	4	2	1 mm ²	PVC CEI 2022 II O.R.	Grey	7.1+0.2/-0	BN, BU
1210180079	I	4	3	1 mm ²	PVC CEI 2022 II O.R.	Grey	7.1+0.2/-0	BN, BU, GN/YE
1210180036	N	4	2	1 mm ²	PVC H05VV-F	Black	6.5±0.2	BN, BU
1210180082	N	4	3	1 mm ²	PVC H05VV-F	Black	6.9±0.2	BN, BU, GN/YE
1210180117	R	4	3	1 mm ²	TPR HAL. FREE	Black	7.1±0.2	BN, BU, GN/YE
1210180085	N	5	3	1.5 mm ²	PVC H05VV-F	Black	7.9±0.2	BN, BU, GN/YE
1210180313	I	6	2	0.35 mm ²	PVC CEI 2011	Grey	4.8±0.2	BN, WH
1210180149	I	9	4	0.75 mm ²	PVC CEI 2022 II	Grey	7.3±0.2	BN, BU, BK, GN/YE

TABLE 1 - CABLES TYPE

Code	Cable types	Features
N	PVC	Kabel z dobra odpornoscia na wode ale zwykle slaba na olej. Application general purpose cable which has good resistance to water, but usually poor oil resistance.
I	CEI	Zatwierdzone przez IEC 332-2A, samogaszacy. Ograniczona odpornosc na oleje. / Approved to IEC 332-2A, flame retardant and self extinguishing. Limited resistant to mineral oils.
P	PUR	Kabel z dobra odpornoscia na olej i chemikalia. Moze peczniec gdy stale zanurzony w wodzie. / Offer good resistance to oil and chemicals. Can swell when constantly immersed in water.
A	PVC CSA-UL	Zatwierdzony parzez CSA-UL 2661. Dobra odpornosc na wode, slaba na olej. Approved to CSA-UL 2661, application general purpose cable which has good resistance to water, but usually poor oil resistance.
B	PUR CSA-UL	Zatwierdzony przez CSA-UL 20668, bardzo dobra odpornosc na olej i chemikalia. / Approved to CSA-UL 20668, very good resistance to oil and chemicals.

ADD NEW PN'S EC NO: IPG2014-0236 DRWIN: JMARSZALEK 2013/07/29 CHYKD: MSZWAJKOWSKI 2013/07/29 APPR: MIWASIECZKO 2013/08/02	QUALITY SYMBOLS ▽=0 ▽=0	GENERAL TOLERANCES (UNLESS SPECIFIED)		DIMENSION STYLE MM ONLY		SCALE 1:1	DESIGN UNITS METRIC	FIRST ANGLE PROJECTION	
			mm	INCH	DRAWN BY JMARSZALEK	DATE 2012/12/04	TITLE E43XXXXXXXXXX DIN FORM C EN 175301-803		
		4 PLACES	± ---	± ---	CHECKED BY MSZWAJKOWSKI	DATE 2012/12/04			
		3 PLACES	± ---	± ---	APPROVED BY MIWASIECZKO	DATE 2013/08/02			
		2 PLACES	± ---	± ---	MATERIAL NO. MATRIX DRAWING		DOCUMENT NO. SD-121040-005		SHEET NO. 3 OF 4
1 PLACE	± ---	± ---	DRAFT WHERE APPLICABLE MUST REMAIN WITHIN DIMENSIONS						
0 PLACE	± ---	± ---	THIS DRAWING CONTAINS INFORMATION THAT IS PROPRIETARY TO MOLEX INCORPORATED AND SHOULD NOT BE USED WITHOUT WRITTEN PERMISSION						

PART LIST

Molex PN:	Engineering No.:	Molex PN:	Engineering No.:
1210400481	E432A2A30012	1210401025	E432P2N50011
1210400486	E43212N50012	1210401109	E433N2N10K21
1210400490	E432N2N05012	1210401222	E433A2A30012
1210400491	E432N2N10011	1210401223	E432B2A30012
1210400492	E432N2N10012	1210401224	E433B2A30012
1210400493	E432N2N10K11	1210401258	E433N2N10021
1210400496	E432N2N20011	1210401259	E433N2N20021
1210400497	E432N2N20012	1210401274	E432P2N04011
1210400498	E432N2N30011	1210401296	E43212N30011
1210400499	E432N2N30012	1210401297	E43212N50011
1210400500	E432N2N50011	1210401322	E43212N10011
1210400501	E432N2N50012	1210401323	E432A2A10011
1210400502	E432P2N10011	1210401324	E432A2A30011
1210400503	E432P2N10012	1210401325	E432A2A50011
1210400505	E432P2N50012	1210401326	E433N2N5006T
1210400508	E433N2N30021	1210401327	E43612N10011
1210400509	E433N2N30022	1210401328	E436D3N50062
1210400510	E433N2N30061	1210401336	E432B2A50011
1210400511	E433N2N50021	1210401339	E433N2N20061
1210400512	E433N2N50022	1210401372	E43612N30011
1210400609	E43212N10K11	1210401383	E436N2N30011
1210400730	E433N2N10061	1210401384	E436N2N50011
1210400791	E436D3N30062	1210401427	E433B2A3002T
1210400813	E432A2A04011	1210401428	E433B2A5002T
1210400834	E432A2A10012		
1210400913	E433N2N10K22		
1210400940	E431N2N15011		
1210400952	E432A2A20011		
1210400968	E432P2N12K11		
1210401002	E432A2A3002T		
1210401011	E433A2A3002T		
1210401022	E433P2N1006T		
1210401023	E433P2N3006T		
1210401024	E433P2N5006T		

ADD NEW PN'S EC NO: IPG2014-0236 DRWN: JMARSZALEK 2013/07/29 CHKD: MSZWAJKOWSKI 2013/07/29 APPR: MIWASIECZKO 2013/08/02	DESCRIPTION REV	QUALITY SYMBOLS	GENERAL TOLERANCES (UNLESS SPECIFIED)	DIMENSION STYLE	SCALE	DESIGN UNITS	FIRST ANGLE PROJECTION
		= 0 = 0	mm INCH	MM ONLY	1:1	METRIC	TITLE E43XXXXXXXXXX DIN FORM C EN 175301-803
		4 PLACES	± --- ± ---	DRAWN BY DATE	JMARSZALEK 2012/12/04 CHECKED BY DATE MSZWAJKOWSKI 2012/12/04 APPROVED BY DATE MIWASIECZKO 2013/08/02		
		3 PLACES	± --- ± ---	MATERIAL NO.			
		2 PLACES	± --- ± ---	MATRIX DRAWING			
1 PLACE	± --- ± ---	DOCUMENT NO.					
0 PLACE	± --- ± ---	SD-121040-005					
		ANGULAR ± --- °	DRAFT WHERE APPLICABLE MUST REMAIN WITHIN DIMENSIONS	SIZE	THIS DRAWING CONTAINS INFORMATION THAT IS PROPRIETARY TO MOLEX INCORPORATED AND SHOULD NOT BE USED WITHOUT WRITTEN PERMISSION		SHEET NO.
				A3			4 OF 4