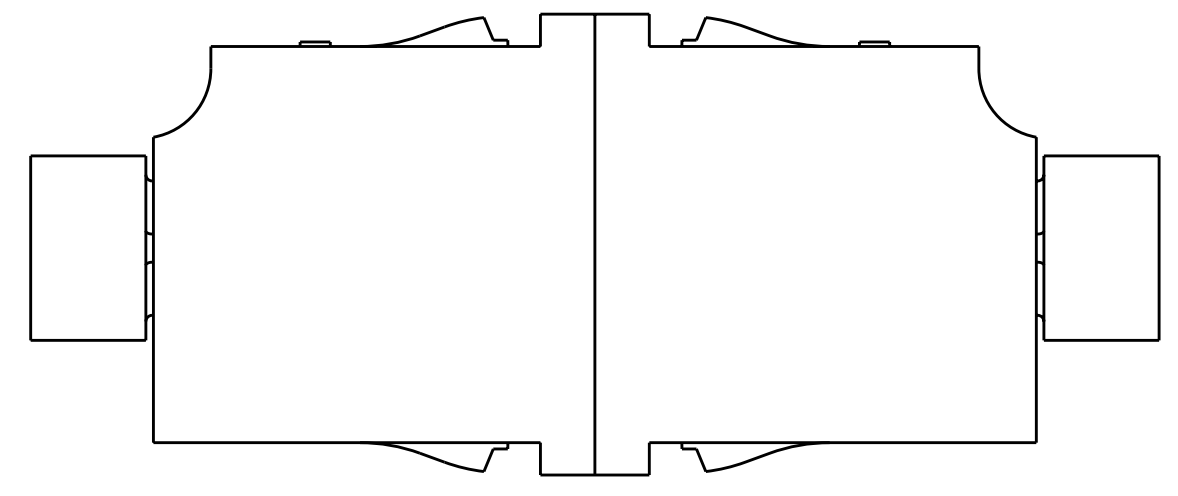
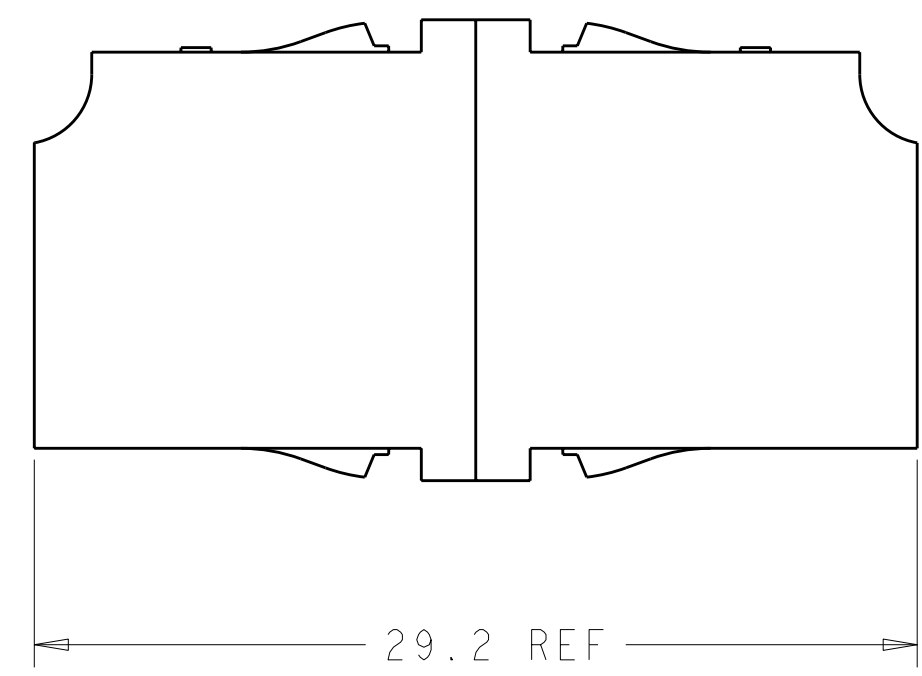
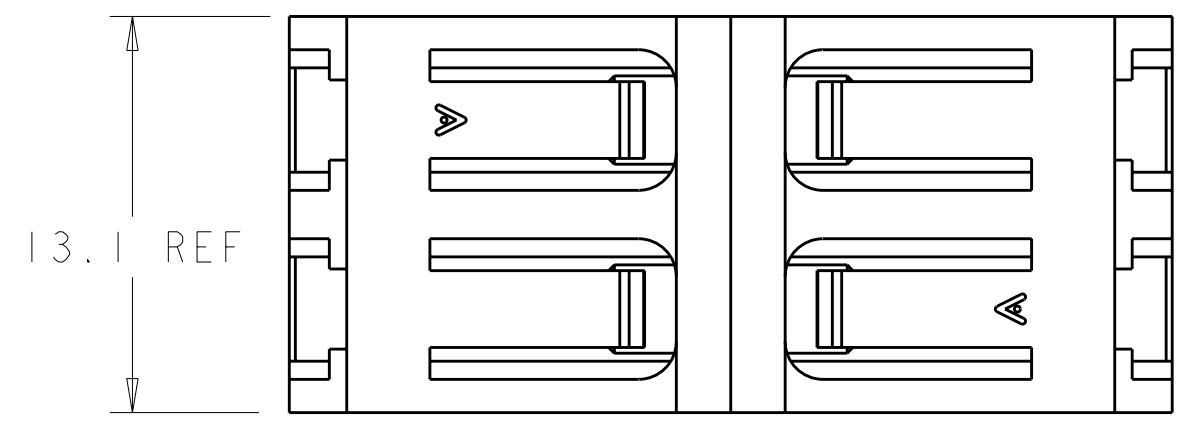


LOC	DIST	REVISIONS					
		P	LTB	DESCRIPTION	DATE	DWN	APVD
HG	-	A		ECR-08-032503	22DEC2008	EJH	DB
		A1		REV PER ECR-10-016231	10AUG2010	IL	CT

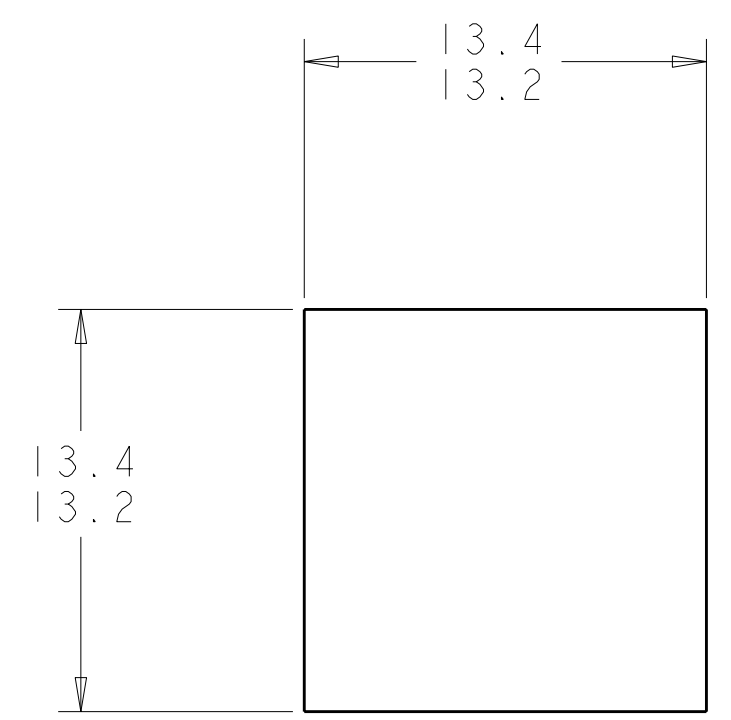
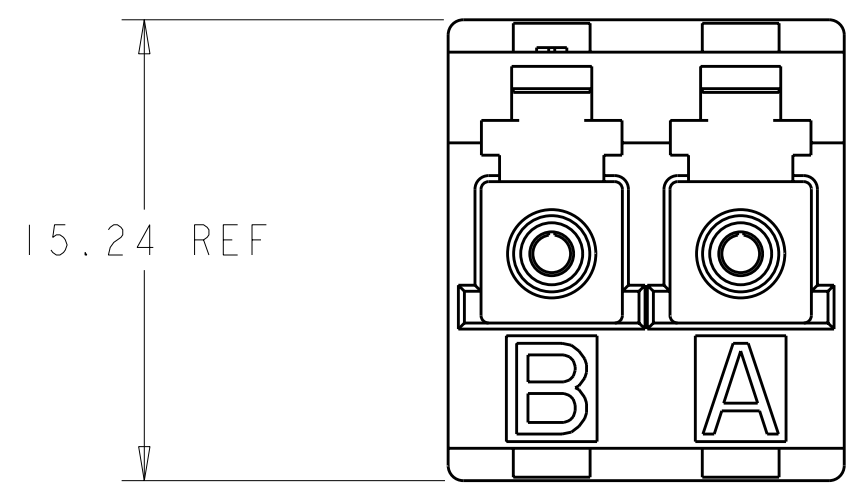
⚠ MATERIAL:  
 HOUSINGS: THERMOPLASTIC, PPE-PS\*  
 ALIGNMENT SLEEVES: CERAMIC OR PHOS. BRONZE  
 PROTECTIVE COVERS: THERMOPLASTIC ELASTOMER\*  
 \* UL 94 V-0 RATED AT QUALIFYING THICKNESS



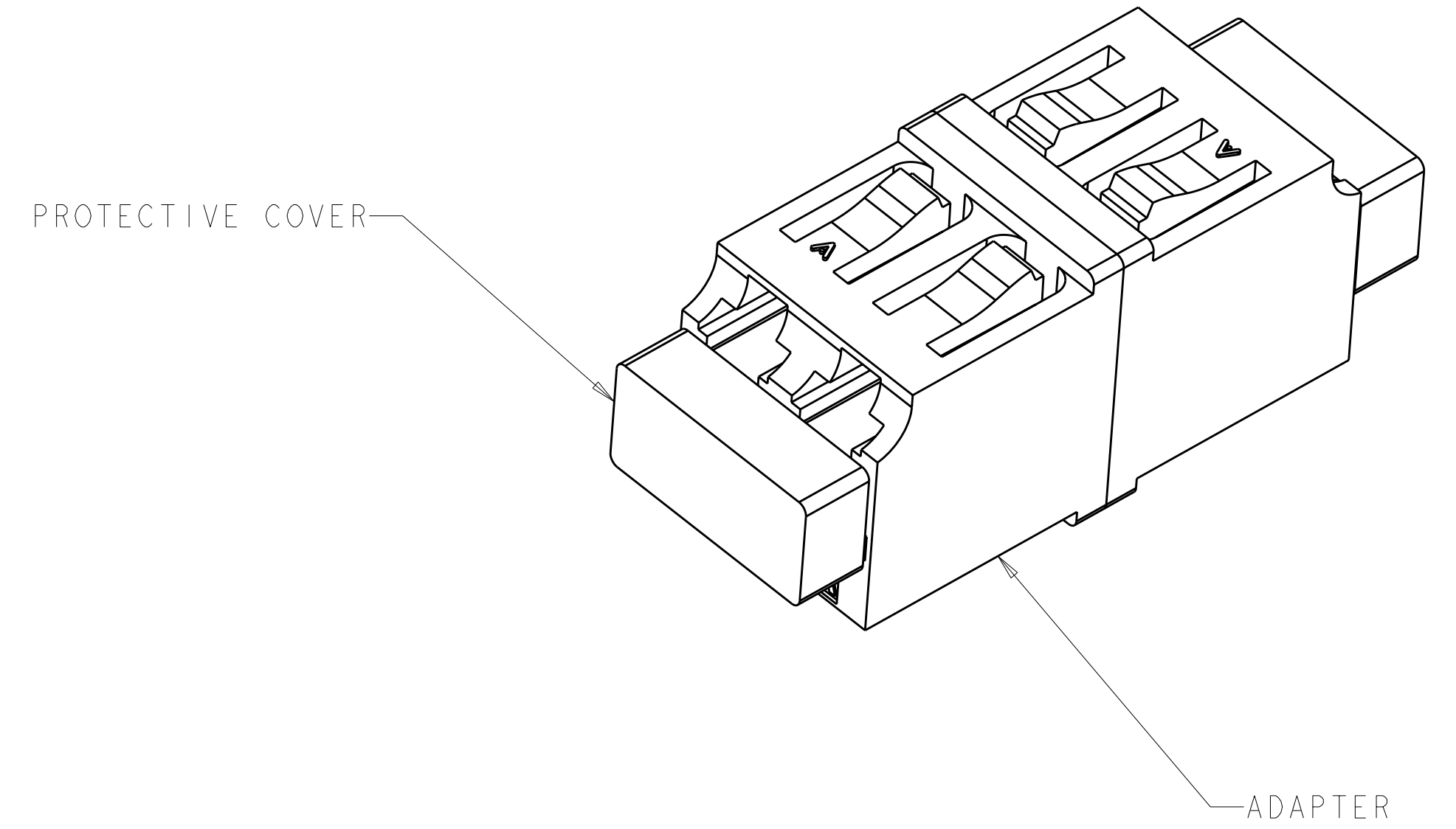
SIDE VIEW WITH PROTECTIVE COVERS SHOWN



PROTECTIVE COVERS NOT SHOWN



RECOMMENDED PANEL CUTOUT  
 MAX PANEL THK. 1.7



BEIGE	PHOS. BRONZE	1985149-4
BLUE	PHOS. BRONZE	1985149-3
BEIGE	CERAMIC	1985149-2
BLUE	CERAMIC	1985149-1
ADAPTER COLOR	ALIGNMENT SLEEVE	PART NO.

DIMENSIONS: mm 		TOLERANCES UNLESS OTHERWISE SPECIFIED: 0 PLC ± 1 PLC ± 2 PLC ± 3 PLC ± 4 PLC ± ANGLES ± FINISH ±		DWN: R. GLATFELTER 07 JUN 2007 CHK: E. HOPKINS 11 JUN 2007 APVD: D. BAECHTLE 11 JUN 2007 PRODUCT SPEC: APPLICATION SPEC: WEIGHT: CUSTOMER DRAWING		Tyco Electronics Corporation Shanghai, China NAME: LC ADAPTER ASSEMBLY, SR-SR SIZE: A1 CAGE CODE: - DRAWING NO: C-1985149 SCALE: 4:1 SHEET: 1 OF 1 REV: A1	
-----------------------	--	---	--	---	--	--	--