

THIS DRAWING IS UNPUBLISHED. RELEASED FOR PUBLICATION  
 © COPYRIGHT BY TYCO ELECTRONICS CORPORATION. ALL INTERNATIONAL RIGHTS RESERVED.

LOC		DIST		REVISIONS			
P	LTR	DESCRIPTION		DATE	DWN	APVD	
G	14	F1	REVISED PER ECR-09-021767	05OCT09	JR	TM	

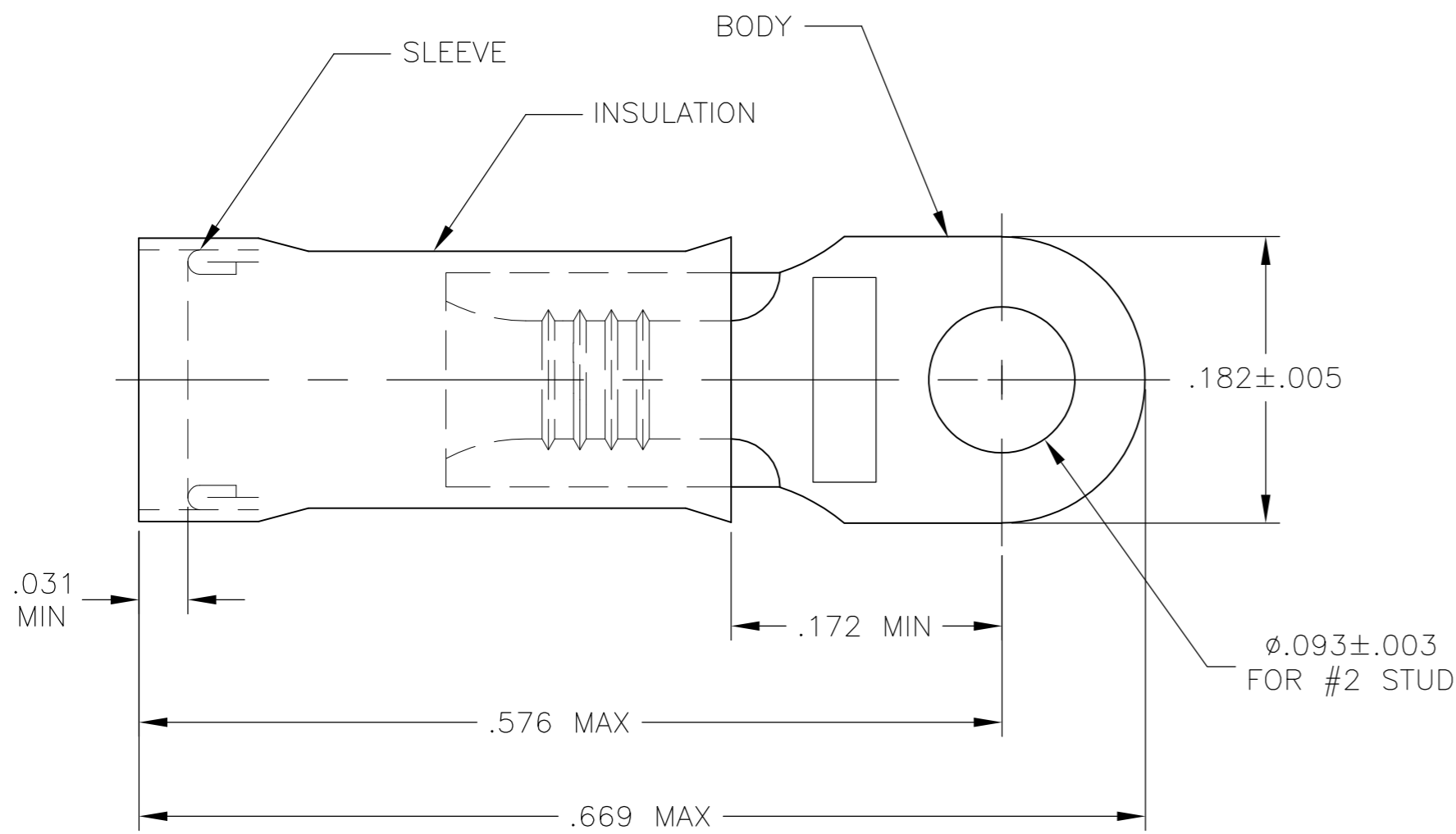


FIGURE 1

FOR .080 TO .125 WIRE INSULATION DIA

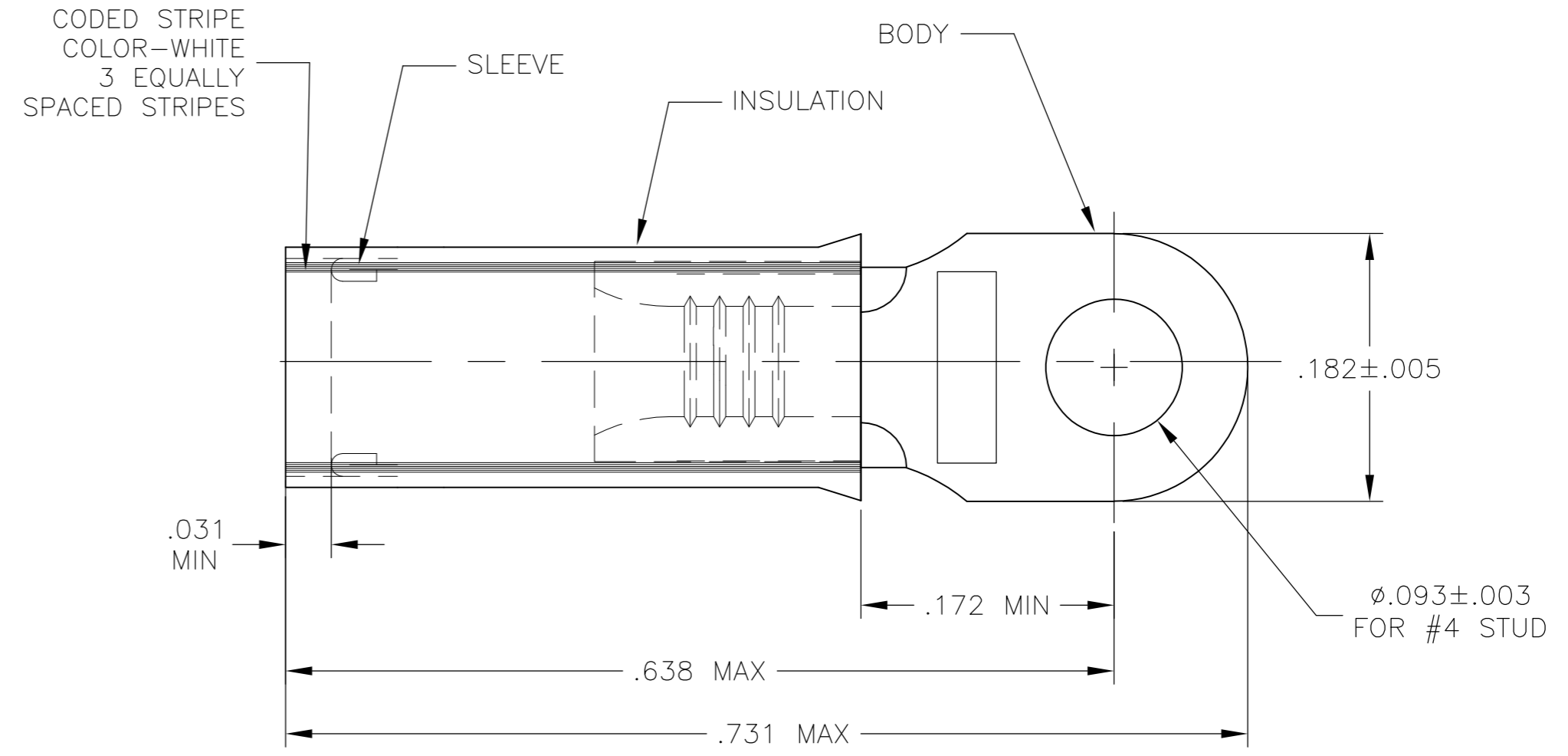


FIGURE 2

INSULATION RESTRICTING  
 FOR .056 TO .110 WIRE INSULATION DIA

1 TONGUE MATERIAL THK IS .031 ± .002

OBSOLETE

<del>1</del>	WIRE TERMINAL INSULATION RESTRICTING	BODY & SLEEVE: COPPER (ASTM-B152) TIN PL (ASTM-B545)  INSULATION: NYLON COLOR: RED (ASTM-D4066) TYPE 1	<del>2-324158-2</del>
5000	324158 ON TAPE	BODY & SLEEVE: COPPER (ASTM-B152) TIN PL (ASTM-B545)	2-324158-1
1	WIRE TERMINAL	INSULATION: NYLON COLOR: RED (ASTM-D4066) TYPE 1	324158
QTY	DESCRIPTION	MATERIAL & FINISH	PART NO

<del>2-324158-2</del>	FIGURE 2	#18	
324158	FIGURE 1	#22-#16	2-324158-1
PART NO.	STYLE	WIRE SIZE	PART NO. ON TAPE

OBSOLETE

THIS DRAWING IS A CONTROLLED DOCUMENT.		DWN JR RUTH 02OCT09	Tyco Electronics Corporation Harrisburg, PA 17105-3608
DIMENSIONS: INCHES		CHK TOM MICHIELUTTI 02OCT09	
TOLERANCES UNLESS OTHERWISE SPECIFIED:		APVD MIKE PERCHERKE 02OCT09	NAME TERMINAL, NYLON - PIDG - RING TONGUE WIRE SIZE: 22-16
0 PLC ± - 1 PLC ± - 2 PLC ± - 3 PLC ± .008 4 PLC ± - ANGLES ± 5°		PRODUCT SPEC -	SIZE A2
MATERIAL SEE TABLE		FINISH SEE TABLE	CAGE CODE 00779
		WEIGHT -	DRAWING NO 324158
		CUSTOMER DRAWING	
		SCALE 10:1	SHEET 1 OF 1
		REV F1	RESTRICTED TO -