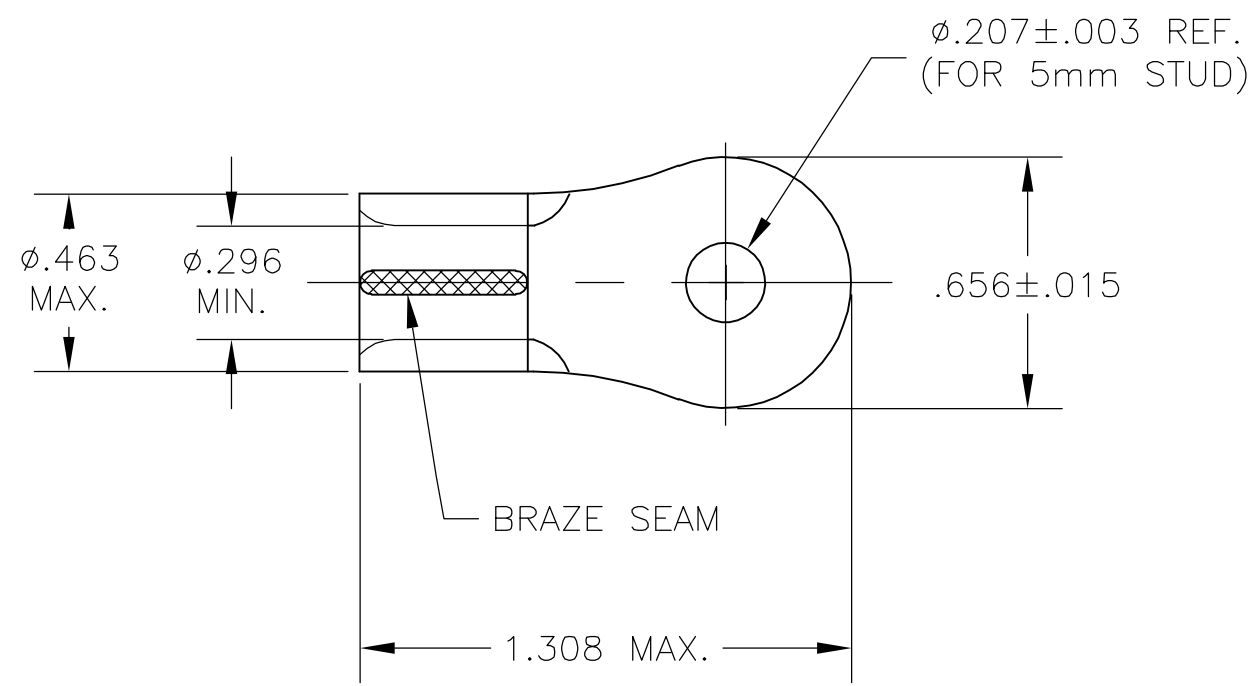


THIS DRAWING IS UNPUBLISHED. RELEASED FOR PUBLICATION
 © COPYRIGHT - BY TYCO ELECTRONICS CORPORATION. ALL RIGHTS RESERVED.

LOC	DIST	REVISIONS					
		P	LTR	DESCRIPTION	DATE	DWN	APVD
G	86		A	DRAWN	10MAR06	JR	TM

- 1 WIRE SIZE IS #4 AWG
- 2 TONGUE THICKNESS IS .070±.003



160119
 PART NO.

THIS DRAWING IS A CONTROLLED DOCUMENT.		DWN JR RUTH 10MAR06	Tyco Electronics Corporation Harrisburg, PA 17105-3608	
DIMENSIONS: INCHES		CHK T. MICHIELUTTI 10MAR06		
		APVD T. MICHIELUTTI 10MAR06	NAME T. MICHIELUTTI	
TOLERANCES UNLESS OTHERWISE SPECIFIED:		PRODUCT SPEC	TERMINAL, RING TONGUE, SOLISTRAND	
0 PLC ± -		APPLICATION SPEC	RESTRICTED TO	
1 PLC ± -		WEIGHT	SIZE A3	CAGE CODE 00779
2 PLC ± -		CUSTOMER DRAWING	DRAWING NO G-160119	SCALE 2:1
3 PLC ± .008			SHEET 1 OF 1	REV A
4 PLC ± -				
ANGLES ± -				
MATERIAL COPPER, ANNEALED	FINISH TIN PLATE			