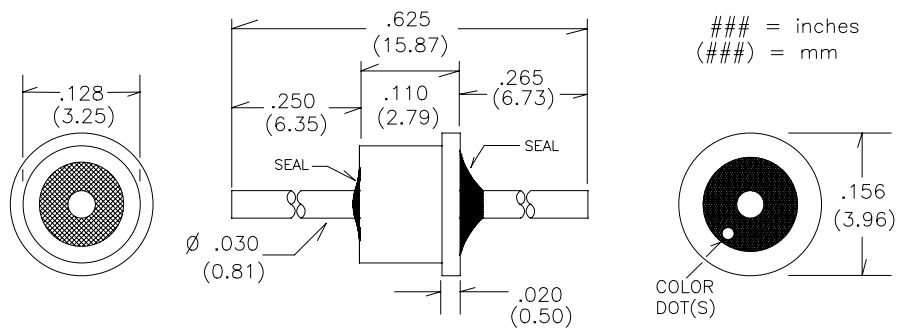
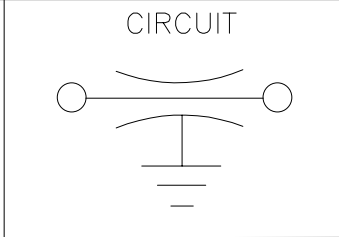


ZPC333A
 INDUSTRY STANDARD .128" DIAMETER
 33,000pF NON-HERMETIC SOLDER-IN



- * RoHS Compliant
- * Discoidal Capacitor Construction

PART NUMBER	EMI P/N	CAP. (pF)	COLOR DOT(S)	MAX. WVDC	DC AMPS	MINIMUM NO LOAD INSERTION LOSS				
						1 MHz	10 MHz	100 MHz	1 GHz	10 GHz
ZPC333A		33,000	2 RED	50	10	10	30	44	65	65

ELECTRICAL

CAPACITANCE TOLERANCE: +100/-0%

DISSIPATION FACTOR: 3.5% MAX.

INSULATION RESISTANCE:
 25° C=10,000 Mohm Min.
 125° C=1,000 Mohm Min.

DIELECTRIC STRENGTH (DWV):
 250% of WVDC (5 seconds)

TEMPERATURE CHARACTERISTIC:
 X7R or better

PHYSICAL

DIMENSION TOLERANCE:
 CASE LENGTH: +/- .010" (.250mm)
 LEAD LENGTH: +/- .030" (.762mm)
 LEAD DIAMETER: +/- .002" (.051mm)

MATERIAL AND FINISH:
 CASE: C12L14 CRS
 LEAD: Alloy 52
 FINISH: SILVER per QQ-S-365

IDENTIFICATION & LIMITS

MARKING: Color Dot standard per chart

OPERATING TEMP: -55° C to +125° C

INSTALLATION TEMPERATURE: 225° - 250° C

VENDOR: EMI FILTER COMPANY 12750 59th Way N. Clearwater, FL 33760 (727) 585-7990 (727) 586-5138 FAX www.emifiltercompany.com		FILTERS, EMI, SOLDER-IN STYLE, ECONOMY SEAL		
		FSCM NO.	DWG NO. ZPC333A REVD	REV D