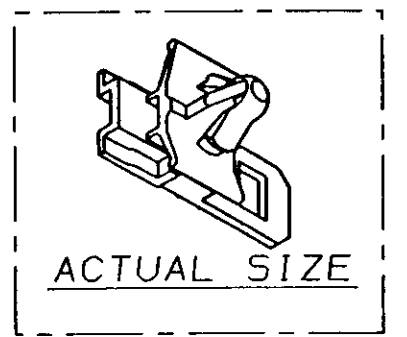
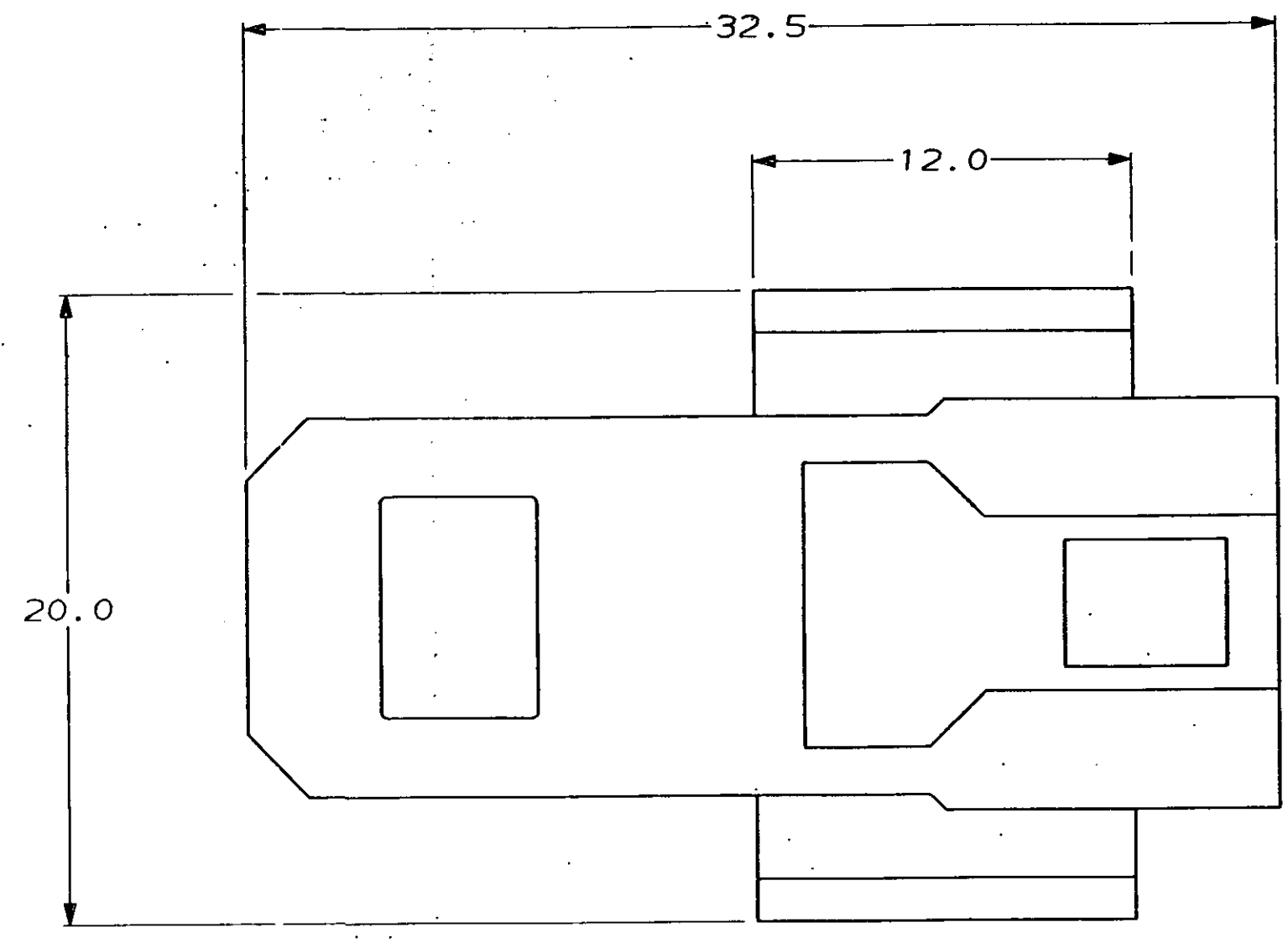
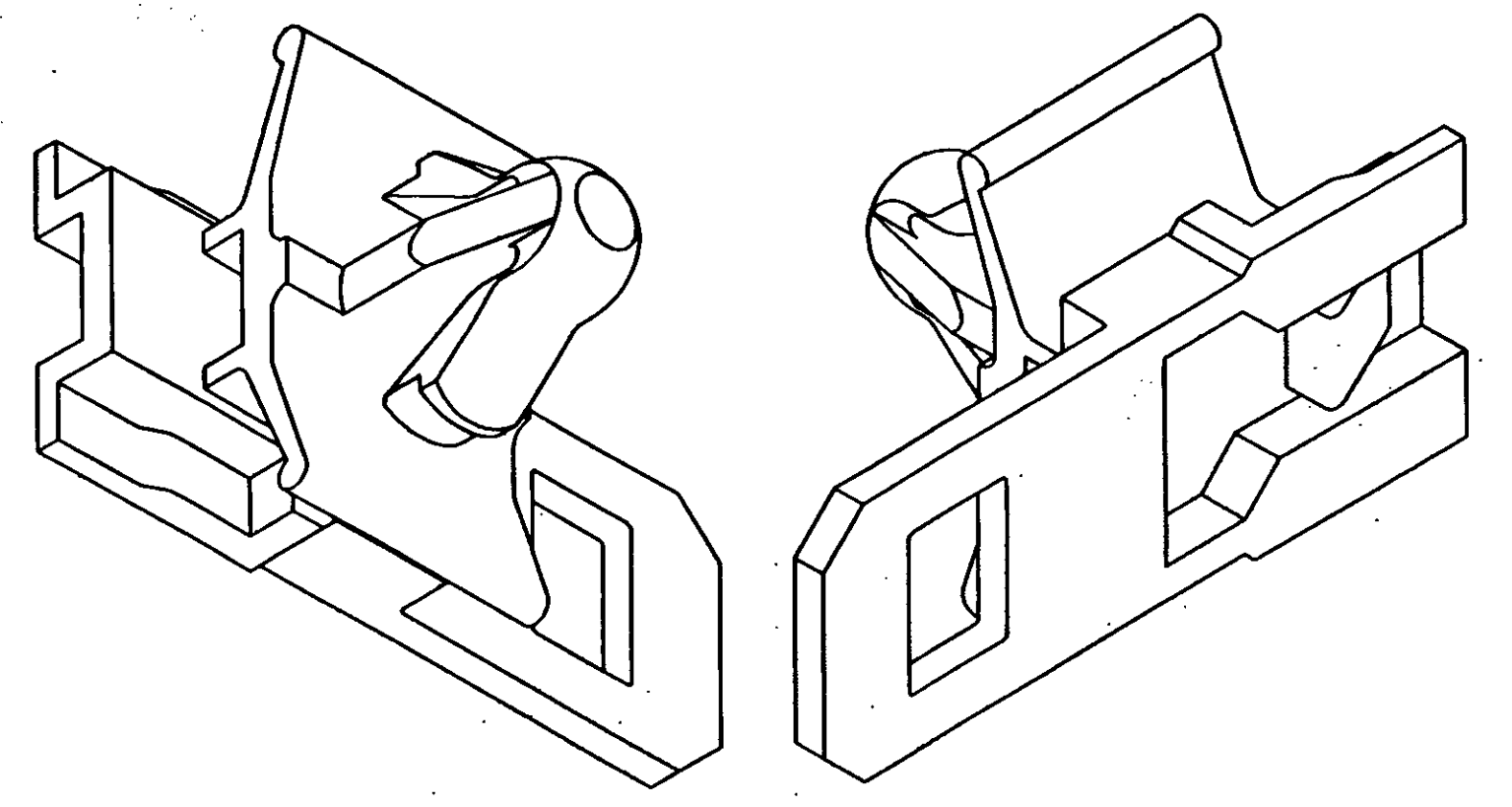
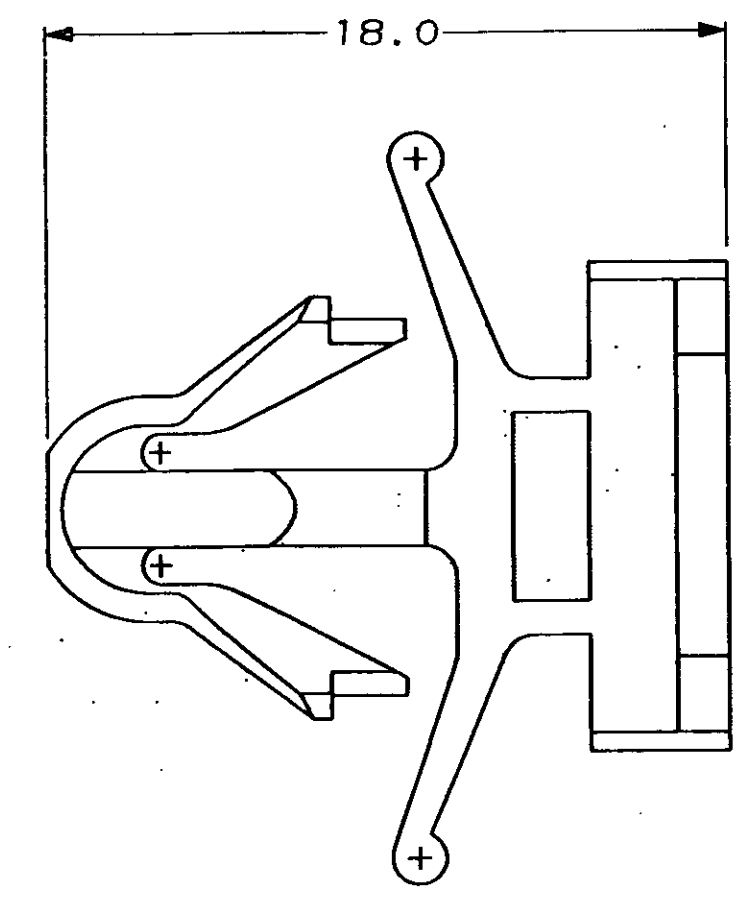
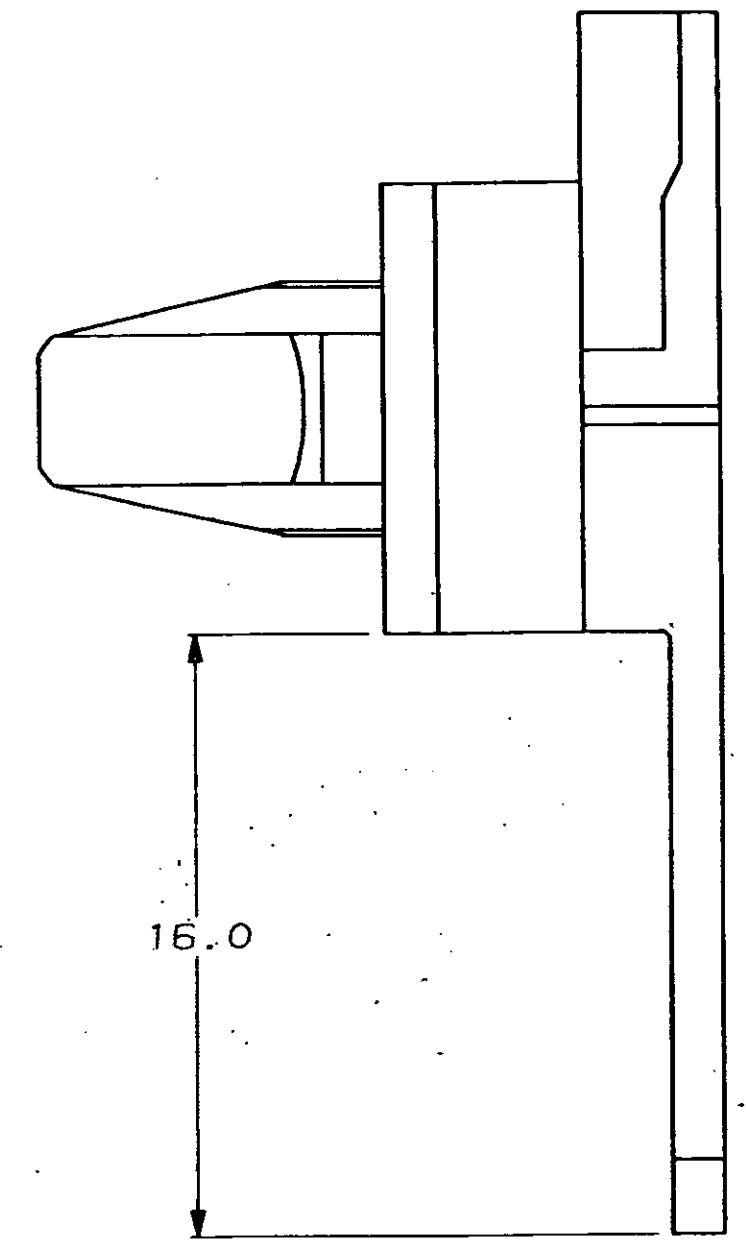


C.A.D. FILE CODE
S. C345485.0

DO NOT SCALE DIMENSIONS IN MM.



PANEL THICKNESS - 0.8-1.6mm
 PANEL HOLE SIZE - 6.5-7.0mm ϕ
 MINIMUM PULL OUT FORCE - 10kg

BLACK		NYLON 66		345485-1	
COLOUR		MATERIAL		PART NUMBER	
CUSTOMER DWG FOR REFERENCE ONLY			©COPYRIGHT 1990 BY AMP OF GREAT BRITAIN LTD. ALL INTERNATIONAL RIGHTS RESERVED. ALL PRODUCTS MAY BE COVERED BY BRITISH AND FOREIGN PATENTS AND/OR PATENTS PENDING.		RELEASED FOR PUBLICATION 14 AUG 1990
TOLERANCES UNLESS OTHERWISE STATED DEC ± 0.5 ANGLES ± 1°		DR. R. RUNAGALL.		14/08/90	
		CH. P. TANNER.		APP. J. PALMER.	
		AMP of Great Britain Ltd.		TERMINAL HOUSE STANMORE MIDDX.	
NAME DUAL PURPOSE BODY CLIP FOR ECON.111 OR 070 MULTILOCK HOUSINGS.					
0	REL. FOR PRODUCTION	CS721	25/02/91	SCALE 5/1	LOC E
REV	APPROVED	ECN	DATE	SIZE A2	DWG.No. C345485
				REV 0	SHEET 1/1