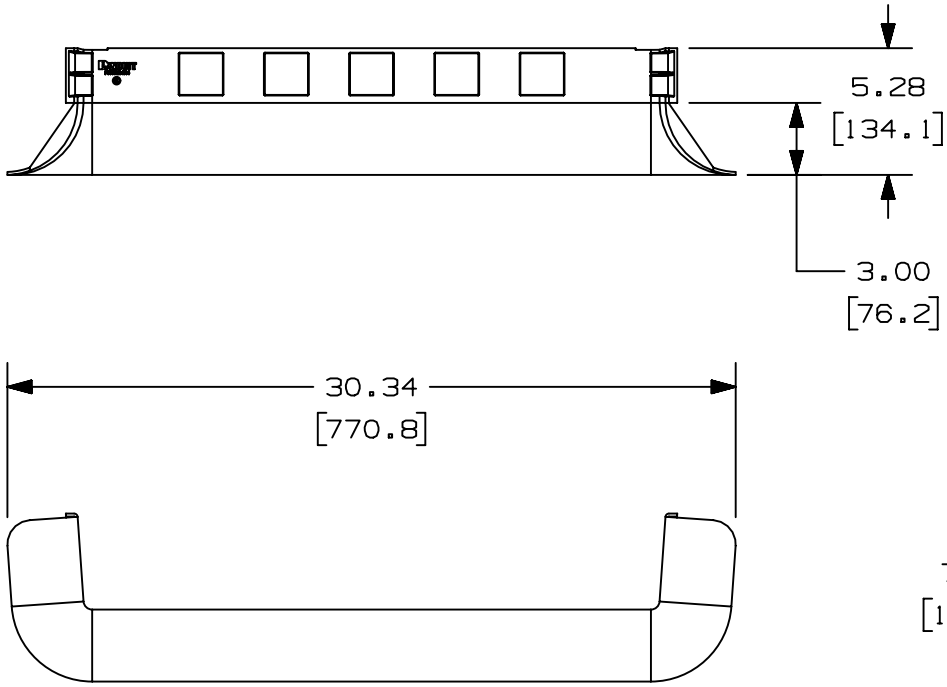


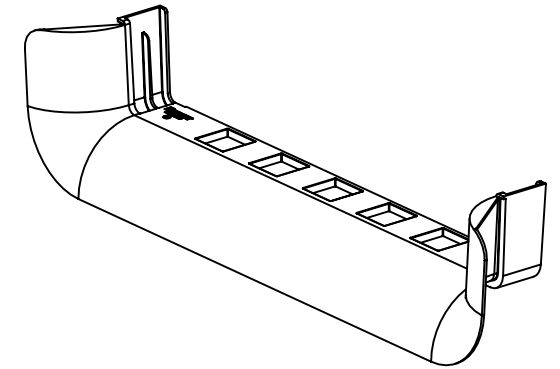
THIS COPY IS PROVIDED ON A RESTRICTED BASIS AND IS NOT TO BE USED IN ANY WAY DETRIMENTAL TO THE INTERESTS OF PANDUIT CORP.

NOTES:

1. SEE CURRENT CATALOG FOR ADDITIONAL PART SUFFIXES TO INDICATE COLOR AND/OR PACKAGE QUANTITY.
2. DIMENSIONS IN PARENTHESSES ARE IN METRIC.
3. THE FIBERRUNNER 24x4 3-SIDED BEND RADIUS CONTROL TRUMPET IS DESIGNED WITH A MINIMUM 3" (76.2) BEND RADIUS TO PROTECT FIBER OPTIC CABLES.



PANDUIT PART NUMBER	WEIGHT	MATERIAL
FRTR24X4**	1.51 LB/EACH (685g/EACH)	ABS
FRTR24X4L**	1.51 LB/EACH (685g/EACH)	PC/ABS



REV	DATE	BY	CHK	APR	DESCRIPTION	ECN
00B	08/25/20	PJST	DWR	DWR	ADDED PART NUMBER	V09002DZ/11
R	10/21/08	MSO	SL		RELEASE TO PRODUCTION	39701-70

TITLE FIBERRUNNER 24x4 3-SIDED BEND RADIUS CONTROL TRUMPET (FRTR24X4** & FRTR24X4L**) CUSTOMER DRAWING					
ITEM REVISION NAME D39701CN/00	PANDUIT				
DATASET FILE NAME D39701CN_DC/00B FRTR24X4					
MATERIAL: SEE PART NUMBER TABLE ABOVE					
DRAWING NUMBER: 39701-22					
DRAWN BY MSO	DATE 10/21/08	CHK SL	SCALE NONE	SHT 1 OF 1	SIZE A

D10100DA/14