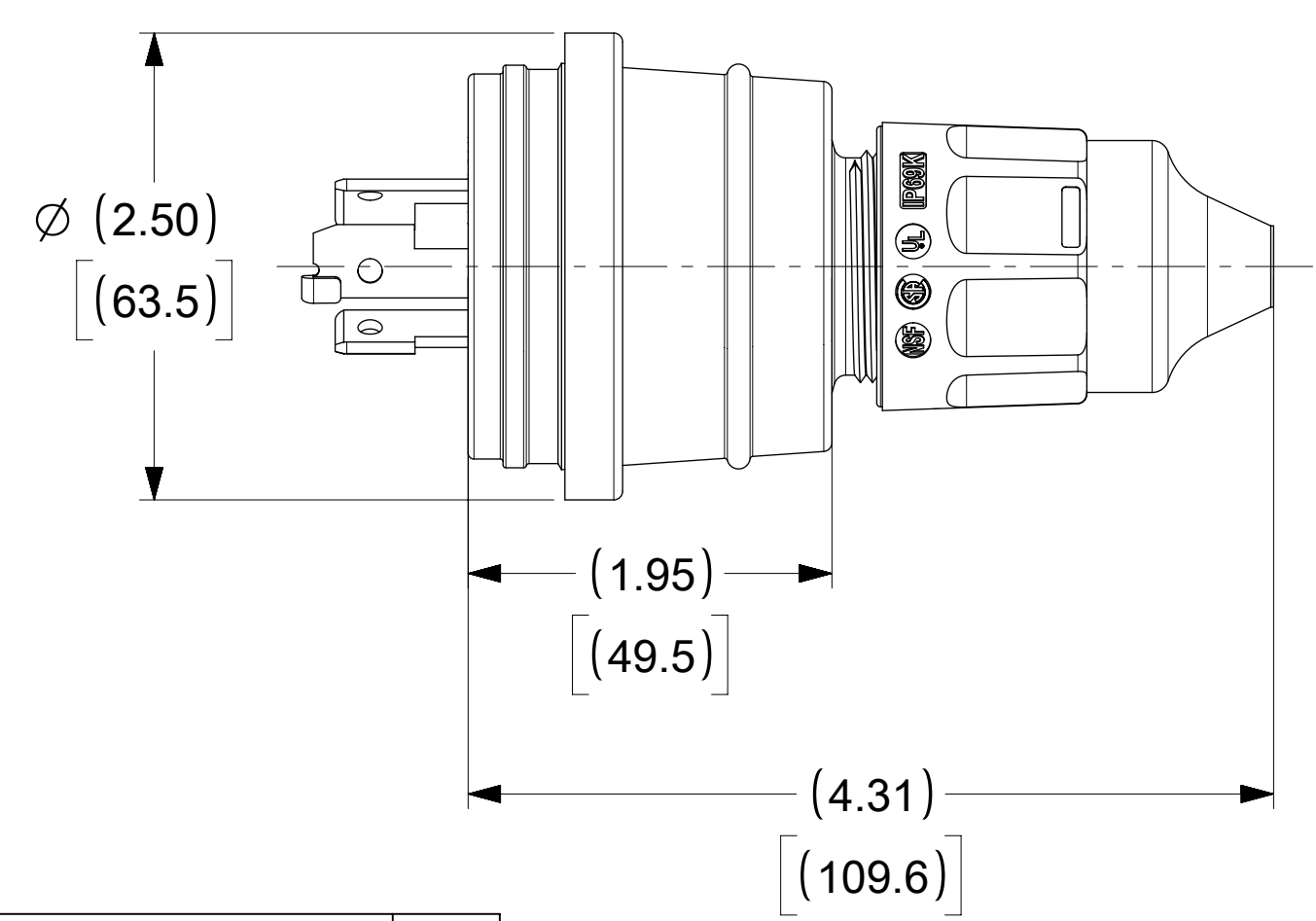
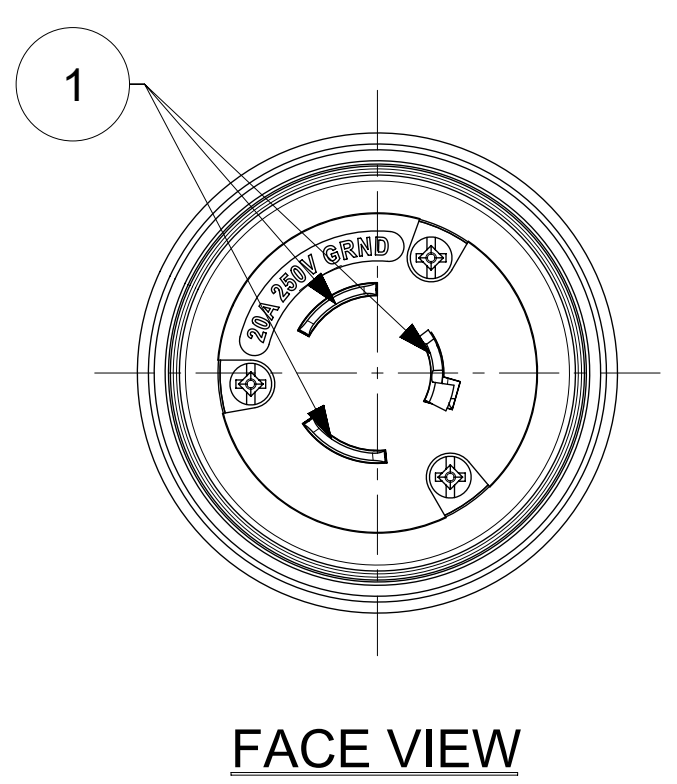
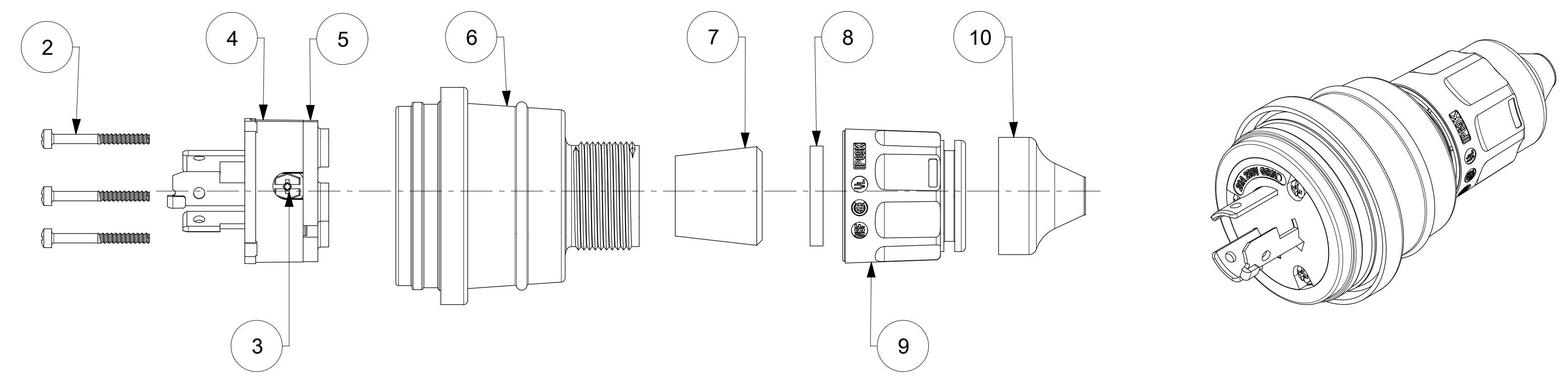


ORDER NO.	WOODHEAD NO.	COLOR
130147-0014	26W08G	YELLOW



ITEM NO.	DESCRIPTIONS	MATERIAL	QTY.
1	BLADE	BRASS, NICKEL PLATED	3
2	RETAINING SCREWS	STAINLESS STEEL	3
3	CLAMP AND TERMINAL SCREW ASSY	BRASS, ZINC PLATED	3
4	INSERT	NYLON	1
5	TERMINAL COVER	POLYCARBONATE	1
6	HOUSING	SILICONE WITH NYLON THREAD	1
7	GROMMET	RUBBER	4
8	FRICTION RING	NYLON	1
9	COMPRESSION NUT	NYLON	1
10	CABLE GLOVE	SILICONE	1

NOTE:
1. ACCEPT CABLE RANGE FROM .437" TO .750"

SYMBOLS DIMENSION UNITS: INCH[MM] SCALE: NTS GENERAL TOLERANCES (UNLESS SPECIFIED): 4 PLACES ± .005 3 PLACES ± .004 2 PLACES ± .003 1 PLACE ± .002 0 PLACES ± .001 ANGULAR TOL ± ° DRAFT WHERE APPLICABLE MUST REMAIN WITHIN DIMENSIONS		THIS DRAWING CONTAINS INFORMATION THAT IS PROPRIETARY TO MOLEX ELECTRONIC TECHNOLOGIES, LLC AND SHOULD NOT BE USED WITHOUT WRITTEN PERMISSION. CURRENT REV DESC: EC NO: 617826 DRWN: DSOPPIN 2019/01/09 CHK'D: DNGUYEN62 2019/06/03 APPR: HKNEELAND 2019/10/16 INITIAL REVISION: DRWN: DSOPPIN 2019/01/09 APPR: HKNEELAND 2019/10/16 THIRD ANGLE PROJECTION DRAWING SERIES: C-SIZE 130147		 WATERTITE PLUG TURNEX 3P3W NON-NEMA PRODUCT CUSTOMER DRAWING DOCUMENT NUMBER: 1301470014 DOC TYPE: PSD DOC PART: 000 REVISION: A MATERIAL NUMBER: SEE TABLE CUSTOMER: GENERAL MARKET SHEET NUMBER: 1 OF 1		
--	--	---	--	---	--	--