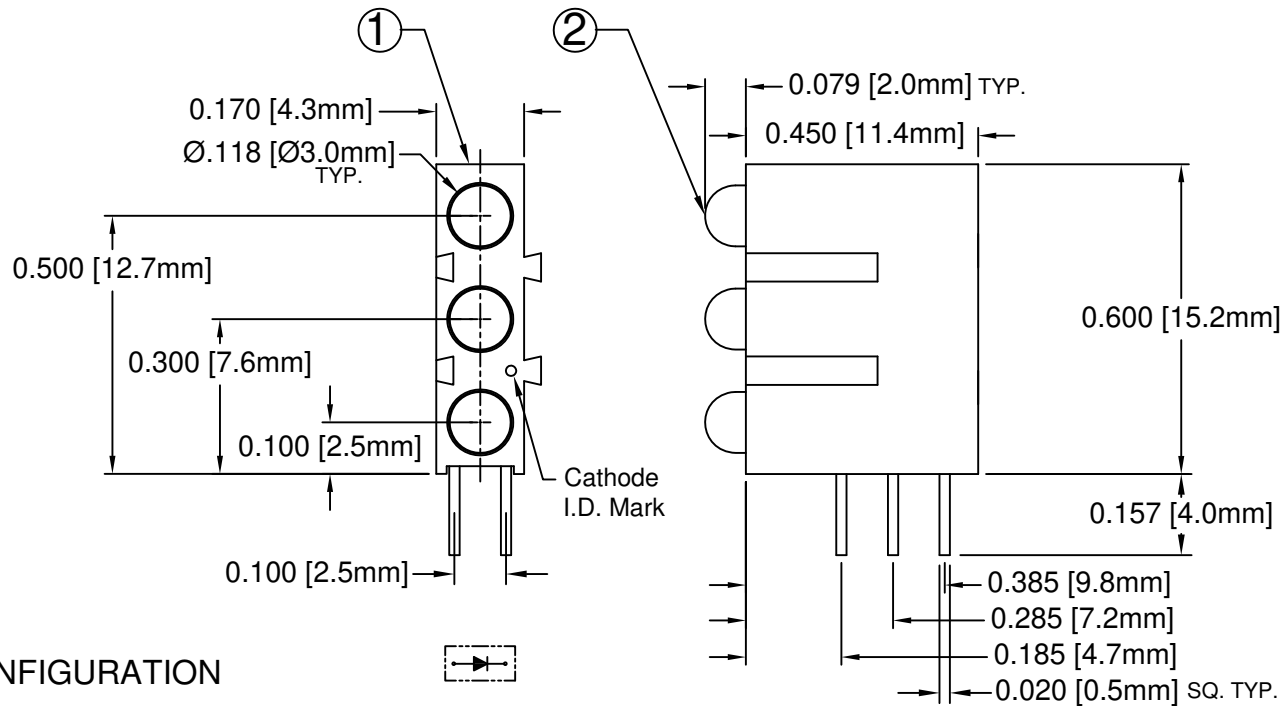


ITEM	Q'TY	PART NUMBER	PART DESCRIPTION
1	1	H-310C	T-1 (3mm) Tri-Level LED Holder, 90° Mount, Interlocking
2	3	3XX-201-S	T-1 (3mm) Extended Profile Shouldered LED, See Page 2

REV.	DESCRIPTION	DATE	APPROVED
A	Engineering Update w/o Changes	03/08/04	M. C.
B	LED Package Change to 3XX-201-S LEDs	12/14/07	M. C.
C	Typo, H315SRD should be H315CSR	06/22/12	M. C.
D	Removed Part Numbers, See Page 2	03/04/15	J. C.
E	Engineering Update w/o Changes	06/24/16	J. C.



NOTE: P/N CONFIGURATION



**H315CYGYDL**

H315 Holder  
Series

Color of top LED  
- Use "X" if blank

Color of middle LED  
- Use "X" if blank

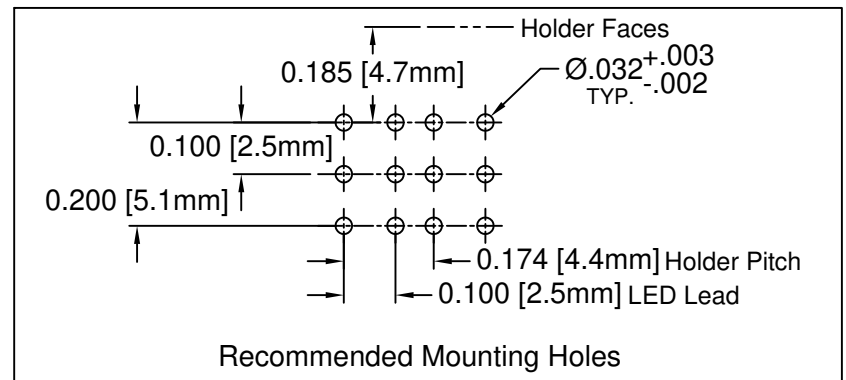
- " " Standard LED  
- "L" Low Current LED

Lens Appearance

Color of bottom LED  
- Use "X" if blank

-If LEDs are the same,  
use e.g. H315CGD

All Green LEDs



### ABSOLUTE MAXIMUM RATINGS (Ta=25° C)

REVERSE VOLTAGE \_\_\_\_\_ 5V

REVERSE CURRENT \_\_\_\_\_ 100uA

OPERATING TEMPERATURE RANGE \_\_\_\_\_ -25° C - 85° C


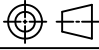
STORAGE TEMPERATURE \_\_\_\_\_ -30° C - 100° C

LEAD SOLDERING TEMPERATURE(1/16" FROM BODY) \_\_\_\_\_ 260° C FOR 5 SECONDS

STANDARD TOLERANCE (UNLESS OTHERWISE SPECIFIED)		BIVAR®	
DECIMALS	ANGULAR	4 THOMAS, IRVINE, CA. 92618	
.X ± .1	X° ± 1°	TEL: (949) 951-8808 FAX: (949) 951-3974	
.XX ± .02		<b>TITLE:</b> T-1 (3MM) INTERLOCKING 90° TRI-LEVEL LED ASSY	
.XXX ± .010		<b>PART NO:</b> H315CXX	
DESIGNED: <b>T. Yin</b>	DATE: <b>03/08/04</b>	REVISION: <b>E</b>	
CHECKED: <b>D. Green</b>	DATE: <b>03/08/04</b>	<b>CAGE CODE :</b> 32559 <b>SHEET # 1 OF 2</b>	
CAD GENERATED DOCUMENT. DO NOT MEASURE DRAWING.			

REV.	DESCRIPTION	DATE	APPROVED
	SEE SHEET #1		

LED Assy. No.	Peak Wave Length $\lambda_p$ (nm)	Emitted Color	Lens Appearance	Electro-Optical Data				Viewing Angle $2\theta \frac{1}{2}$ (Deg)	LED P/N
				If (mA)	Vf (V)		Iv (mcd)		
				TYP	TYP	MAX	TYP		
<b>STANDARD</b>				<b>Data @ 20m A</b>					
H315CBWD	430	BLUE	DIFFUSED	20	4.0	4.5	20	45	3BWD-201-S
H315CGD	565	GREEN	DIFFUSED	20	2.2	2.6	30	45	3GD-201-S
H315CYD	585	YELLOW	DIFFUSED	20	2.1	2.6	20	45	3YD-201-S
H315CHD	635	HE RED	DIFFUSED	20	2.0	2.6	30	45	3HD-201-S
H315CRD	655	RED	DIFFUSED	20	1.7	2.0	6	45	3RD-201-S
H315CSRDL	660	SUPER RED	DIFFUSED	20	2.2	2.6	90	45	3SRDL-201-S
<b>LOW CURRENT</b>				<b>Data @ 2m A</b>					
H315CGDL	565	GREEN	DIFFUSED	2	1.8	2.6	6	45	3GDL-201-S
H315CYDL	585	YELLOW	DIFFUSED	2	1.8	2.6	4	45	3YDL-201-S
H315CHDL	635	HE RED	DIFFUSED	2	1.8	2.6	6	45	3HDL-201-S

STANDARD TOLERANCE ( UNLESS OTHERWISE SPECIFIED ) $\pm 10\%$ ALL VALUES    ANGULAR		 4 THOMAS, IRVINE, CA. 92618 TEL: (949) 951-8808    FAX: (949) 951-3974	
			
DESIGNED: <b>T. Yin</b>	DATE: <b>03/08/04</b>	<b>TITLE:</b> T-1 (3MM) INTERLOCKING 90° TRI-LEVEL LED ASSY	
CHECKED: <b>D. Green</b>	DATE: <b>03/08/04</b>	<b>PART NO:</b> H315CXX	REVISION: <b>E</b>
		<b>CAGE CODE :</b> 32559	<b>SHEET # 2 OF 2</b>
CAD GENERATED DOCUMENT. DO NOT MEASURE DRAWING.			