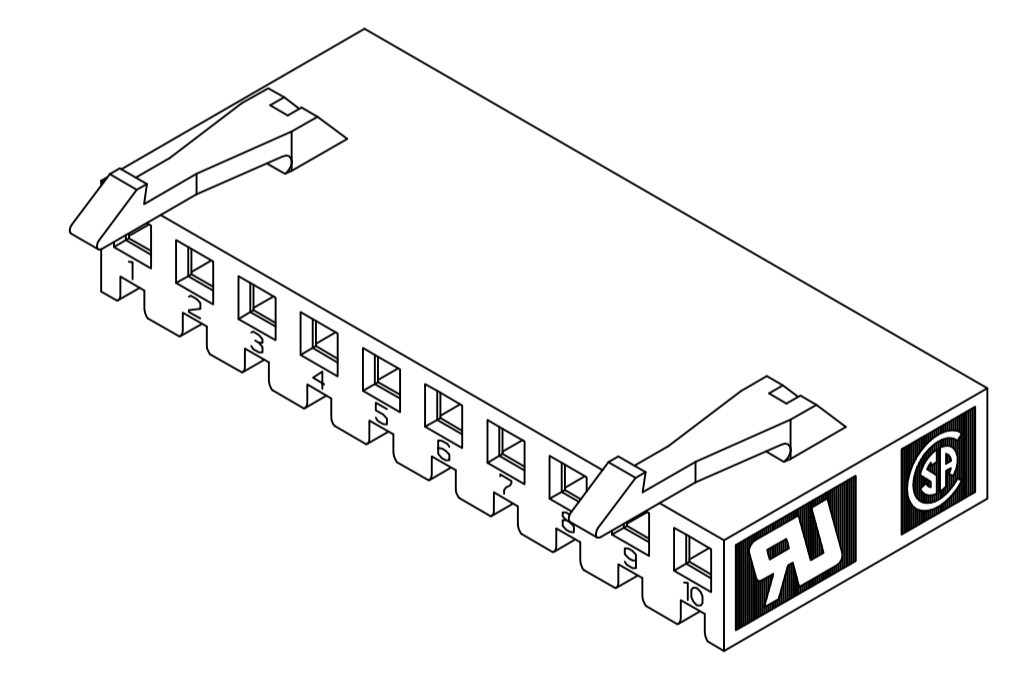
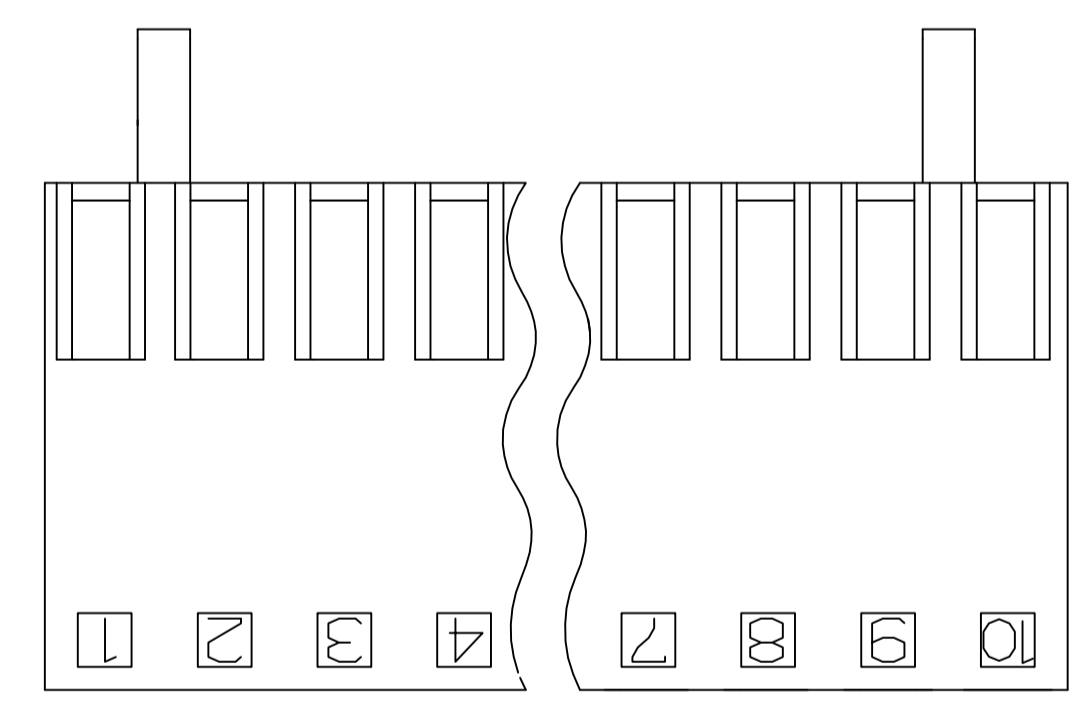
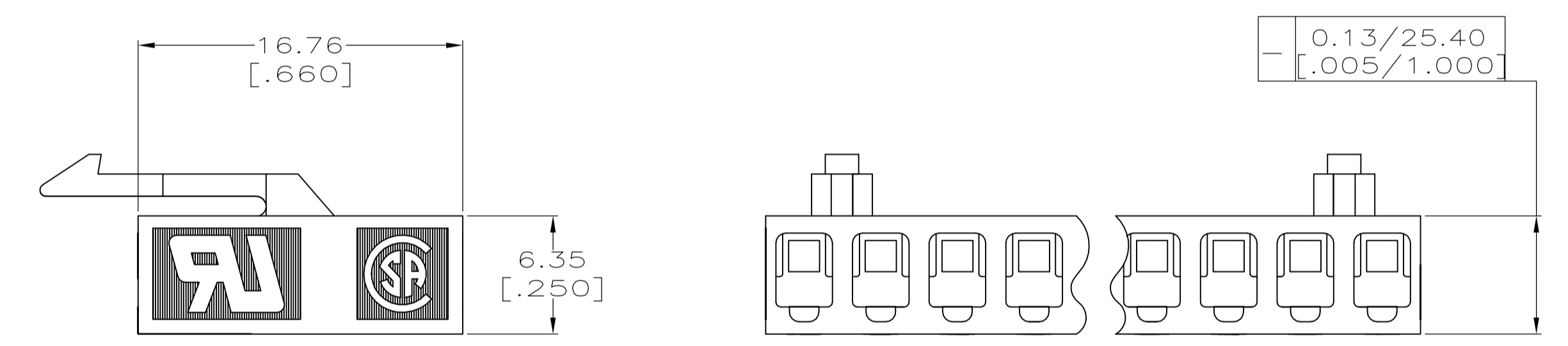
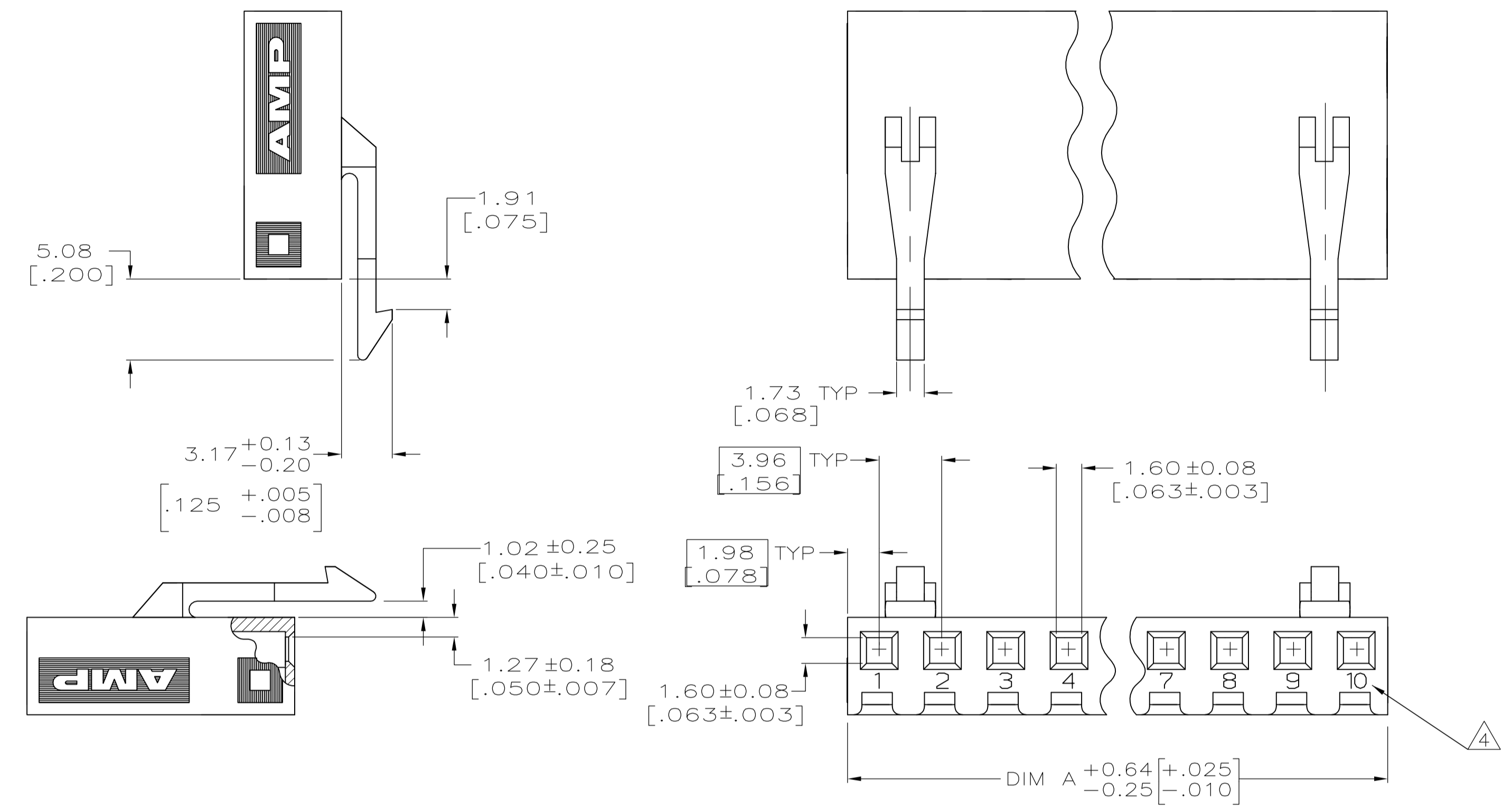
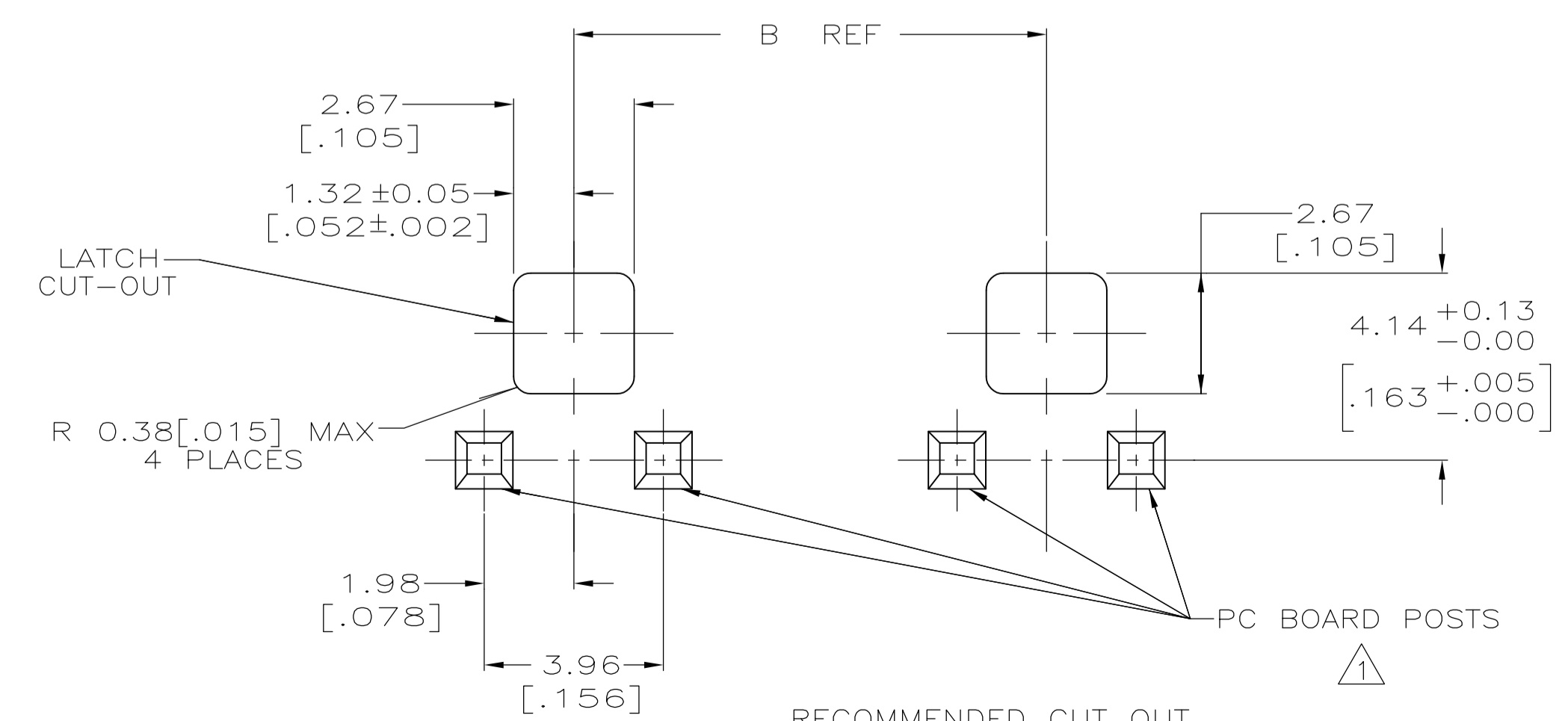


- 1 UNIT ACCEPTS A 1.14 [.045] SQUARE OR ROUND POST. POST LENGTH ABOVE THE P.C. BOARD IS TO BE 8.89-11.81 [.350-.465].
- 2 UNIT ACCEPTS STANDARD SL-156 CONTACTS.
- 3 UNIT ACCEPTS KEYING PLUG 640254-1 AND KEYING PIN 640255-1.
- 4 IDENTIFICATION NUMBER FOR LAST CIRCUIT MAY NOT APPEAR ON HOUSING.
- 5 THE NUMBER AND LOCATION OF PRINTED CIRCUIT BOARD CUT-OUTS TO CORRESPOND TO THE THROUGH BOARD LATCHES ON THE CONNECTOR POSITION SIZE BEING USED.
- 6 DIMENSIONS IN BRACKETS ARE IN INCHES.
- 7 THE ASSEMBLED UNIT (HOUSING AND CONTACTS) IS RATED FOR A MAXIMUM OF THREE (3) MATING AND UNMATING CYCLES TO THE BOARD MOUNTED POSTS, UNLESS THE HOUSING LATCHES ARE FIRST DEPRESSED. IF THE LATCHES ARE DEPRESSED SO AS TO AVOID ENGAGEMENT WITH THE BOARD, THEN A MAXIMUM OF TWENTY FIVE (25) MATING AND UNMATING CYCLES ARE ALLOWED.
- 8 THE RECOMMENDED MAXIMUM NUMBER OF UNMATING CYCLES FOR THE P.C. BOARD ITSELF IS TEN (10), UNLESS THE HOUSING LATCHES ARE FIRST DEPRESSED.
- 9 MOISTURIZATION DURING PACKAGING OF PRODUCT MAY AFFECT SOME DIMENSIONS. ALL PARTS TO BE MEASURED DRIED AS MOLDED.



3-DIMENSIONAL MODEL NTS



RECOMMENDED CUT OUT FOR 1.57 [.062] THICK P.C. BOARD SCALE 8:1

1 AND 2 & 9 AND 10	31.70 [1.248]	39.62 [1.560]	10	1-770894-0
1 AND 2 & 8 AND 9	27.74 [1.092]	35.66 [1.404]	9	770894-9
4 AND 5	-	31.70 [1.248]	8	770894-8
3 AND 4	-	27.74 [1.092]	7	770894-7
3 AND 4	-	23.77 [.936]	6	770894-6
2 AND 3	-	19.81 [.780]	5	770894-5
2 AND 3	-	15.85 [.624]	4	770894-4
1 AND 2	-	11.89 [.468]	3	770894-3
1 AND 2	-	7.92 [.312]	2	770894-2
LATCH LOCATION CENTERED BETWEEN CKTS	DIM B		DIM A	NO OF CKTS
				PART NUMBER

THIS DRAWING IS A CONTROLLED DOCUMENT.

DIMENSIONS: mm [INCHES]	TOLERANCES UNLESS OTHERWISE SPECIFIED:	DIN N. GANNON 4-6-92	STE TE Connectivity
0 PLC ± -	1 PLC ± 0.13 [.005]	CHK R. SWING 4-6-92	NAME HOUSING WITH THROUGH BOARD LATCH, SL-156
2 PLC ± -	3 PLC ± -	APVD E. BEILES 4-7-92	SIZE CASE CODE DRAWING NO. A1 00779 C=770894
4 PLC ± -	ANGLES ± -	PRODUCT SPEC	RESTRICTED TO
MATERIAL NYLON,UL 94V-2 NATURAL	FINISH -	APPLICATION SPEC	WEIGHT -
		CUSTOMER DRAWING	SCALE 4:1 SHEET 1 OF 1 REV G