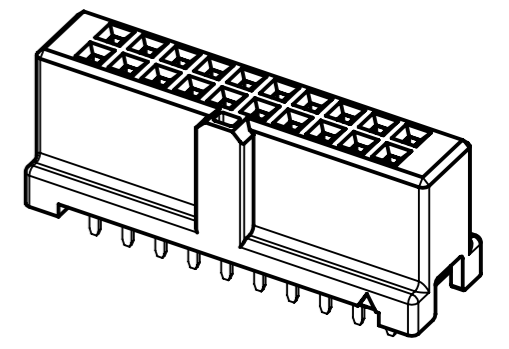


Number of contacts(P)	Part number	Dim A	Dim B	Dim C	Packing quantity
6	0919 506 X824	5,08	12,42	2,9	100pcs
10	0919 510 X824	10,16	17,5		100pcs
14	0919 514 X824	15,24	22,58		100pcs
16	0919 516 X824	17,78	25,12		100pcs
20	0919 520 X824	22,86	30,2		100pcs
26	0919 526 X824	30,48	37,82		100pcs
30	0919 530 X824	35,56	42,9		100pcs
34	0919 534 X824	40,64	47,98		100pcs
40	0919 540 X824	48,26	55,6		100pcs
50	0919 550 X824	60,96	68,3		50pcs
60	0919 560 X824	73,66	81	50pcs	
64	0919 564 X824	78,74	86,08	50pcs	
6	0919 506 X822	5,08	12,42	4,5	100pcs
10	0919 510 X822	10,16	17,5		100pcs
14	0919 514 X822	15,24	22,58		100pcs
16	0919 516 X822	17,78	25,12		100pcs
20	0919 520 X822	22,86	30,2		100pcs
26	0919 526 X822	30,48	37,82		100pcs
30	0919 530 X822	35,56	42,9		100pcs
34	0919 534 X822	40,64	47,98		100pcs
40	0919 540 X822	48,26	55,6		100pcs
50	0919 550 X822	60,96	68,3		50pcs
60	0919 560 X822	73,66	81	50pcs	
64	0919 564 X822	78,74	86,08	50pcs	

Numbering system:  
 0919 5XX X82X

- Contact length:  
 2: contact length= 4,5mm  
 4: contact length= 2,9mm
- Performance level:  
 6=PL2  
 7=PL3  
 5=S4(NM30)
- Number of contacts



1 Recommended configuration of plated through holes and further information see product data sheet

All rights reserved Department EL PD		All Dimensions in mm Original Size DIN A3	Scale 2:1	Free size tol. complementary IEC 60603-13	Ref. Sub.
HARTING D-32339 Espelkamp	Created by SHENGJ	Inspected by WANGSTE	Standardisation 302077	Date 2021-05-24	State Final Release
Title <b>SEK 19 female solder straight THR - mezzanine</b>					Doc-Key / ECM-Nr. 100919598/UGD/000/A 500000194173
Type <b>TB</b>		Number <b>09195XXX82X</b>			Rev. <b>A</b>
					Page 1/1