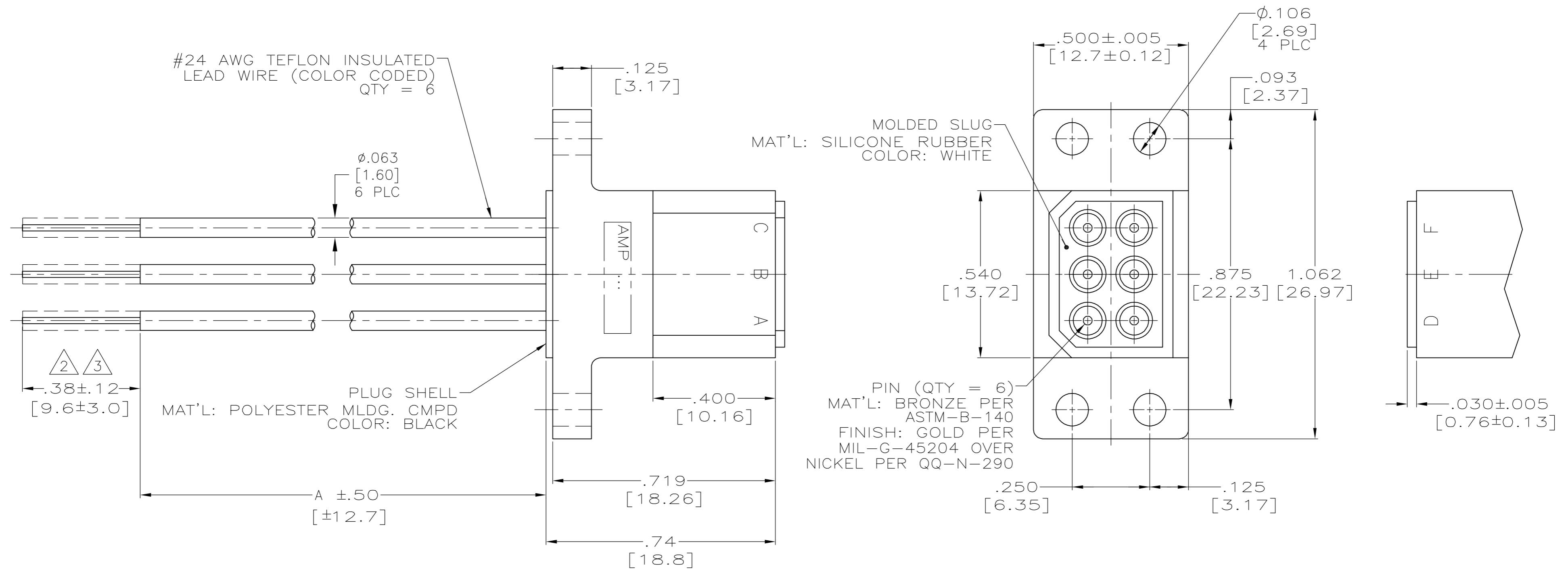


LOC		DIST		REVISIONS			
P	LTR	DESCRIPTION		DATE	DWN	APVD	
DF	S0	E	REV PER ECO-05-011907	15MAY06	PY	DE	



1. LETTERS & AMP INFO. MARKED PER MIL-STD-130.
 2. PIGTAILS ARE SOLDER DIPPED.
 3. INSULATION CUT BUT NOT REMOVED

A	BROWN
B	RED
C	GREEN
D	BLUE
E	BLACK
F	WHITE

SCHMATIC

OBSOLETE	3	36.00 [914.4]	5-867464-3
	2	36.00 [914.4]	867464-3
	2	24.00 [609.6]	867464-2
	2	12.00 [304.8]	867464-1
REMARKS	A DIM		PART NO.

THIS DRAWING IS A CONTROLLED DOCUMENT.

DWN	C.C.THOMAS	9-18-91
CHK	S.GLADFELTER	9-23-91
APVD	-	-
PRODUCT SPEC	-	
APPLICATION SPEC	-	
MATERIAL	SEE CALLOUTS	FINISH
WEIGHT	-	SCALE
CUSTOMER DRAWING	SCALE 4:1	SHEET 1 OF 1

tyco Electronics Tyco Electronics Corporation
 Harrisburg, Pa 17105-3608

PLUG ASSY, 6 POSN WITH FLYING LEADS, LGH

SIZE A2 CAGE CODE 00779 DRAWING NO C=867464 RESTRICTED TO -

REV E

867464