

NOTES:

1. MATERIALS AND FINISHES:

- BODY - BRASS, NICKEL PLATING
- FERRULE - BRASS, NICKEL PLATING
- LOCK WASHER - BRASS, NICKEL PLATING
- HEX NUT - BRASS, NICKEL PLATING
- LOCK RING - BRASS, GOLD PLATING
- CONTACT - PHOSPHOR BRONZE, GOLD PLATING
- INSULATORS - PTFE, NATURAL
- GASKET - SILICON RUBBER, RED

2. ELECTRICAL:

- A. IMPEDANCE: 75 OHM
- B. FREQUENCY RANGE: DC-12 GHz
- C. VSWR(RETURN LOSS): 1.22 (20 dB) MAX @ DC-6 GHz
1.43 (15 dB) MAX @ 6-12 GHz
- D. DIELECTRIC WITHSTANDING VOLTAGE: 1500 VRMS, MIN.

3. MECHANICAL:

- A. DURABILITY: 500 CYCLES MIN.
- B. TEMPERATURE RANGE: -65°C TO +165°C

4. CRIMPED FERRULE
HEX CRIMP SIZE .319"

5. CRIMPED CONTACT PIN
SQ. CRIMP SIZE .042"

6. SHOWS CABLE ENTRY DIMENSIONS

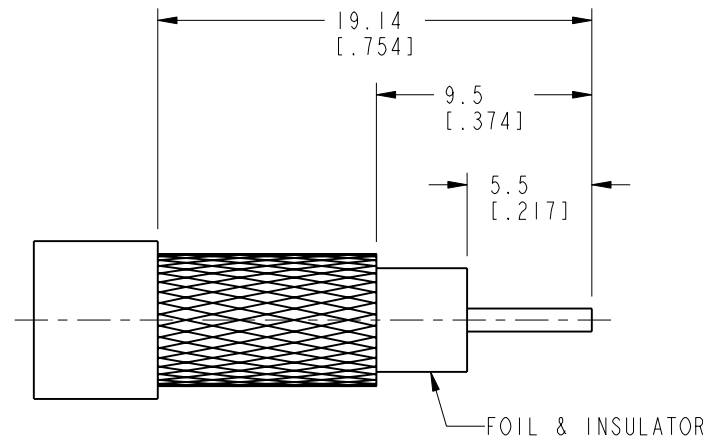
7. PACKAGING:

- A. QUANTITY: SINGLE PACK
- B. MARKING: PACKAGING TO BE MARKED
"AMPHENOL RF, 31-70565-12G & DATE CODE"

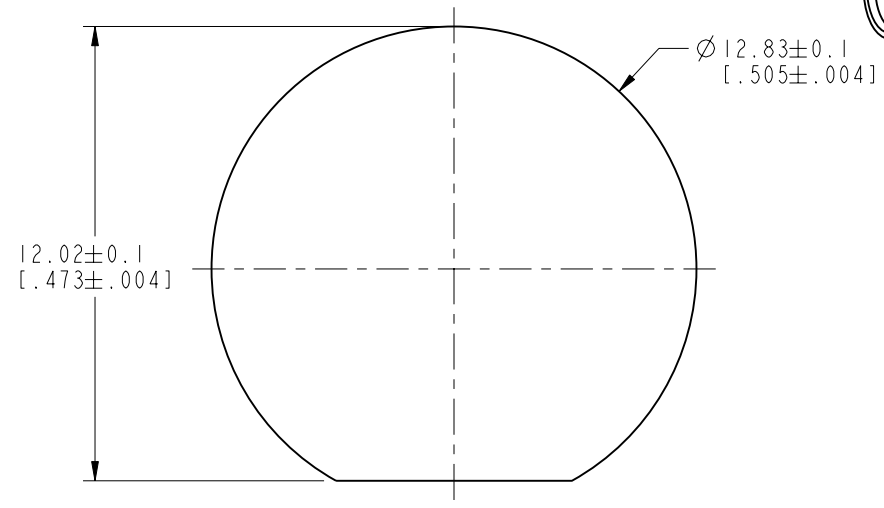
THIRD ANGLE PROJ.

REVISIONS

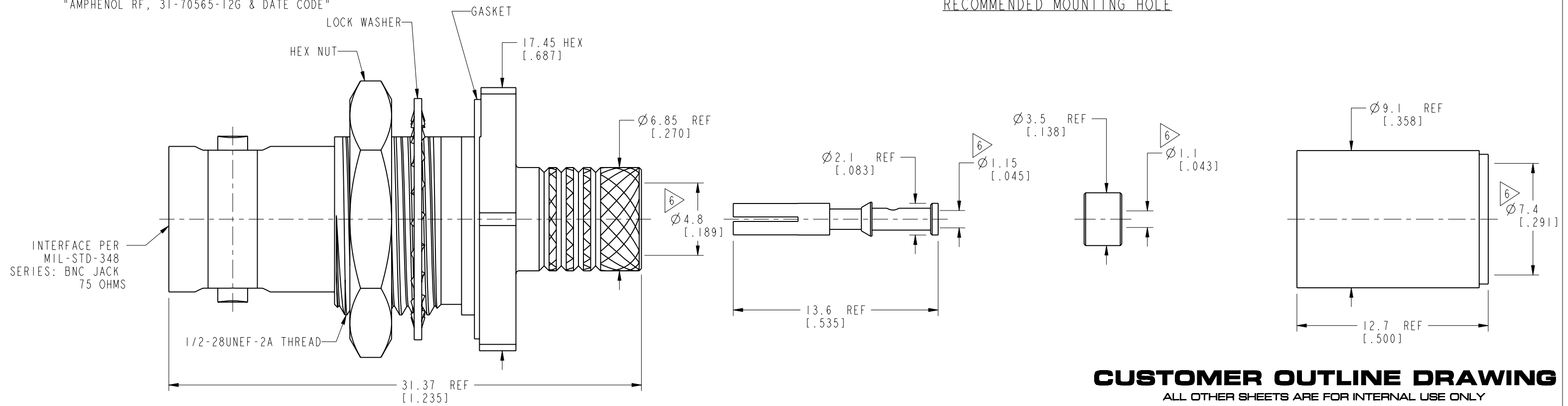
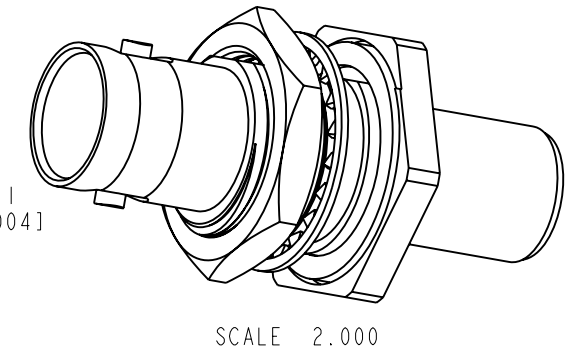
REV	DESCRIPTION	DATE	ECN	APPR
A	RELEASE TO MFG.	28-Jun-19	12045	EH



RECOMMENDED CABLE STRIPPING DIMENSIONS



RECOMMENDED MOUNTING HOLE



CUSTOMER OUTLINE DRAWING
ALL OTHER SHEETS ARE FOR INTERNAL USE ONLY

<p>UNLESS OTHERWISE SPECIFIED, DIMENSIONS ARE IN METRIC AND TOLERANCES ARE: <0.5mm ±0.05mm 0.5 - 6mm ±0.1mm 6 - 30mm ±0.2mm 30 - 120mm ±0.3mm ANGLES ±1°</p>	MATERIAL NOTE 1	DRAWN W. ZENG	DATE 29-Jun-19	TITLE BNC BULKHEAD JACK FOR BELDEN 4694R CABLE		<p>Amphenol RF www.amphenolrf.com</p>
	REFERENCE EAR# 8870	ENGINEER S. DUAN	DATE 4-Jul-19	SCALE: 4.0:1.0 SHEET 2 OF 2		
<p>NOTICE - These drawings, specifications, or other data (1) are, and remain the property of Amphenol corp. (2) must be returned upon request; and (3) are confidential and not to be disclosed to any person other than those to whom they are given by Amphenol Corp. the furnishing of these drawings, specifications, or other data by Amphenol Corp., or to any other person to anyone for any purpose is not to be regarded by implication or otherwise in any manner licensing, granting rights to permitting such holder or any other person to manufacture, use or sell any product, process or design, patented or otherwise, that may in any way be related to or disclosed by said drawings, specifications, or other data.</p>	REF:	APPROVED S. HSIEH	DATE 4-Jul-19	DWG SIZE B	REV A	ITEM NO. 31-70565-12G
	CONFIGURATION LEVEL: In Work	CAD FILE				
FINISH						