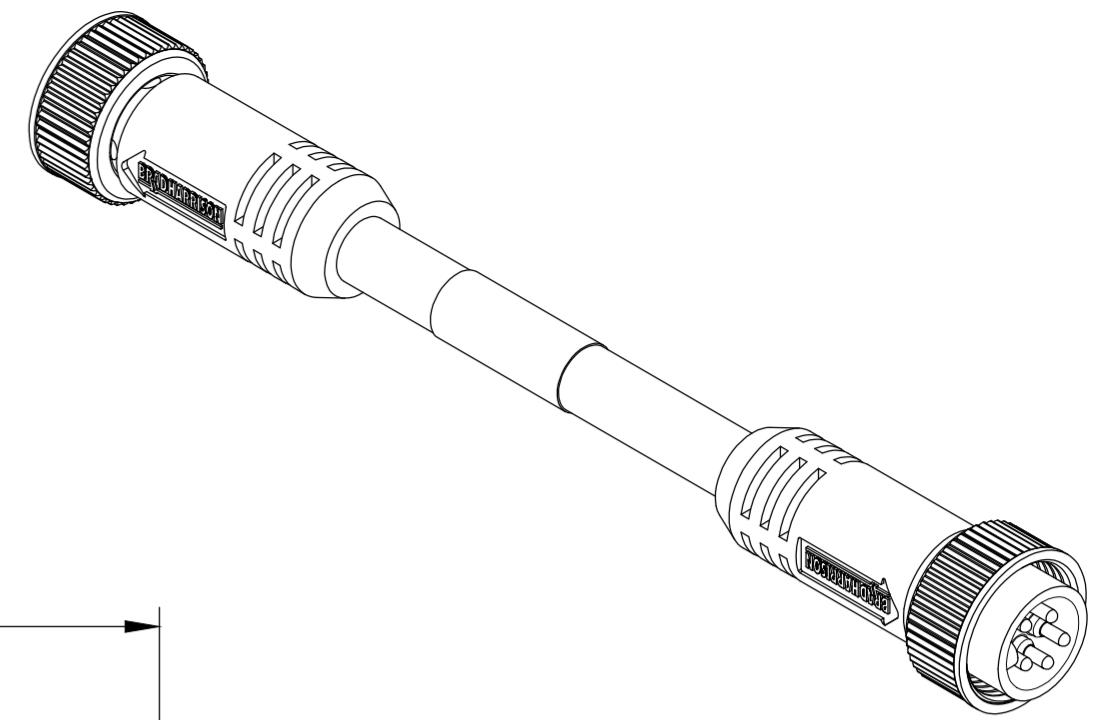


PART NO	ENGINEERING NO.	FINISHED LENGTH
1300100999	115020A01F030	3FT [0.9M]
1300101005	115020A01F060	6FT [1M 32 IN]
1300101013	115020A01F120	12FT [3M 26 IN]
1300101016	115020A01F150	15FT [4M 22 IN]
1300101020	115020A01F200	20FT [6M 4 IN]

### (B) PART NUMBER LEGEND

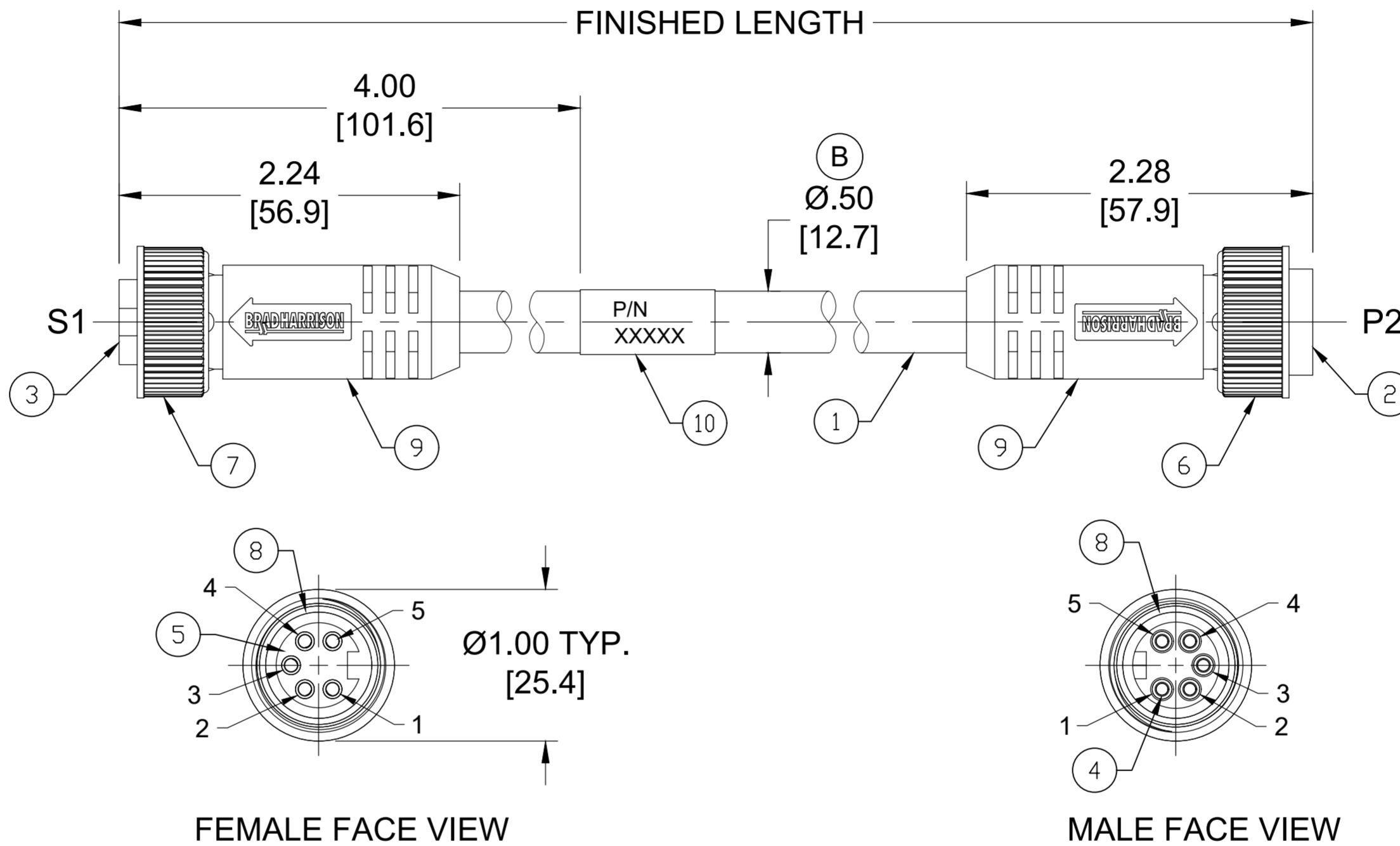
115020A01F030

FINISHED LENGTH  
 F010 = 1 FEET  
 F100 = 10 FEET  
 F300 = 30 FEET



#### NOTES:

- MATERIAL: AS NOTED
- FINISH: AS NOTED
- ELECTRICAL:  
 VOLTAGE: 400V PER IEC60664  
 600V PER UL2238  
 CURRENT: 8A
- TEMP RATING: -20° TO +105°C
- PROTECTION: IP67 (WHEN MATED)
- COUPLING THREAD: 7/8"-16UN
- UL RECOGNIZED FILE: E152210  
 CSA CERTIFIED FILE: LR6837
- ALL DIMENSIONS ARE FOR REFERENCE  
 UNLESS TOLERANCED OR NOTED OTHERWISE



FEMALE FACE VIEW

MALE FACE VIEW

ITEM	COMPONENT	MATERIAL	FINISH
10	WRAP LABEL	VINYL	BLACK/YELLOW
9	OVERMOLD	TPE	YELLOW
8	FRICITION RING	NYLON	WHITE
7	FEMALE COUPLING NUT	ZINC DIE CAST	BLACK-E-COAT
6	MALE COUPLING NUT	ZINC DIE CAST	BLACK-E-COAT
5	CONTACT SOCKET	BRASS	GOLD OVER NICKEL
4	CONTACT PIN	BRASS	GOLD OVER NICKEL
3	FEMALE INSERT	TPE	YELLOW
2	MALE INSERT	TPE	YELLOW
1	CABLE #16 AWG, STOOW/ST	PVC JACKET	YELLOW

S1	Color	P2
1	WHITE	1
2	RED	2
3	GREEN/YELLOW - GND	3
4	ORANGE	4
5	BLACK	5

#### WIRING DIAGRAM

#### CABLE LENGTH TOLERANCES

- <.3M [1FT]: +19mm-0 [+ .75in-0]
- .3 - .9M [1 - 3FT]: +44.5mm-0 [+1.75in-0]
- .9 - 1.8M [3 - 6FT]: +55.6mm-0 [+2.19in-0]
- 1.8 - 3.7M [6 - 12FT]: +88.9mm-0 [+3.50in-0]
- 3.7 - 7.3M [12 - 24FT]: +165.1mm-0 [+6.50in-0]
- 7.3-14.6M [24 - 48FT]: +317.5mm-0 [+12.50in-0]
- 14.6 - 30.5M [48-100FT]: +622.3mm-0 [+24.50in-0]
- OVER 30M [100FT] +2% OF FINISHED LENGTH

FUNCTIONAL SYMBOLS FA=0 FC=0 FP=0	THIS DRAWING CONTAINS INFORMATION THAT IS PROPRIETARY TO MOLEX ELECTRONIC TECHNOLOGIES, LLC AND SHOULD NOT BE USED WITHOUT WRITTEN PERMISSION		CURRENT REV DESC: ITEM# 2, 3 & 9 WERE PVC. ITEM #10 WAS MYLAR. SHOWN SOCKET & SLEEVE AS ITEM #5. ADDED UL, CSA, CABLE DIA, IEC VOLTAGE, PN LEGEND & TOL CHART. MODIFIED PN CHART	
	DIMENSION UNITS <b>INCH/MM</b>	SCALE <b>NTS</b>	EC NO: 698916	DRWN: ABENJAMINLW 2021/05/25
GENERAL TOLERANCES (UNLESS SPECIFIED)		DRWN: LHARTMAN 2009/08/10	CHK'D: RSTONE 2022/03/09	
DIVISIONAL SYMBOLS		APPR: BWOODMAN 2022/03/11	INITIAL REVISION:	
4 PLACES ±--- ±---		APPR: JFMURPHY 2009/08/14		<b>SD-130010-006</b>
3 PLACES ±--- ±---		DRWN: LHARTMAN 2009/08/10		
2 PLACES ±--- ±---		APPR: JFMURPHY 2009/08/14		DOC TYPE/DOC PART/REVISION PSD 001 B
1 PLACE ±--- ±---		ANGULAR TOL ± --- °		PRODUCT CUSTOMER DRAWING
0 PLACES ±--- ±---		DRAFT WHERE APPLICABLE MUST REMAIN WITHIN DIMENSIONS		DOCUMENT NUMBER <b>SD-130010-006</b>
THIRD ANGLE PROJECTION		DRAWING <b>C-SIZE</b>	SERIES <b>130010</b>	MATERIAL NUMBER SEE CHART
CUSTOMER GENERAL MARKET		SHEET NUMBER 1 OF 1		