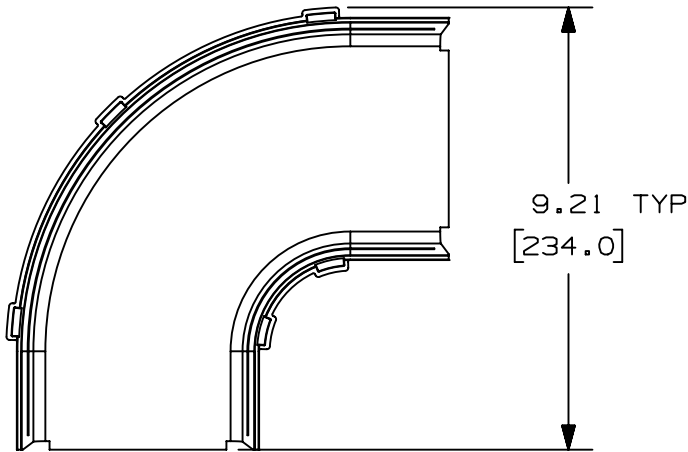


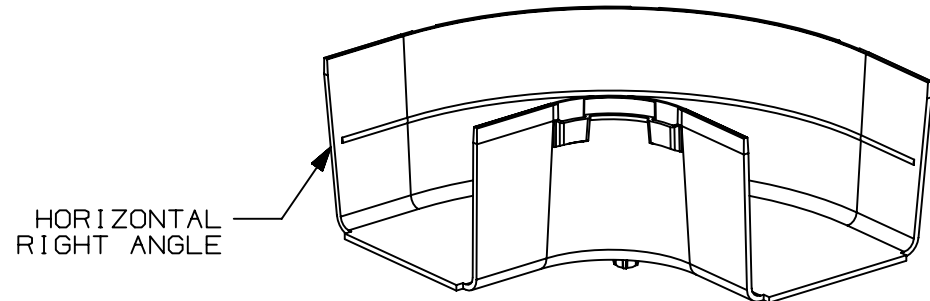
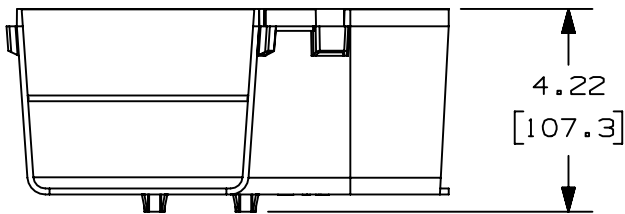
THIS COPY IS PROVIDED ON A RESTRICTED BASIS AND IS NOT TO BE USED IN ANY WAY DETRIMENTAL TO THE INTERESTS OF PANDUIT CORP.

NOTES:

1. SEE CURRENT CATALOG FOR ADDITIONAL PART SUFFIXES TO INDICATE COLOR AND/OR PACKAGE QUANTITY.
2. THE FIBERRUNNER 4x4 HORIZONTAL RIGHT ANGLE FITTING IS DESIGNED WITH A MINIMUM 2" (50.8) BEND RADIUS TO PROTECT FIBER OPTIC CABLES.
3. PARTS SUPPLIED:
(1) - HORIZONTAL RIGHT ANGLE
4. DIMENSIONS IN PARENTHESES ARE IN METRIC.



PANDUIT PART NUMBER	WEIGHT	MATERIAL
FRRA4X4**	0.69 LB/EACH (315g/EACH)	ABS
FRRA4X4L**	0.69 LB/EACH (315g/EACH)	PC/ABS



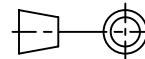
TITLE
**FIBERRUNNER 4X4 HORIZONTAL RIGHT ANGLE FITTING
 (FRRA4X4**, FRRA4X4L**)**

ITEM REVISION NAME
D37847BF/08

DATASET FILE NAME
D37847BF_DC_FRRA4X4/08A

PANDUIT

MATERIAL:
 SEE PART NUMBER
 TABLE ABOVE



THIRD ANGLE
 PROJECTION

DRAWING NUMBER:
37847-54

REV	DATE	BY	CHK	APR	DESCRIPTION	ECN
08A	8/27/20	MEX-JAGC	DWR	DWR	ADDED PART NUMBER	V09002DZ/11

DRAWN BY JHNU	DATE 07-16-01	CHK RPA	SCALE NONE	SHT 1 OF 1	SIZE A
------------------	------------------	------------	---------------	------------	-----------

D10100DA/15