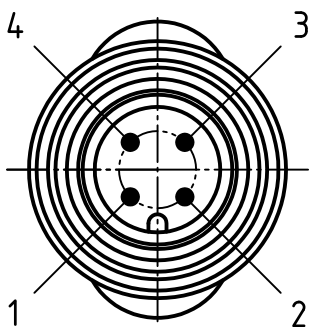
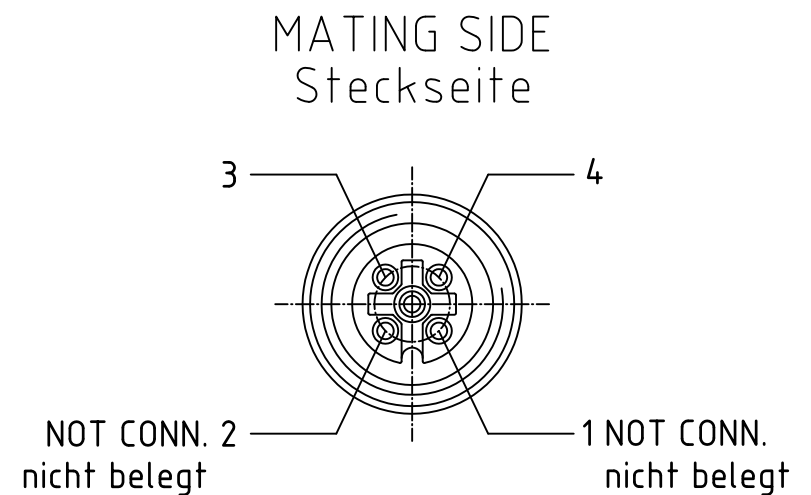


VIEW / Ansicht X

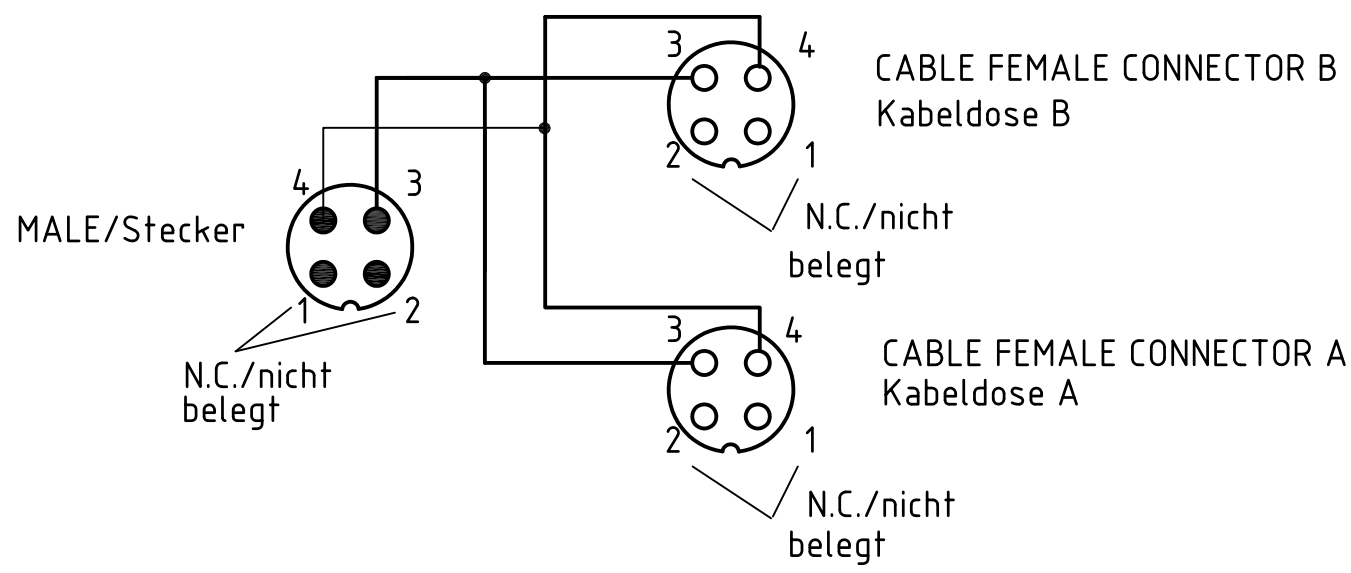


MATING SIDE
Steckseite

VIEW / Ansicht Y

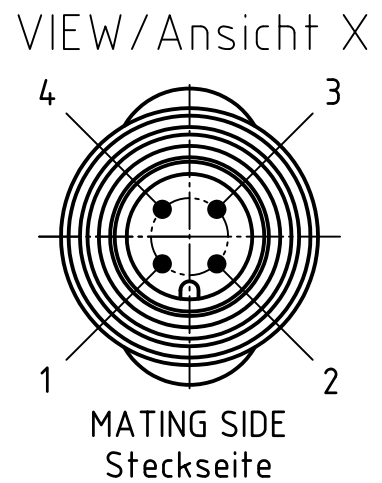
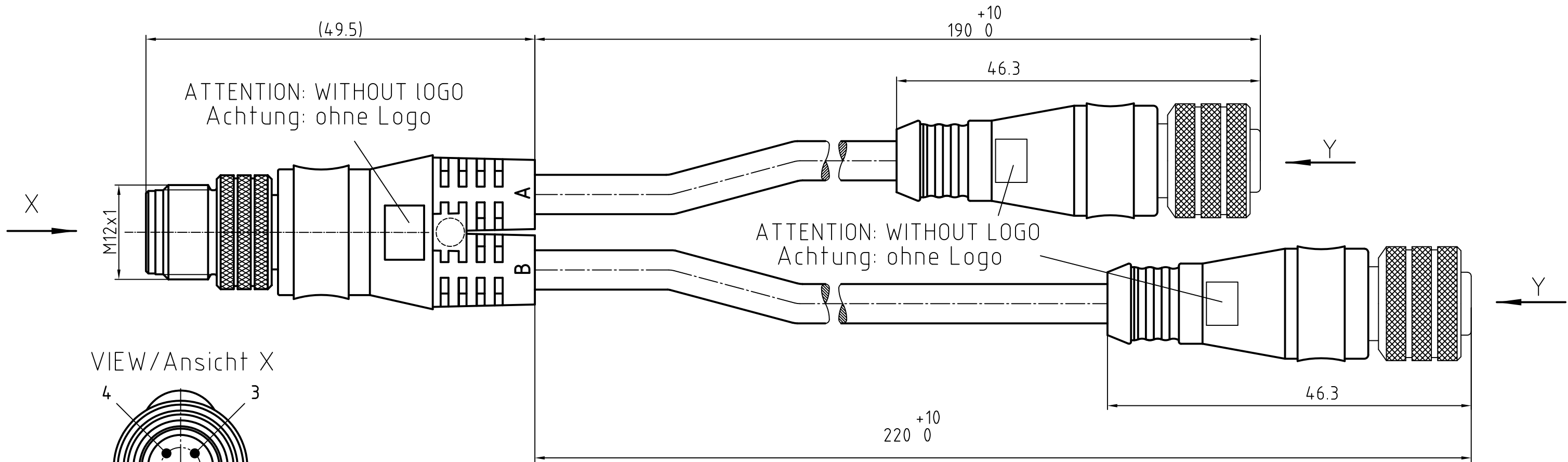


MATING SIDE
Steckseite

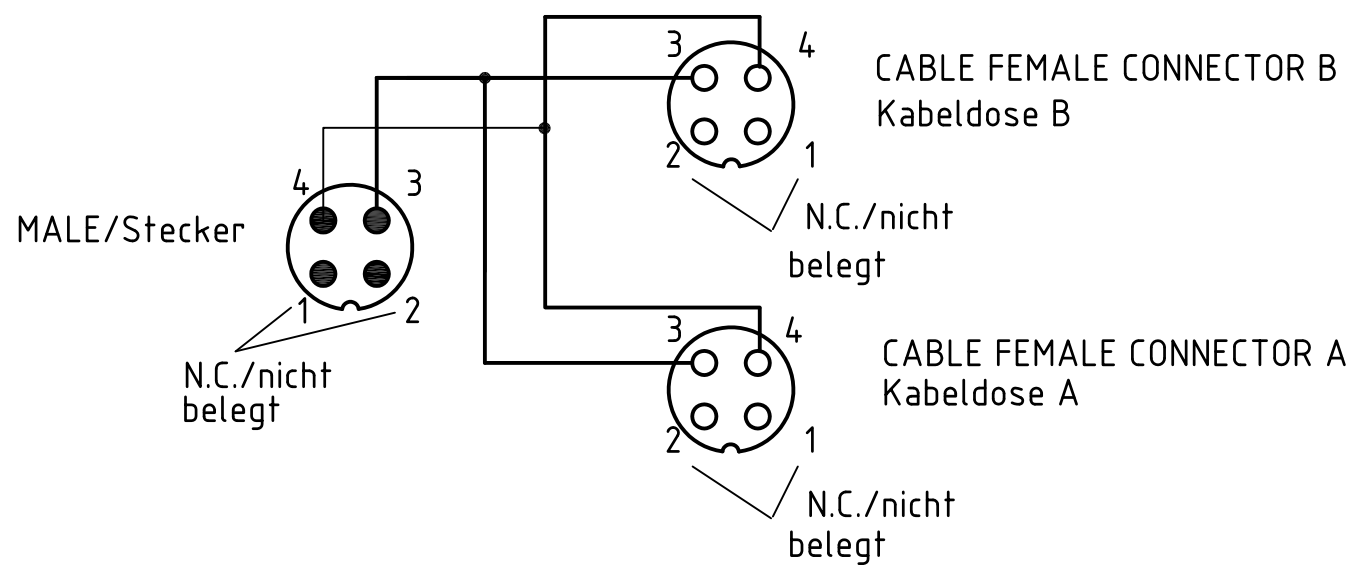
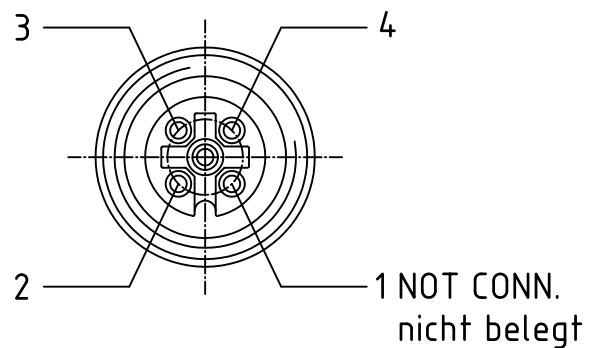


(...) DIM. FOR INFORMATION
(...) Informationsmaß

DESCRIPTION EC NO.: WEU2010-0191 DRWN: BBRAUCH CHKD: BB APPR: REISSNER 25.11.09 2010/03/08	QUALITY SYMBOLS	GENERAL TOLERANCES (UNLESS SPECIFIED)		DIMENSION STYLE	SCALE	DESIGN UNITS	FIRST ANGLE PROJECTION
	<p>▽ = 0</p> <p>∇ = 0</p>	mm	INCH	MM	2:1	METRIC	
REV 2	4 PLACES	±---	±---	DRAWN BY	DATE	M12-ILS-4P-M12-4P-FE -STR-0.22M+0.19M	
	3 PLACES	±---	±---	LS	2008/08/21		
	2 PLACES	±0.05	±---	CHECKED BY	DATE	MOLEX INCORPORATED	
	1 PLACE	±0.10	±---	BB	2008/08/21		
	ANGULAR ± --- °			APPROVED BY	DATE	MOLEX INCORPORATED	
	DRAFT WHERE APPLICABLE MUST REMAIN WITHIN DIMENSIONS			REISSNER	2010/03/08		
				MATERIAL NO.	1200685058	DOCUMENT NO.	SD-0812-04EMF-9620P
				SIZE	A3	SHEET NO.	1 OF 1
				THIS DRAWING CONTAINS INFORMATION THAT IS PROPRIETARY TO MOLEX INCORPORATED AND SHOULD NOT BE USED WITHOUT WRITTEN PERMISSION			



VIEW / Ansicht Y
MATING SIDE
Steckseite



(...) DIM. FOR INFORMATION
(...) Informationsmaß

DESCRIPTION EC NO.: WEU2010-0191 DRWN: BBRAUCH CHKD: BB APPR: REISSNER 25.11.09 2010/03/08	QUALITY SYMBOLS	GENERAL TOLERANCES (UNLESS SPECIFIED)		DIMENSION STYLE	SCALE	DESIGN UNITS	FIRST ANGLE PROJECTION
	<p>▽ = 0</p> <p>∇ = 0</p>	mm	INCH	MM	2:1	METRIC	
REV 2	4 PLACES	±---	±---	DRAWN BY	DATE	M12-ILS-4P-M12-4P-FE -STR-0.22M+0.19M	
	3 PLACES	±---	±---	LS	2008/08/21		
	2 PLACES	±0.05	±---	CHECKED BY	DATE	MOLEX INCORPORATED	
	1 PLACE	±0.10	±---	BB	2008/08/21		
	ANGULAR ± --- °			APPROVED BY	DATE		
	DRAFT WHERE APPLICABLE MUST REMAIN WITHIN DIMENSIONS			REISSNER	2010/03/08		
				MATERIAL NO.	1200685058	DOCUMENT NO.	SD-0812-04EMF-9620P
				SIZE	A3	SHEET NO. 1 OF 1	
				THIS DRAWING CONTAINS INFORMATION THAT IS PROPRIETARY TO MOLEX INCORPORATED AND SHOULD NOT BE USED WITHOUT WRITTEN PERMISSION			