

6

5

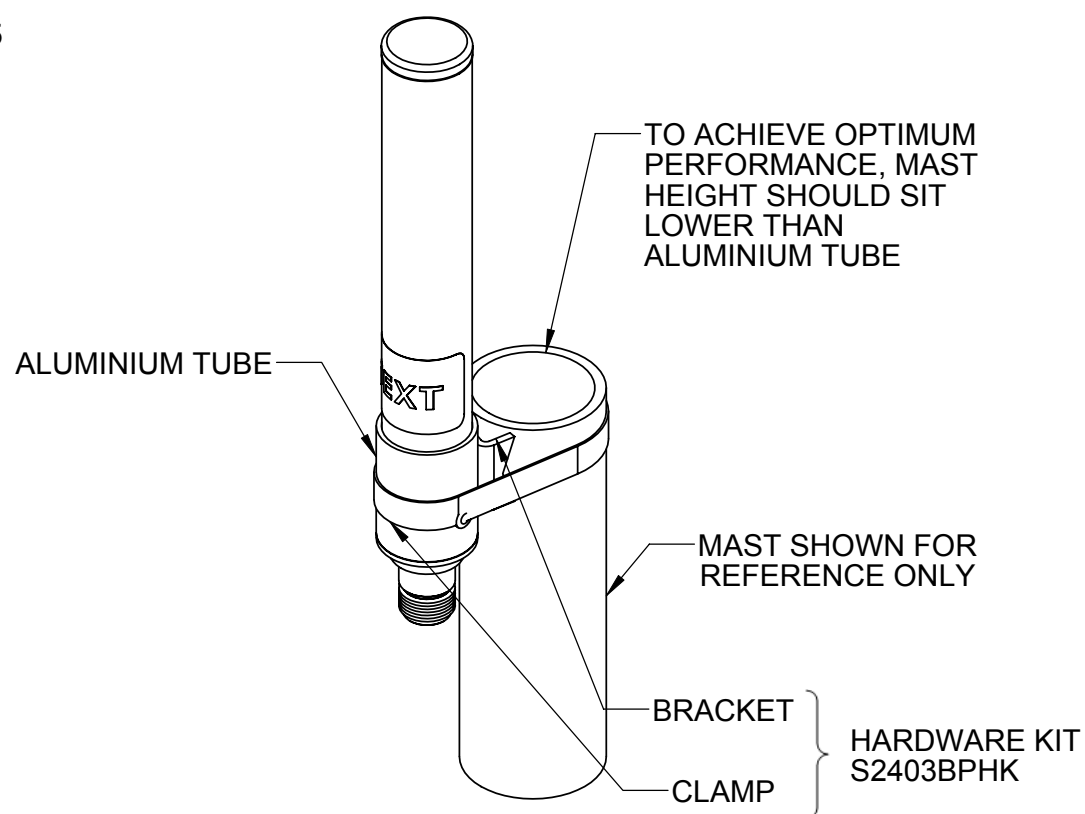
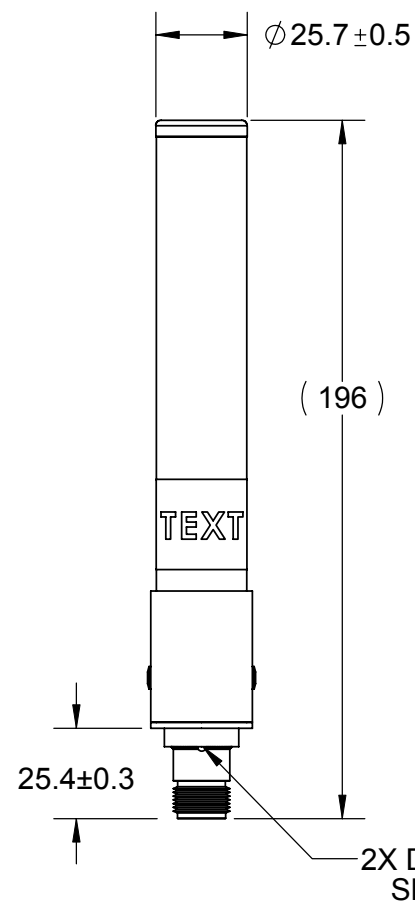
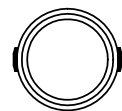
4

3

2

1

REVISIONS					
REV.	ECR#	ZONE	DESCRIPTION	CHANGED BY/DATE	APPROVED BY/DATE
1			INITIAL RELEASE	1/12/11	1/12/11
B1			ADD WIND RATING, IP RATING, OPERATING TEMPERATURE AND STORAGE TEMPERATURE SPEC	29/8/12	29/8/12



APPROVED

Parameter	Performance
Model number	OC80271-FNF
Frequency, (MHz)	806 – 824MHz 824 – 894MHz 880 – 960MHz 1710 – 1880MHz 1850 – 1990MHz 1920 – 2170MHz 2300 – 2400MHz 2400 – 2500MHz 2500 – 2690MHz.
Peak Gain, (dBi)	1.0 dBi (806 – 960MHz) 3.0 dBi (1710 – 2690MHz)
Polarization	Vertical, Omnidirectional Radiation Pattern
VSWR	< 2.5 : 1 (806 – 960MHz) < 2 : 1 (1710 – 2690MHz)
Power	20 Watts
Mounting	Upright position only
RF Connector	N-Type (F)
Radome Color	White
Antenna Weight	120g
Wind Rating	Operational 120 mph/ Survival 136 mph
IP Rating	IP55
Operation Temperature	-30°c to 70°c
Storage Temperature	-40°c to 85°c

MATERIAL:		THIRD ANGLE PROJECTION												
FINISH:		DO NOT SCALE DRAWING												
<table border="1"> <thead> <tr> <th>APPROVALS</th> <th>DATE</th> </tr> </thead> <tbody> <tr> <td>DRAWN BY TL KHOO</td> <td>1/12/11</td> </tr> <tr> <td>PROJ. ENG. LL TEOH</td> <td>1/12/11</td> </tr> <tr> <td>APPL. MECH. GJ CHIN</td> <td>1/12/11</td> </tr> <tr> <td>MFG. CH FONG</td> <td>1/12/11</td> </tr> </tbody> </table>		APPROVALS	DATE	DRAWN BY TL KHOO	1/12/11	PROJ. ENG. LL TEOH	1/12/11	APPL. MECH. GJ CHIN	1/12/11	MFG. CH FONG	1/12/11	INTERPRET DIMENSIONING AND TOLERANCING IN ACCORDANCE WITH ASME Y14.5M-2009 TOLERANCES UNLESS OTHERWISE SPECIFIED DIMENSIONS ARE IN MILLIMETERS ANGLE: ±30' 0 PLACE DECIMAL: ±0.5 1 PLACE DECIMAL: ±0.25 2 PLACE DECIMAL: ±0.13 SURFACE ROUGHNESS 1.6/√	TITLE: <h1 style="text-align: center;">OC80271-FNF</h1>	
APPROVALS	DATE													
DRAWN BY TL KHOO	1/12/11													
PROJ. ENG. LL TEOH	1/12/11													
APPL. MECH. GJ CHIN	1/12/11													
MFG. CH FONG	1/12/11													
THIS DRAWING IS UNPUBLISHED. RELEASED FOR PUBLICATION -,- © Copyright 2022 TE Connectivity Ltd. ALL RIGHTS RESERVED.		SIZE A3 SCALE: 1:2	DWG. NO. <h2 style="text-align: center;">OC80271-FNFMO</h2>	REV B1 SHEET 1 OF 1										

6

5

4

3

2

1

D

D

C

C

B

B

A

A