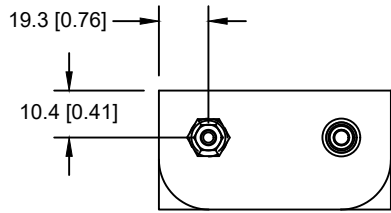
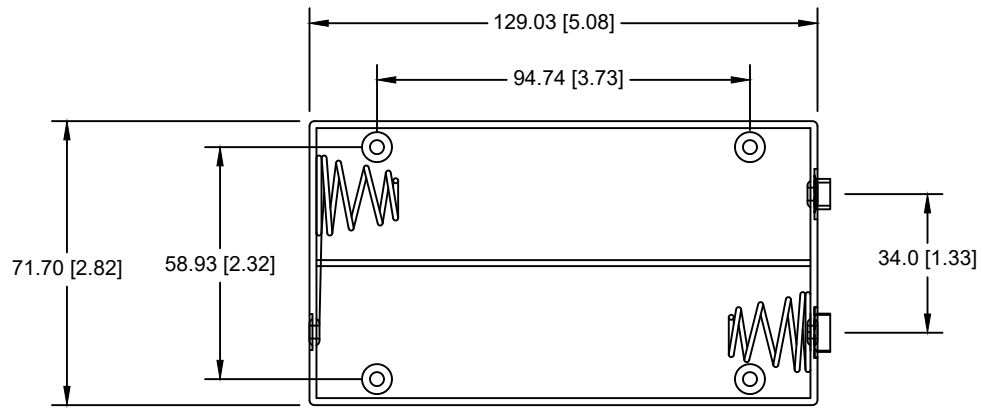


Date	SYM	REVISION RECORD	AUTH	DR.	CK.
3/07/19	C	UPDATED TO "ROHS COMPLIANT"	T.B.	B.S.	




NOTES:

SPECIFICATION:

1. MATERIAL:

HOUSING : BLACK POLYPROPYLENE
 FLAMMABILITY RATING -UL94-HB, UL FILE NO. E216959
 TEMPERATURE RANGE: -10°C to +100°C
 RIVETS: BRASS, NICKEL PLTD.
 SPRING: SPRING STEEL, NICKEL PLTD.
 CONTACT RESISTANCE: UNDER 50mΩ FOR +/- CONTACTS PER
 EIA-540J000
 ROHS COMPLIANT

Tolerance (Except as noted)	 Memory Protection Devices, Inc 200 Broad Hollow Road, Farmingdale, New York 11735		
	decimal ±.5 (.020)	Scale	Drawn By B.S. Approved By T.B.
Fractional ± .8 (.030)	Title 4 "D" CELL HOLDER WITH SNAP FASTENERS		
Angular ± 3°	Date 03/07/19	Drawing Number BC24DSF	