

# CARD-O-PULLS™

## Printed Circuit Board Inserters/Extractors

- Select from 14 standard stock styles for 1/16", 3/32" and 1/8" PCBs.
- Strong and rigid with optimum leverages to assist in both insertion and extraction
- Directly interchangeable with competitive styles; widest selection of standards
- Large areas for hot stamping
- Special colors available

### 1209 Series

Inserter/Extractor

#### Material Specifications:

1209 series: 6/6 Nylon per ASTM D4066  
PA111, UL Rated 94V-2

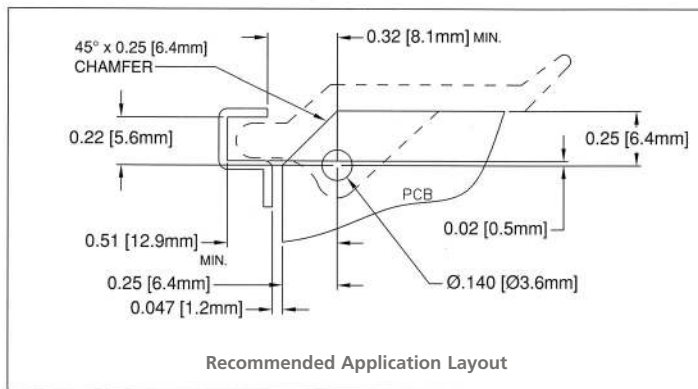
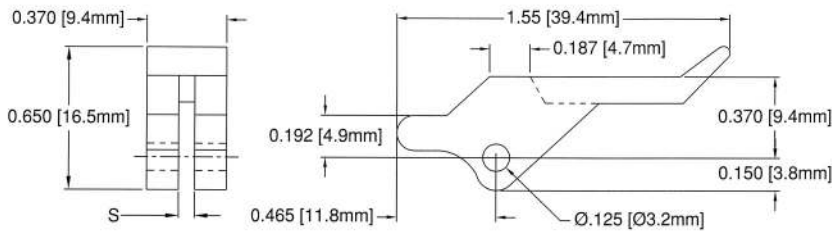
#### Oxygen Rating Index:

Over 28%

**Color:** Natural (Off White) or Black

Part No.	S	PCB	DESC
1209-062	.075 (1.9)	.062 (1.6)	83023-19W
1209-093	.100 (2.5)	.093 (2.4)	83023-20W
1209-125	.140 (3.6)	.125 (3.2)	83023-21W

Furnished with Spring Pins RP-375



#### Standard Drawing Tolerances:

(unless otherwise indicated)

- Fractions: ± 1/64 (0.4)  
 .X = ± 0.10 (2.5)  
 .XX = ± 0.01 (0.25)  
 .XXX = ± 0.005 (0.13)

Note: Passivated Stainless Steel Spring Pins per MIL-P-10971 furnished with each Ejector or Inserter/Extractor.



### Spring Pin

Part No.	L	D
RP-250	1/4 (6.4)	3/32 (2.4)
RP-312	5/16 (8.0)	3/32 (2.4)
RP-375	3/8 (9.5)	1/8 (3.2)

