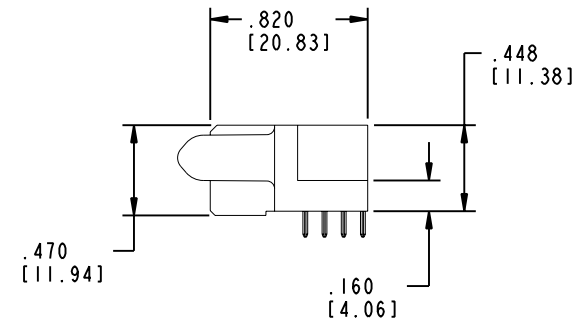
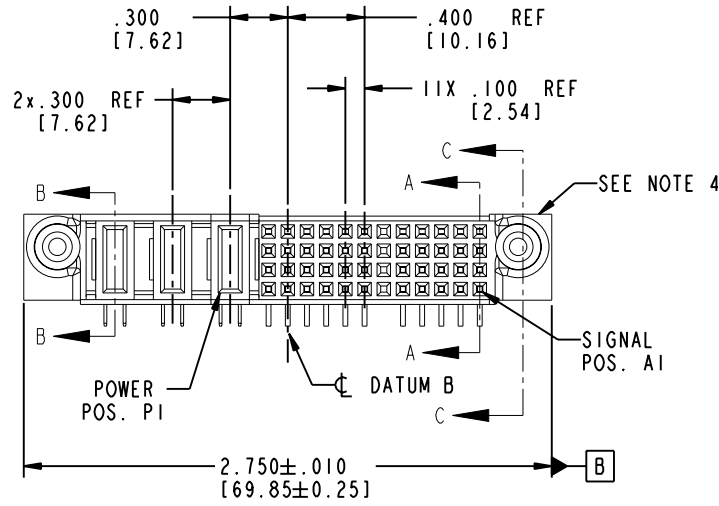
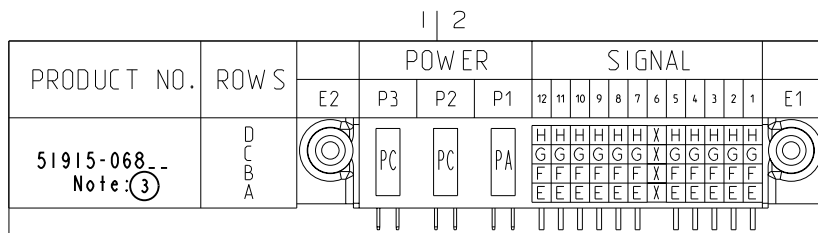


Tous droits strictement réservés. Reproduction ou communication a des tiers interdite sous quelque forme que ce soit sans autorisation écrite du propriétaire. Propriété de c FCI. Droits de reproduction FCI.

FCI

All rights strictly reserved. Reproduction or issue to third parties in any form whatever is not permitted without written authority from the proprietor. Property of FCI. Copyright FCI.



| CODE | DIM "M" MATING LENGTH | CONTACT TYPE |
|------|-----------------------|--------------|
| PC | .092 [2.34] | POWER |
| H | N/A [N/A] | SIGNAL |
| G | N/A [N/A] | SIGNAL |
| F | N/A [N/A] | SIGNAL |
| E | N/A [N/A] | SIGNAL |
| PA | .042 [1.07] | POWER |
| X | OMITTED | OMITTED |

| | | | | | | | | | |
|--------------------------|----------------|-----|----------|---------------------------------------|-----------------------|----------|----------------------------|----------------------------------|--|
| mat'l code SEE NOTE 2 | | | | tolerances unless otherwise specified | | CUSTOMER | | FCI www.fciconnect.com | |
| ltr | ecn no. | dr | date | linear | .XX±.01/0.XX±0.3 | | COPY | | title 48S+3P R/A SOLDER RECEPTACLE |
| A | DG05-0075 | JM | 04/21/05 | | .XXX±.005/0.XX±0.13 | | projection | | |
| B | DG05-0105 | JM | 05/10/05 | | .XXX±.0020/0.XX±0.051 | | INCH/MM | | |
| | | | | angles | 0°±2° | | product family PwrBlade | | code 213 |
| | | | | dr | JM Guo | 04/21/05 | size | | sheet |
| | | | | engr | SLUO | 04/21/05 | dwg no | | 1 of 4 |
| | | | | chr | Victor Lin | 04/21/05 | A | | 51915-068 |
| | | | | appd | Joseph Hsiao | 04/21/05 | scale | | 1:1 |
| sheet index | revision sheet | B 1 | B 2 | B 3 | B 4 | | | | |

Pro/E

cage code **22526**

PDM: Rev:B

STATUS: Released

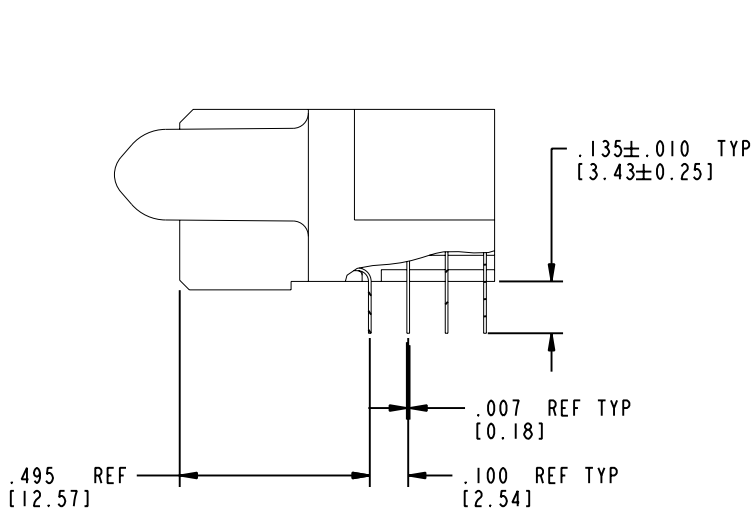
Printed: Dec 20, 2010

Tous droits strictement réservés. Reproduction ou communication a des tiers interdite sous quelque forme que ce soit sans autorisation écrite du propriétaire. Propriété de c FCI. Droits de reproduction FCI.

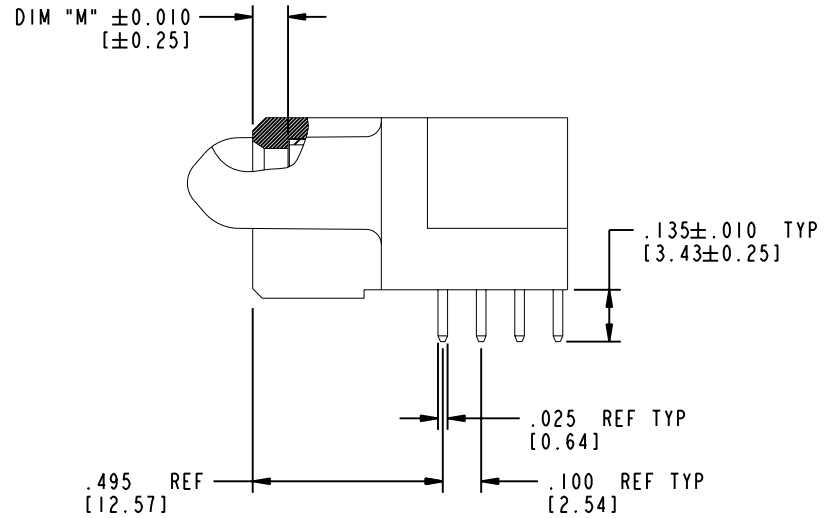
All rights strictly reserved. Reproduction or issue to third parties in any form whatever is not permitted without written authority from the proprietor. Property of FCI. Copyright FCI.

PRODUCT NUMBER

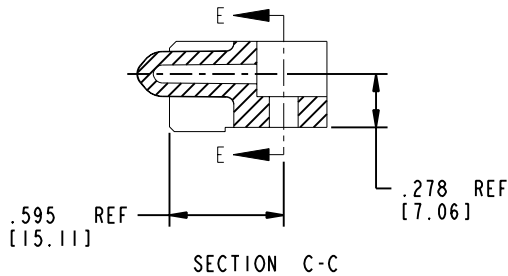
51915-068..
Note: ③



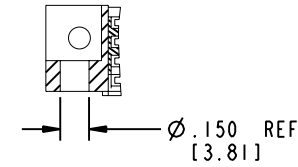
BROKEN-OUT SECTION A-A
 SCALE 2:1



BROKEN-OUT SECTION B-B
 SCALE 2:1



SECTION C-C



PARTIAL SECTION E-E

| | | | | | | | | | |
|-------------|----------------|------------|------|---------------------------------------|-----------------------|----------|--|------------------------|-----------|
| mat'l code | | SEE NOTE 2 | | tolerances unless otherwise specified | | CUSTOMER | | www.fciconnect.com | |
| ltr | ecn no. | dr | date | linear | .XX±.01/0.X±0.3 | COPY | | title | 48S+3P |
| B | | | | projection | .XXX±.005/0.XX±0.13 | | | R/A SOLDER RECEPTACLE | |
| | | | | angles | .XXX±.0020/0.XX±0.051 | INCH/MM | | product family | PwrBlade |
| | | | | dr | JM Guo 04/21/05 | scale | | code | 213 |
| | | | | engr | SLUO 04/21/05 | 1:1 | | size | dwg no |
| | | | | chr | Victor Lin 04/21/05 | | | A | 51915-068 |
| | | | | appd | Joseph Hsia 04/21/05 | | | sheet | 2 of 4 |
| sheet index | revision sheet | | | | | | | | |

Pro/E

cage code **22526**

PDM: Rev:B

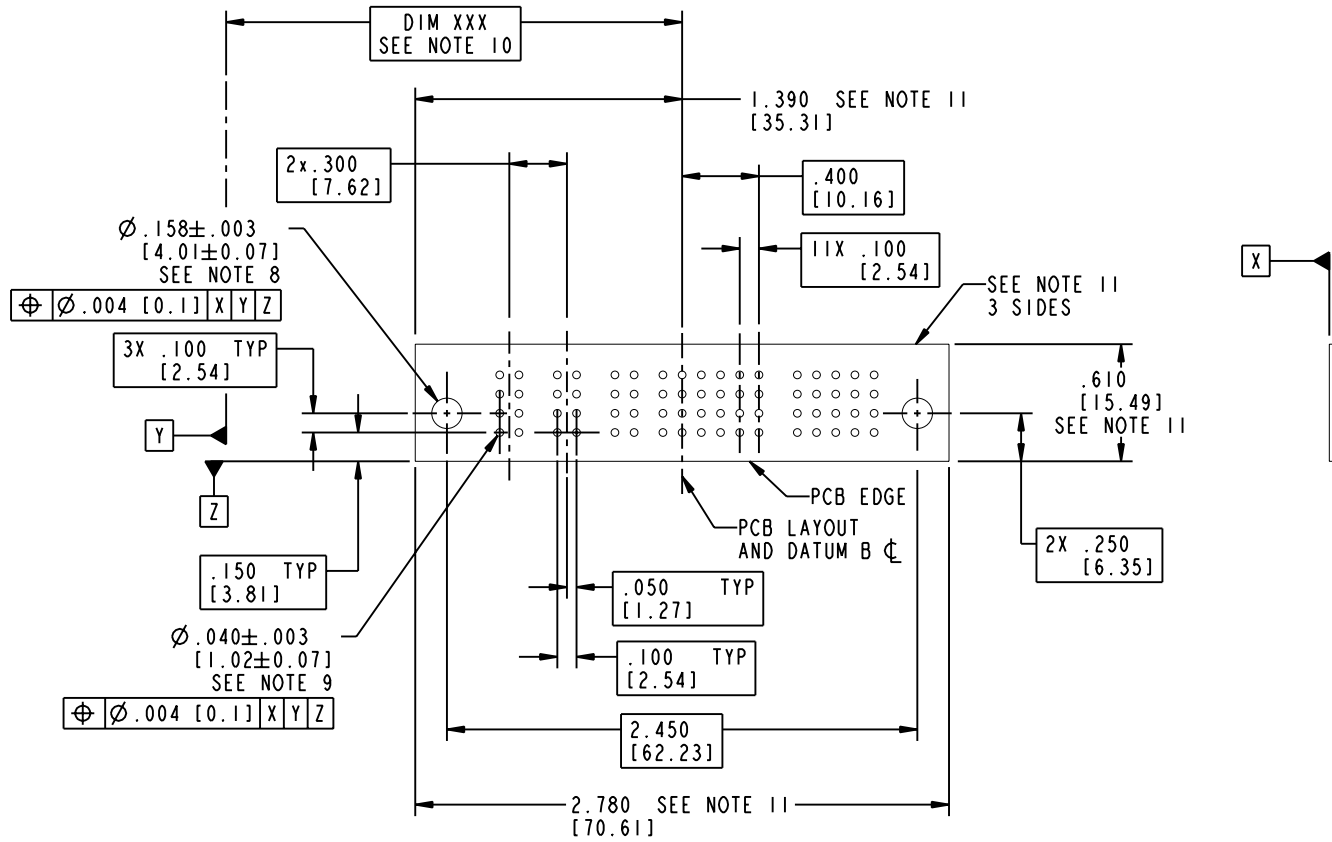
STATUS: **Released**

Printed: Dec 20, 2010

Tous droits strictement réservés. Reproduction ou communication a des tiers interdite sous quelque forme que ce soit sans autorisation écrite du propriétaire. Propriété de c FCI. Droits de reproduction FCI.

All rights strictly reserved. Reproduction or issue to third parties in any form whatever is not permitted without written authority from the proprietor. Property of FCI. Copyright FCI.

PRODUCT NUMBER
51915-068..
 Note: ③



| | | | | | | | | | |
|-------------|---------|----------------|------|---------------------------------------|-------------------------|----------|--|---|--|
| mat'l code | | SEE NOTE 2 | | tolerances unless otherwise specified | | CUSTOMER | | www.fciconnect.com | |
| ltr | ecn no. | dr | date | linear | .XX±.01/0.X±0.3 | COPY | | title | |
| B | | | | projection | .XXX±.005/0.XX±0.13 | | | 48S+3P R/A SOLDER RECEPTACLE | |
| | | | | angles | .XXXX±.0020/0.XXX±0.051 | INCH/MM | | product family | |
| | | | | dr | JM Guo 04/21/05 | scale | | PwrBlade | |
| | | | | enr | SLUO 04/21/05 | 1:1 | | code | |
| | | | | chr | Victor Lin 04/21/05 | | | 213 | |
| | | | | appd | Joseph Hsia 04/21/05 | | | size | |
| sheet index | | revision sheet | | | | | | dwg no | |
| | | | | | | | | A 51915-068 | |
| | | | | | | | | sheet 3 of 4 | |

cage code **22526**

Pro/E

PDM: Rev:B

STATUS: Released

Printed: Dec 20, 2010

Tous droits strictement réservés. Reproduction ou communication a des tiers interdite sans queque forme que ce soit sans autorisation écrite du propriétaire. Propriete de c FCI. Droits de reproduction FCI.

A FCI

All rights strictly reserved. Reproduction or issue to third parties in any form, whenever is not permitted without written authority from the proprietor. Property of FCI. Copyright FCI.

B

PRODUCT NUMBER

51915-068..
Note: ③

NOTES:

1. DIMENSIONS AND TOLERANCES ARE IN ACCORDANCE WITH ASME Y14.5M, 1994 UNLESS OTHERWISE SPECIFIED.

CONNECTOR NOTES:

② HOUSING MATERIAL: UL 94 V-0 GLASS FILLED

HIGH-TEMP THERMOPLASTIC
 POWER CONTACT MATERIAL: COPPER ALLOY
 SIGNAL PIN MATERIAL: COPPER ALLOY

3. PLATING:

51915-068 Singal Pin:30u"/0.76um Au OVER 50u"/1.27um Ni ON THE CONTACT AREA,
 AND 100u"/2.54um SnPb PLATING OVER 50u"/1.27um Ni ON THE TERMINATION SECTION.
 Power Pin:30u"/0.76um Au OVER 50u"/1.27um Ni ON THE CONTACT AREA,
 AND 100u"/2.54um SnPb PLATING OVER 50u"/1.27um Ni ON THE TERMINATION SECTION.

51915-068LF Singal Pin:30u"/0.76um Au OVER 50u"/1.27um Ni ON THE CONTACT AREA,
 AND 78u"/2.00um Sn PLATING OVER 50u"/1.27um Ni ON THE TERMINATION SECTION.
 Power Pin:30u"/0.76um Au OVER 50u"/1.27um Ni ON THE CONTACT AREA,
 AND 78u"/2.00um Sn PLATING OVER 50u"/1.27um Ni ON THE TERMINATION SECTION.

PART NUMBER 51915-068LF MEETS EUROPEAN UNION DIRECTIVE AND OTHER COUNTRY REGULATIONS AS DESCRIBED IN GS-22-008.

THE HOUSING WILL WITHSTAND EXPOSURE TO 260° PEAK TEMPERATURE FOR 10 SECONDS IN A WAVE SOLDER APPLICATION WITH A CIRCUIT BOARD.

④ MANUFACTURER'S NAME, P/N, AND DATE CODE TO APPEAR ON THIS SURFACE.

5. PRODUCT SPECIFICATION GS-12-149.
 APPLICATION SPECIFICATION BUS-20-067.

6. PACKAGED IN TRAYS.

PCB NOTES:


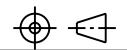

7. ALL HOLE DIAMETERS ARE FINISHED HOLE SIZE.

⑧ MOUNTING HOLES, WHERE APPLICABLE, ARE UNPLATED.

⑨ $\varnothing .0453 \pm .0010$ [1.151 \pm 0.025] DRILLED HOLES PLATED WITH .0003 [0.008] MIN SnPb OVER .001 [0.03] TO .003 [0.08] Cu PLATING TO ACHIEVE $\varnothing .040 \pm .003$ [1.02 \pm .07] HOLE.

⑩ "DIM XXX" TO BE DETERMINED BY THE CUSTOMER.

⑪ CONNECTOR KEEP-OUT ZONE.

| | | | | | | | | | |
|-------------|---------|----------------|------|---------------------------------------|-------------------------|---|--|---|--|
| mat'l code | | SEE NOTE 2 | | tolerances unless otherwise specified | | CUSTOMER | |  www.fciconnect.com | |
| ltr | ecn no. | dr | date | linear | .XX±.01/0.XX±0.3 | COPY | | title | |
| B | | | | projection | .XXX±.005/0.XX±0.13 |  | | 48S+3P R/A SOLDER RECEPTACLE | |
| | | | | angles | .XXXX±.0020/0.XXX±0.051 |  | | product family | |
| | | | | dr | JM Guo 04/21/05 | INCH/MM | | PwrBlade | |
| | | | | enr | SLUO 04/21/05 | scale | | code | |
| | | | | chr | Victor Lin 04/21/05 | 1:1 | | 213 | |
| | | | | appd | Joseph Hsia 04/21/05 | | | sheet | |
| sheet index | | revision sheet | | | | | | 4 of 4 | |
| | | | | | | | | A | |

cage code **22526**

Pro/E

PDM: Rev:B

STATUS: Released

Printed: Dec 20, 2010