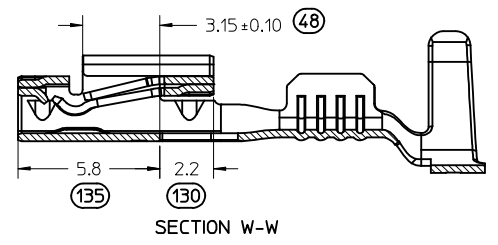
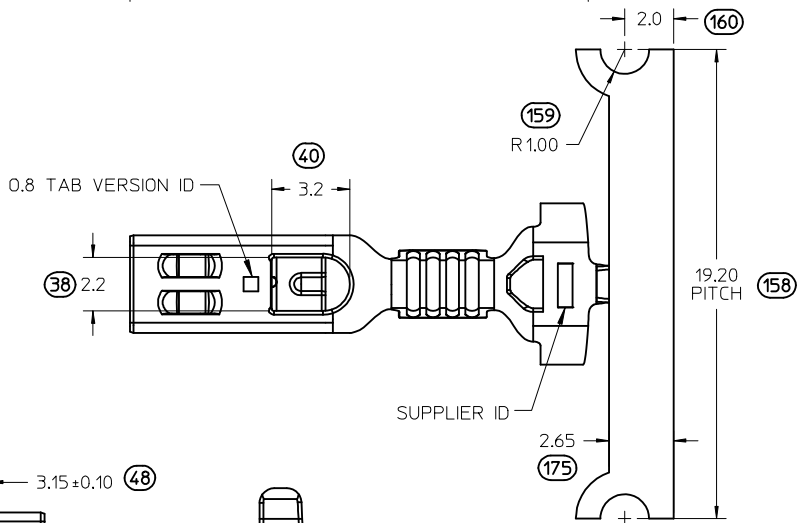
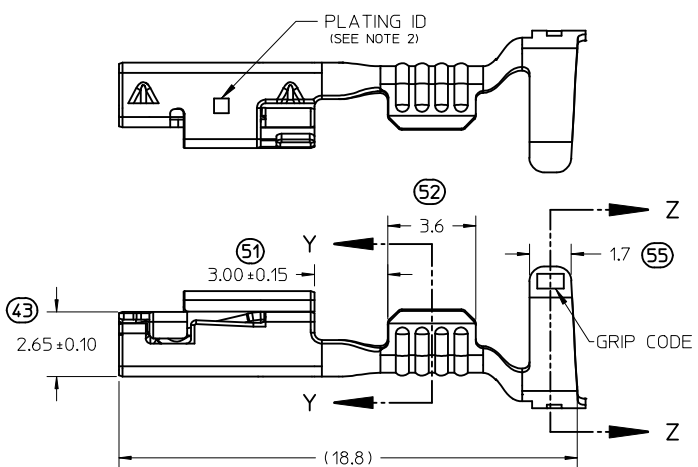
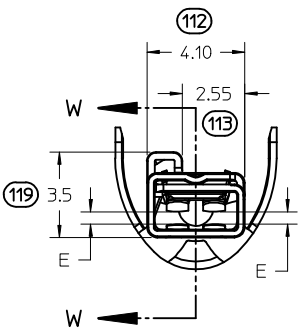
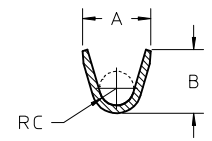


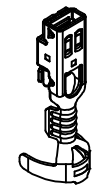
10 9 8 7 6 5 4 3 2 1



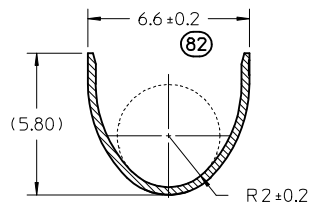
| TERMINAL PART NUMBERS | | GRIP CODE | WIRE GAUGE ISO/JASO mm ² | PLATING | DIM A ±0.2 | DIM B ±0.2 | DIM RC ±0.2 | DIM E (0.44) | APPLICABLE CABLE SEAL PART NUMBERS |
|-------------------------|--------------------------|-----------|---|-------------|---------------|---------------|----------------|-----------------|--|
| D-WIND (LEFT PAYOFF) | B-WIND (RIGHT PAYOFF) | | | | | | | | |
| 34808-1001 | 34808-1005 | VS | 0.5 - 1.0 | TIN (Sn) | 2.8 | (2.6) | 0.7 | | 64325-1332 |
| 34808-1002 | 34808-1006 | S | 1.5 - 2.0 | | 4.1 | (3.5) | 0.9 | | 64325-1345 |
| 34808-1003 | 34808-1007 | M | 2.5 - 3.0 | | 4.1 | (4.4) | 1.0 | | 64325-1358 |
| 34808-1004 | 34808-1008 | L | 4.0 - 5.0 | | 5.0 | (5.2) | 1.3 | | 64325-1366 |



CONDUCTOR GRIP SECTION Y-Y



ISO VIEW SCALE 5:1



INSULATOR GRIP SECTION Z-Z

NOTES: (UNLESS OTHERWISE SPECIFIED)

1. MATERIAL: COPPER ALLOY
2. PLATING MARK: TIN(Sn)- NO MARK
3. CRIMPING PER AS-98675-002
4. PACKAGING PER SD-31301-053
5. PROBING AT ANY LOCATION ON THE TERMINAL BEAM IS NOT PERMITTED
6. APPLICABLE CABLE SEAL PART INFORMATION SHOWN ON SD-64325-006

| | | | | | | | | | |
|---|---|--|----------------------|--------------------------------|---------------------|---------------------|-------------------------------|------------------------|--|
| ENTER DESCRIPTION EC NO: UAU2013-0702 DRWN: AKARANA 2012/10/25 CHKD: DHEMNANI 2012/10/30 APPR: BMOSER 2012/11/26 | QUALITY SYMBOLS ▽/0 ▽/0 ▽/0 | GENERAL TOLERANCES (UNLESS SPECIFIED) | | DIMENSION STYLE MM ONLY | | SCALE 5:1 | DESIGN UNITS METRIC | THIRD ANGLE PROJECTION | |
| | | 4 PLACES ± --- ± --- | 3 PLACES ± --- ± --- | 2 PLACES ± 0.05 ± --- | 1 PLACE ± 0.1 ± --- | 0 PLACE ± ± | DRAWN BY AKARANA | DATE 2012/10/25 | TITLE CTX280 SEALED VR RCPT TERM |
| | | ANGULAR ± 1 ° | | | | | CHECKED BY DHEMNANI | DATE 2012/10/30 | |
| | | DRAFT WHERE APPLICABLE MUST REMAIN WITHIN DIMENSIONS | | | | | APPROVED BY BMOSER | DATE 2012/11/26 | MATERIAL NO. SEE TABLE 1 |

9 8 7 6 5 4 3 2 1