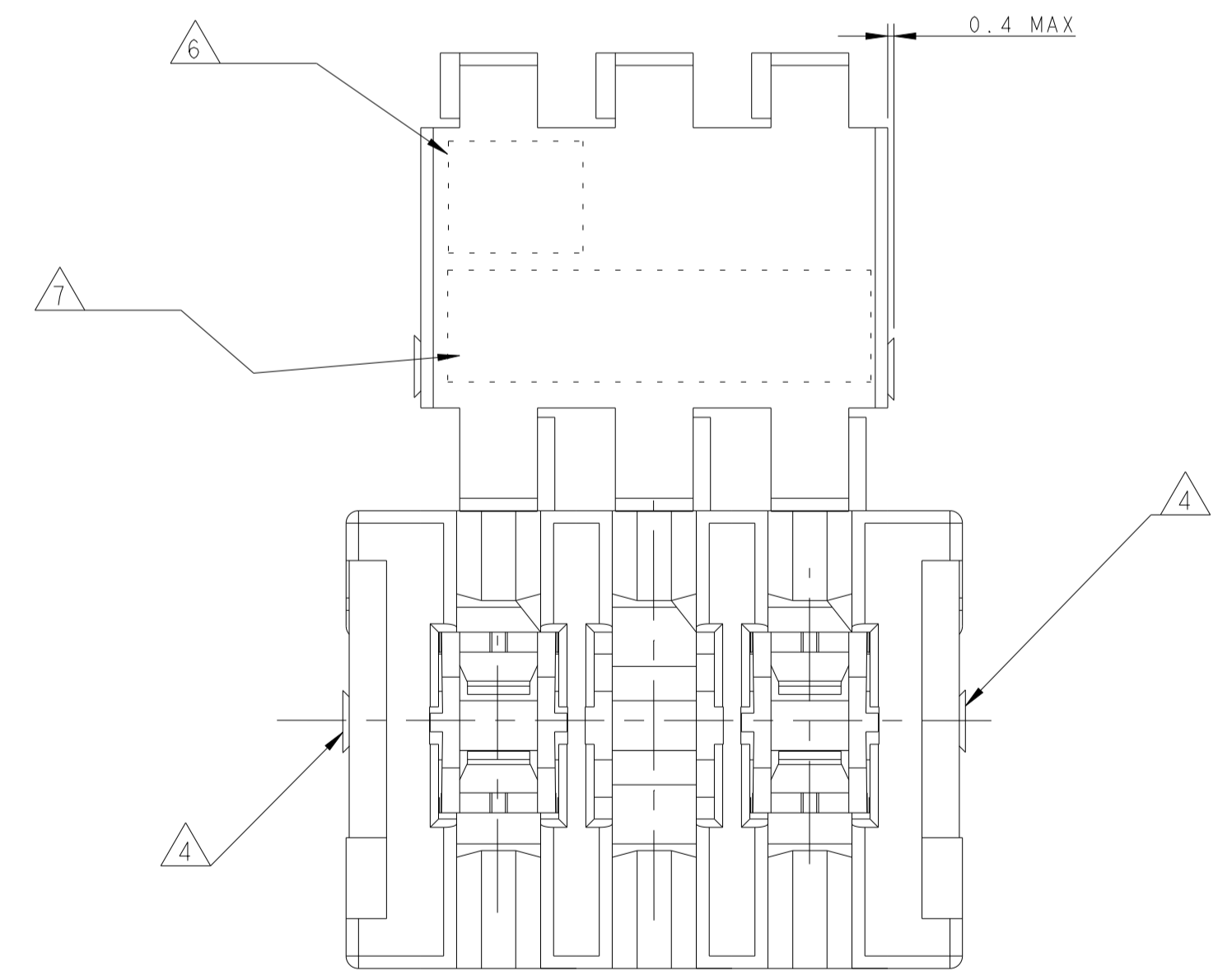
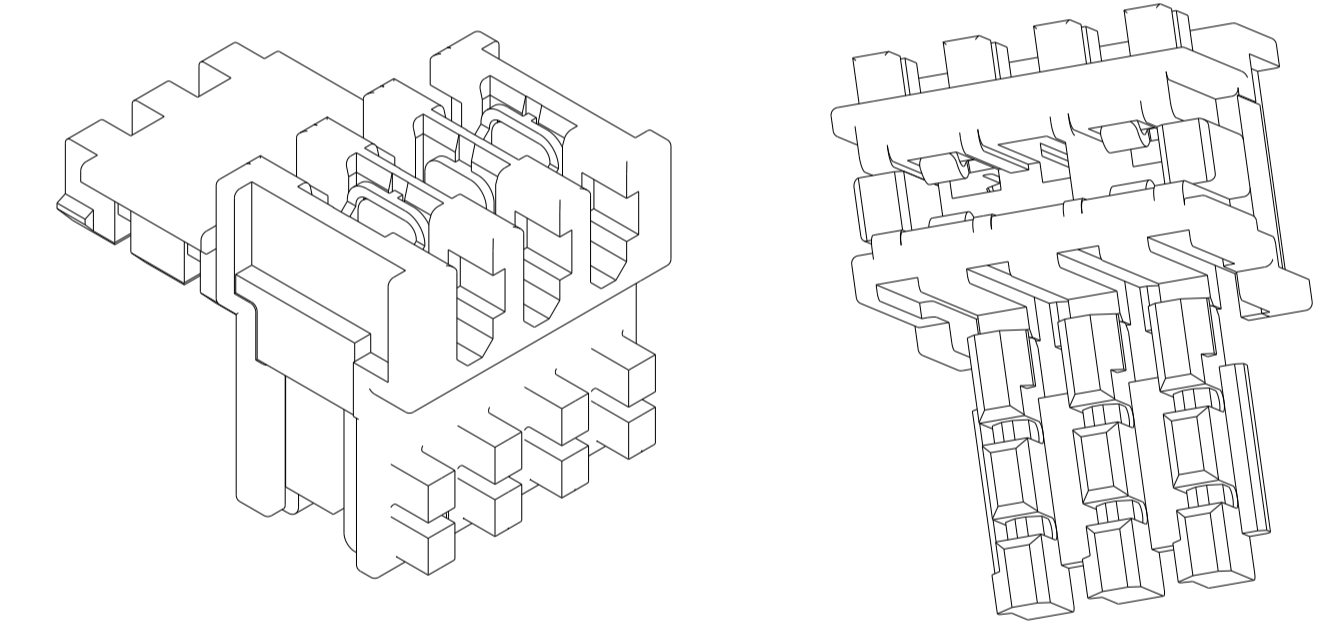
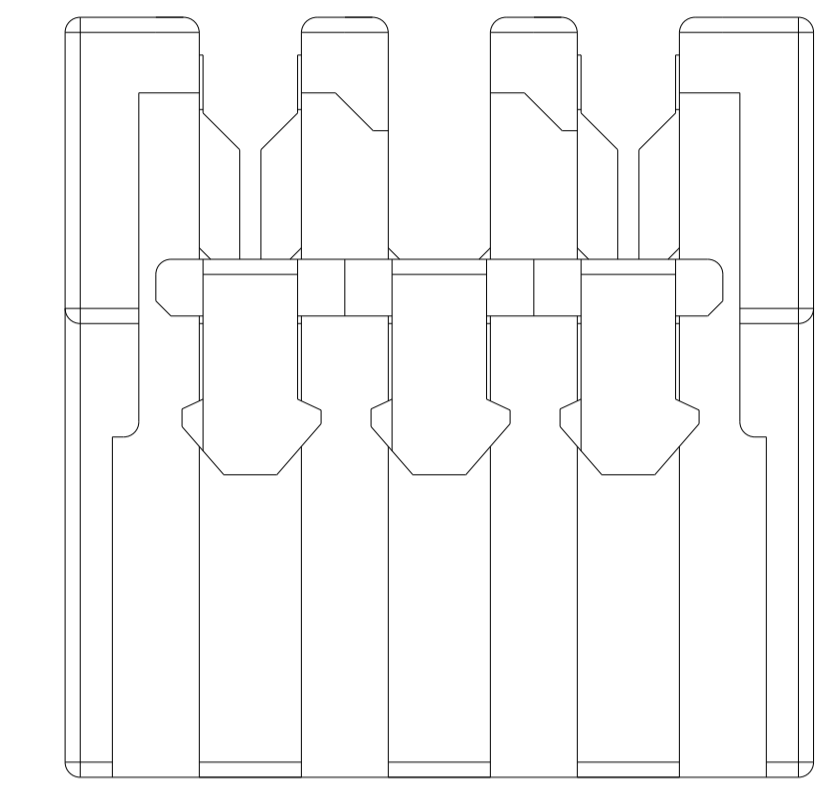
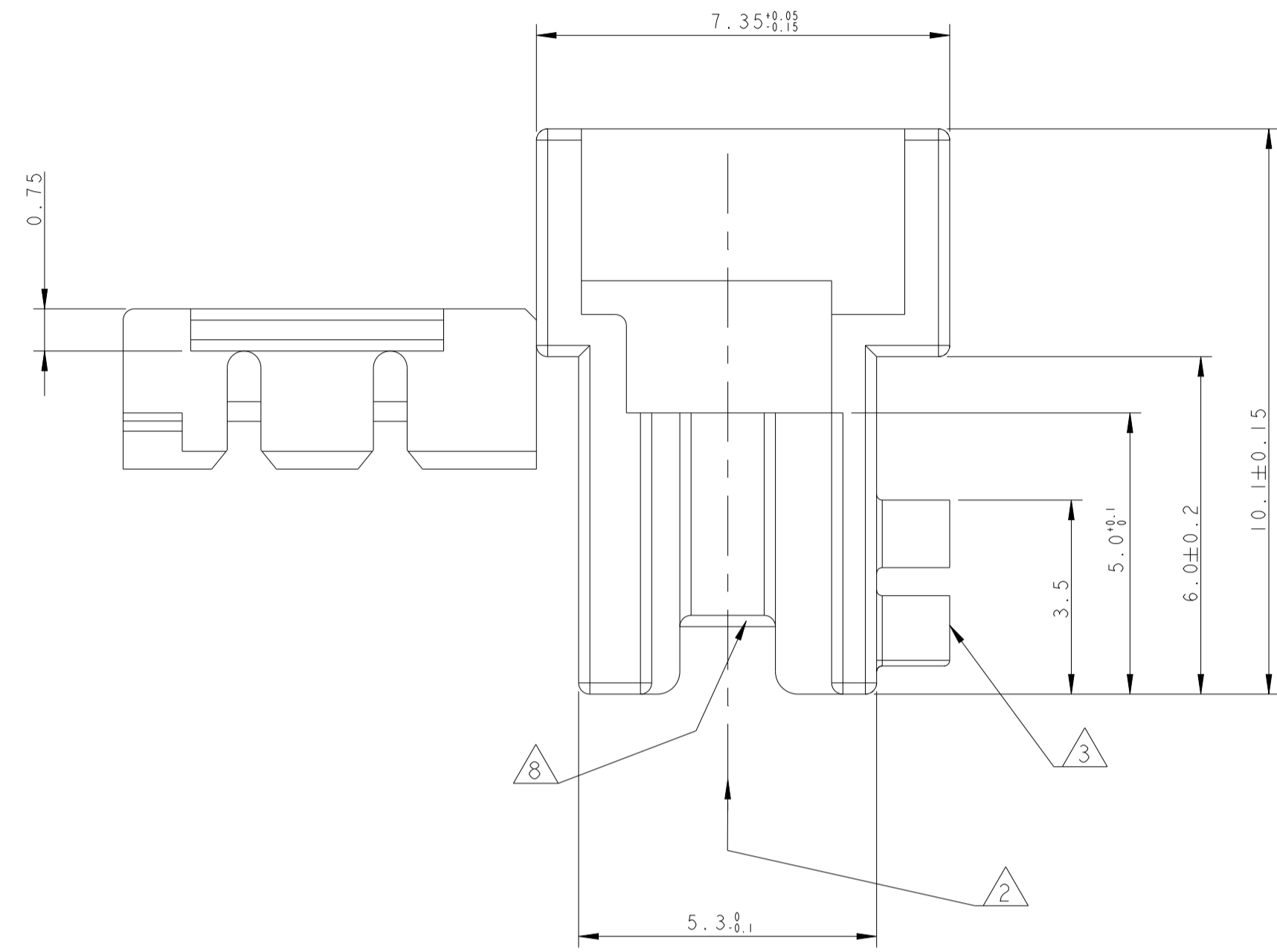
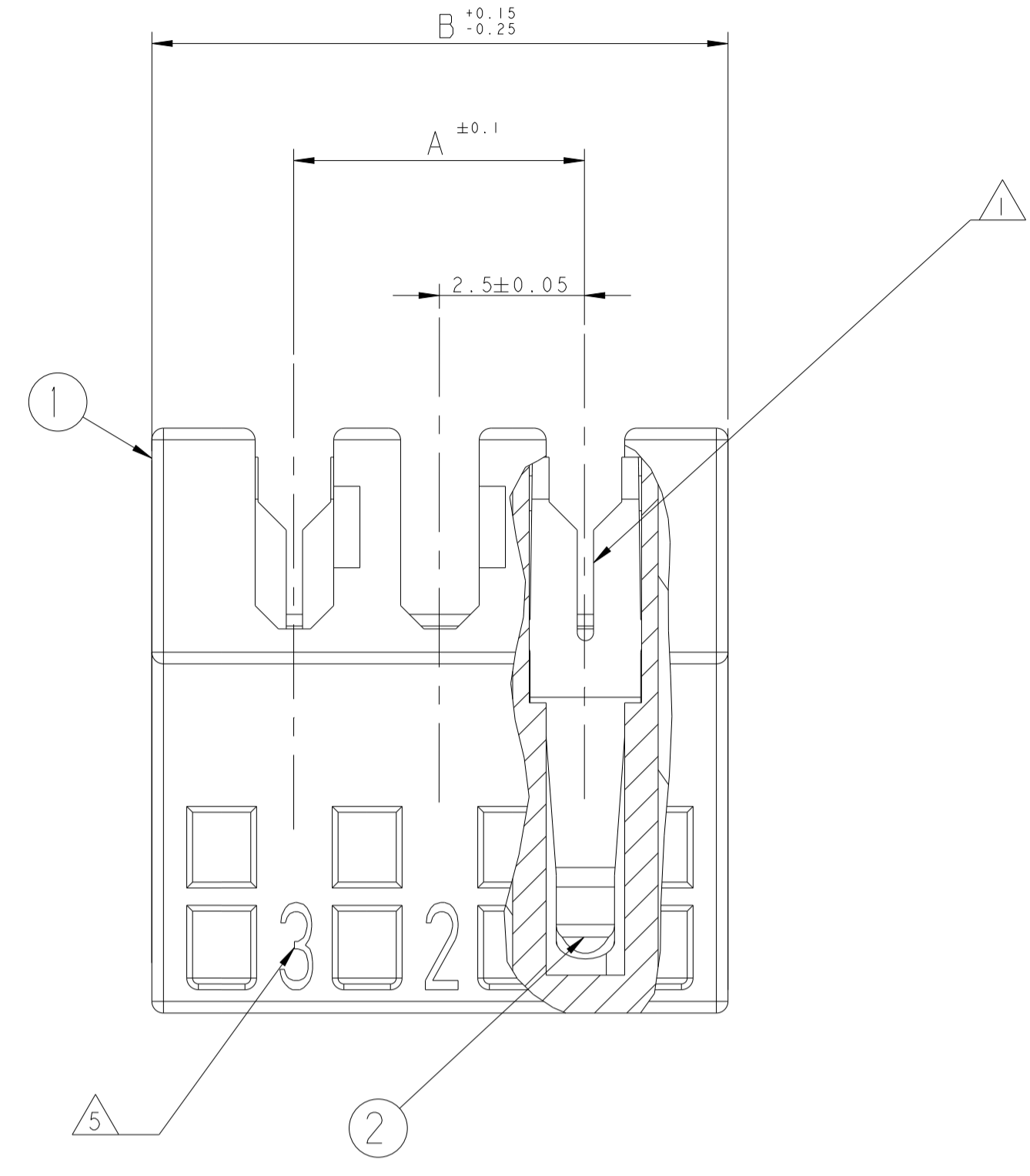
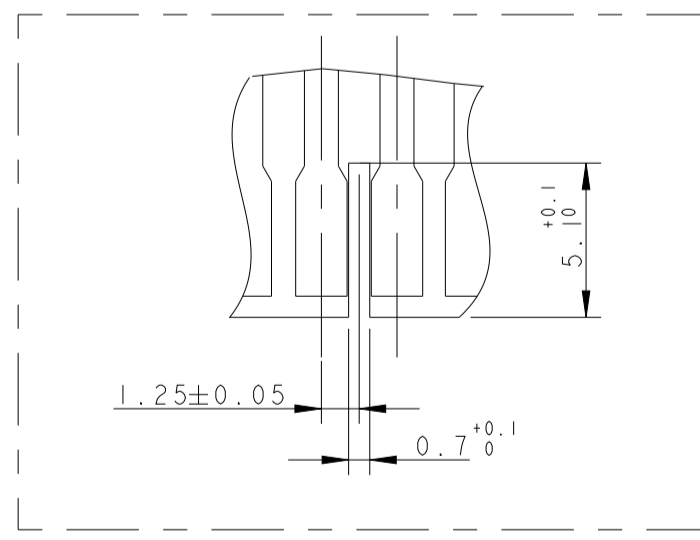


| LOC |     | DIST                      |           | REVISIONS |      |  |  |
|-----|-----|---------------------------|-----------|-----------|------|--|--|
| P   | LTN | DESCRIPTION               | DATE      | DWN       | APVD |  |  |
| C9  |     | REVISED PER ECR-18-018195 | 21FEB2019 | MG        | DC   |  |  |
| D   |     | REVISED PER ECR-19-015552 | 03DEC2019 | KD        | FL   |  |  |
| D1  |     | ECR-22-135817             | 15APR2022 | DC        | FL   |  |  |
| D2  |     | ECR-22-162225             | 30JAN2023 | DC        | FL   |  |  |



- 1 WIRE RANGE : STRANDED 0.22-0.35 mm<sup>2</sup> (INS. DIA. 1.30±0.1)
- 2 MATING PART: TAB HEADER P/Ns 1971817, 1971921, 1971922 AND EQUIVALENT;  
PCB FRAME P/N 964575 (PCB THK 1.5±0.14 COPPER CLADDING INCLUDED)  
SEE PRODUCT SPEC. 108-18056 FOR FRAME APPLICATION
- 3 KEYING RIBS TO BE REMOVED BY TERMINATION MACHINE
- 4 CUT OFF DIMENSION DUE TO PRODUCTION PROCESS
- 5 CIRCUIT No. IDENTIFICATION
- 6 TE TRADEMARK (OPTIONAL POSITION)
- 7 TAMPOGRAPHIC COLOUR CODE AREA (P/Ns IDENTIFICATION BEFORE CRIMPING)
- 8 POLARIZATION RIB BETWEEN CAVITIES,  
(SEE BELOW TYPICAL POLARIZATION CUTOFF ON PCB)



- ⚠ PRELIMINARY PART NOT YET RELEASED FOR PRODUCTION
- ⚠ PART RELEASED WITHOUT EXTENSIVE TERMINATION TESTS

P/N 0-293207-3 AS SHOWN  
 SCALE 5:1 / 10:1

| COLOUR CODE | CONTACT LOADING            | POLARIZ. RIB POS. | HSG POS. | DIM. A | DIM. B | TE P/N     | TE P/N      |
|-------------|----------------------------|-------------------|----------|--------|--------|------------|-------------|
| ORANGE      | SELECTIVELY 1,2,3,5,7,9,11 | -                 | 11       | 25.0   | 29.9   | 2-293207-1 | 1-2311506-1 |
| GREEN       | SELECTIVELY 1,3,5,7,9,11   | -                 | 11       | 25.0   | 29.9   | 1-293207-1 | 2311506-1   |
| GREEN       | SELECTIVELY 1,3,5,7,9      | -                 | 9        | 20.0   | 24.9   | 2-293207-9 | 1-2311505-9 |
| ORANGE      | SELECTIVELY 1,3,4,6,8,9    | 2/3               | 9        | 20.0   | 24.9   | 0-293207-9 | 2311505-9   |
| GREEN       | SELECTIVELY 1,3,5,7        | -                 | 7        | 15.0   | 19.9   | 0-293207-7 | 2311505-7   |
| GREEN       | FULLY LOADED               | 5/6               | 6        | 12.5   | 17.4   | 2-293207-6 | 6-2311500-6 |
| ORANGE      | FULLY LOADED               | -                 | 6        | 12.5   | 17.4   | 0-293207-6 | 5-2311500-6 |
| GREEN       | SELECTIVELY 1,3,5          | -                 | 5        | 10.0   | 14.9   | 0-293207-5 | 2311505-5   |
| GREEN       | FULLY LOADED               | -                 | 3        | 5.0    | 9.9    | 1-293207-3 | 7-2311500-3 |
| ORANGE      | SELECTIVELY 1,3            | -                 | 3        | 5.0    | 9.9    | 0-293207-3 | 2311505-3   |
| COLOUR CODE | CONTACT LOADING            | POLARIZ. RIB POS. | HSG POS. | DIM. A | DIM. B | TE P/N     | TE P/N      |

| Q.TY      | MATERIAL   | DESCRIPTION            | ITEM |
|-----------|--|------------------------|------|
| SEE TABLE | PH. BRONZE, TIN PLATED   | IDC RECEPTACLE CONTACT | 2    |
|           | PA GF, UL94-V0 & GWPT 750 NO-FLAME, NATURAL  | FEMALE HOUSING         | 1    |
|           | PA66 GLASS FIBER FILLED, ACC. TO IEC 60335-1 REV.4 (GWT 750°C NO FLAME) COLOR WHITE OR NATURAL | FEMALE HOUSING         | 1    |

| REVISIONE DELL'ASSEMBLATO (REVISION OF EACH ASSY NO) | ELENCO DEI COMPONENTI (PARTS LIST) |
|--|------------------------------------|
| 0.14 PER ASSEMBLATO (QTY REQ'D PER ASSY)             |                                    |

THIS DRAWING IS A CONTROLLED DOCUMENT. DIMENSIONS: mm. TOLERANCES UNLESS OTHERWISE SPECIFIED: 0 PLC ±0.2, 1 PLC ±0.2, 2 PLC ±0.2, 3 PLC ±0.2, 4 PLC ±0.2, ANGLES ±1°. MATERIAL: SEE TABLE. FINISH: -.

OWN: R. FABRIS 22JUN2006. CHK: - 22JUN2006. APVD: G. TURCO 22JUN2006. NAME: DUOPLUG 2.5 FEMALE CONN. STANDARD. PRODUCT SPEC: 108-20279. APPLICATION SPEC: 114-18049-1. SIZE: CAGE CODE DRAWING NO: A100779. WEIGHT: -.

TE Connectivity. CUSTOMER DRAWING. SCALE 10:1. SHEET 1 OF 1. REV D2.