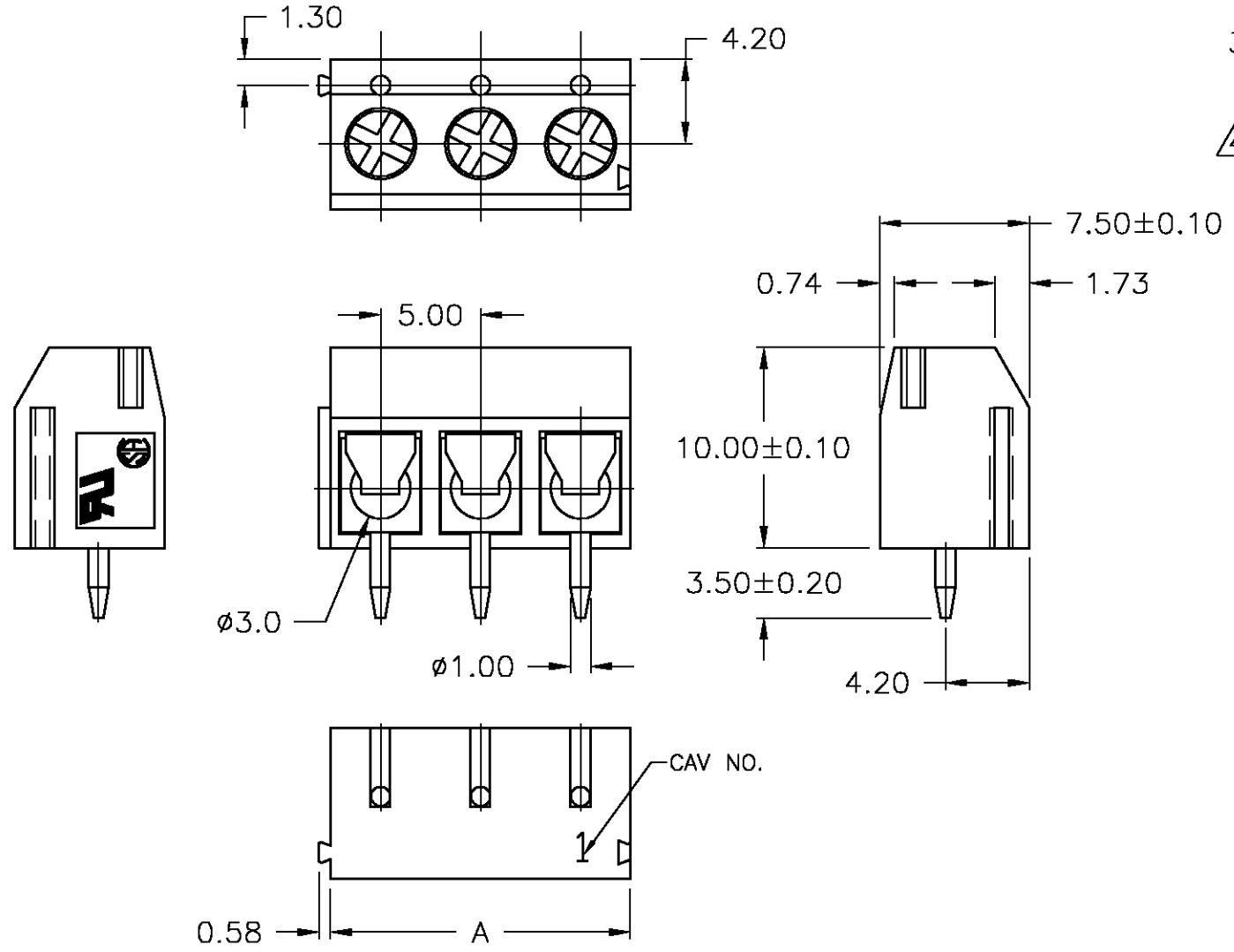


THIS DRAWING IS UNPUBLISHED. RELEASED FOR PUBLICATION
 © COPYRIGHT BY TYCO ELECTRONICS CORPORATION. ALL RIGHTS RESERVED.

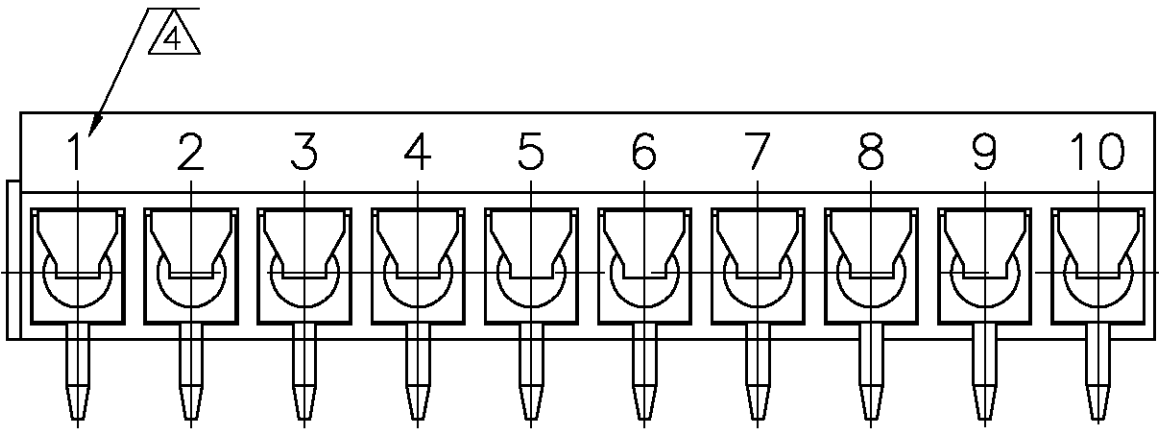
LOC	DIST	REVISIONS					
FT	0	P	LTR	DESCRIPTION	DATE	DWN	APVD
			C	REVISED PER 0G3B-0599-03	8/1/03	SS	CR

- NOTES:
1. ALL DIMENSIONS ARE IN MM.
 2. RECOMMENDED PC-BOARD-HOLES DIAMETER: $\phi 1.20\text{MM}$ TO $\phi 1.40\text{MM}$.
 3. BUCHANAN LOGO TO APPEAR ON HOUSING LOCATION OPTIONAL WHERE SPACE PERMITS.

 WHITE INK MARK.


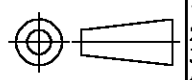


796734-3 AS SHOWN



2-796734-5

50.00	10	2-796734-5
120.00	24	2-796734-4
115.00	23	2-796734-3
110.00	22	2-796734-2
105.00	21	2-796734-1
100.00	20	2-796734-0
95.00	19	1-796734-9
90.00	18	1-796734-8
85.00	17	1-796734-7
80.00	16	1-796734-6
75.00	15	1-796734-5
70.00	14	1-796734-4
65.00	13	1-796734-3
60.00	12	1-796734-2
55.00	11	1-796734-1
50.00	10	1-796734-0
45.00	9	796734-9
40.00	8	796734-8
35.00	7	796734-7
30.00	6	796734-6
25.00	5	796734-5
20.00	4	796734-4
15.00	3	796734-3
10.00	2	796734-2
DIM. A	NO. OF POS.	PART NUMBER

THIS DRAWING IS A CONTROLLED DOCUMENT.		DWN	E. ZANOLINI	26JAN01	 Tyco Electronics Corporation Harrisburg, PA 17105-3608
DIMENSIONS: MM		CHK	E. ZANOLINI	26JAN01	
		APVD	D. BIEVENOUR	26JAN01	
TOLERANCES UNLESS OTHERWISE SPECIFIED:		PRODUCT SPEC			
0 PLC ± - 1 PLC ± 0.3 2 PLC ± 0.25 3 PLC ± - 4 PLC ± - ANGLES ± -		APPLICATION SPEC			NAME
MATERIAL		WEIGHT			TERMINAL BLOCK PCB MOUNT, STRAIGHT SIDE WIRE ENTRY, LOW PROFILE w/3.5mm pins W/INTERLOCK, 5.00mm PITCH (LT)
FINISH		CUSTOMER DRAWING			SIZE A3 CAGE CODE 00779 DRAWING NO. C-796734
		SCALE NTS			RESTRICTED TO
		SHEET 1 OF 2			REV C

THIS DRAWING IS UNPUBLISHED. RELEASED FOR PUBLICATION
 © COPYRIGHT - BY TYCO ELECTRONICS CORPORATION. ALL RIGHTS RESERVED.

LOC	DIST	REVISIONS				
P	LTR	DESCRIPTION	DATE	DWN	APVD	
FT	0	C	SEE SHEET 1	-	-	

1. Application and Features:

- 1-1. Standard sizes are 2 and 3 way-blocks, but every number of contact can be combined, by simply plugging them together and can be ordered as required**
- 1-2. With wire guard for wire protection (for that the screw doesn't press directly on the wire)

2-3. Mechanical:

- 2-3-1. Torque: 4 Kg.cm (Max).
- 2-3-2. Operating temperature: -55°C to +105°C.
- 2-3-3. Solderability: 95% coverage (min).

2. Technical Data:

2-1. Material:

- 2-1-1. HOUSING: NY-FR15 UL 94 V-0, (Green).
- 2-1-2. Metal Housing: Brass(Cu Zn)
Cu,Tin plated.
- 2-1-3. Wire guard: Stainless steel.
- 2-1-4. Screw: Steel galvanized and chromitized, M2.6

2-2. Electrical:

- 2-2-1. Current rating: 10 Amps/way max.
- 2-2-2. Contact resistance: 20mΩ (Max).
- 2-2-3. Insulation resistance: 5000MΩ /1000V.
- 2-2-4. Withstanding Voltage: 1500VAC (1min).
- 2-2-5. Operation Voltage: 300 VAC.
- 2-2-6. Wire Range: 14-22 AWG.

THIS DRAWING IS A CONTROLLED DOCUMENT.		DWN E. ZANOLINI 26JAN01	Tyco Electronics Corporation Harrisburg, PA 17105-3608													
DIMENSIONS: MM		CHK E. ZANOLINI 26JAN01	NAME TERMINAL BLOCK PCB MOUNT, STRAIGHT SIDE WIRE ENTRY, LOW PROFILE w/3.5mm pins W/INTERLOCK, 5.00mm PITCH (LT)													
TOLERANCES UNLESS OTHERWISE SPECIFIED:		APVD D. BIEVENOUR 26JAN01	PRODUCT SPEC													
<table border="0"> <tr><td>0 PLC</td><td>± -</td></tr> <tr><td>1 PLC</td><td>± -</td></tr> <tr><td>2 PLC</td><td>± -</td></tr> <tr><td>3 PLC</td><td>± -</td></tr> <tr><td>4 PLC</td><td>± -</td></tr> <tr><td>ANGLES</td><td>± -</td></tr> </table>		0 PLC	± -	1 PLC	± -	2 PLC	± -	3 PLC	± -	4 PLC	± -	ANGLES	± -	APPLICATION SPEC		RESTRICTED TO
0 PLC	± -															
1 PLC	± -															
2 PLC	± -															
3 PLC	± -															
4 PLC	± -															
ANGLES	± -															
MATERIAL		WEIGHT	SIZE A3	CAGE CODE 00779	DRAWING NO C-796734											
FINISH		CUSTOMER DRAWING		SCALE 1:1	SHEET 2 OF 2											
				REV C												