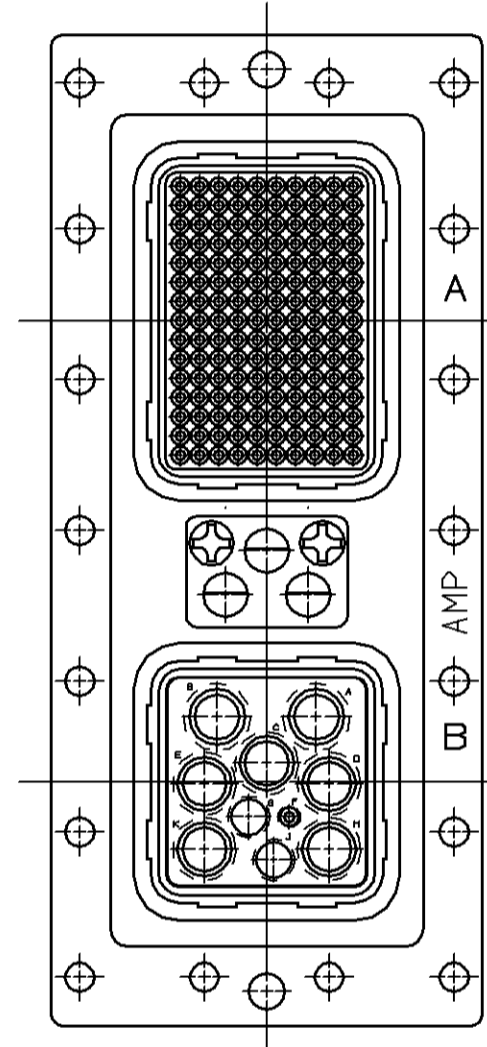
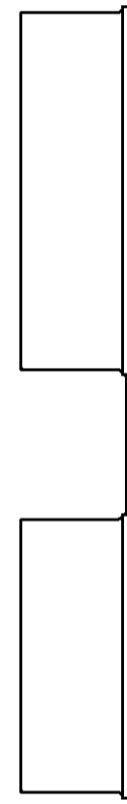
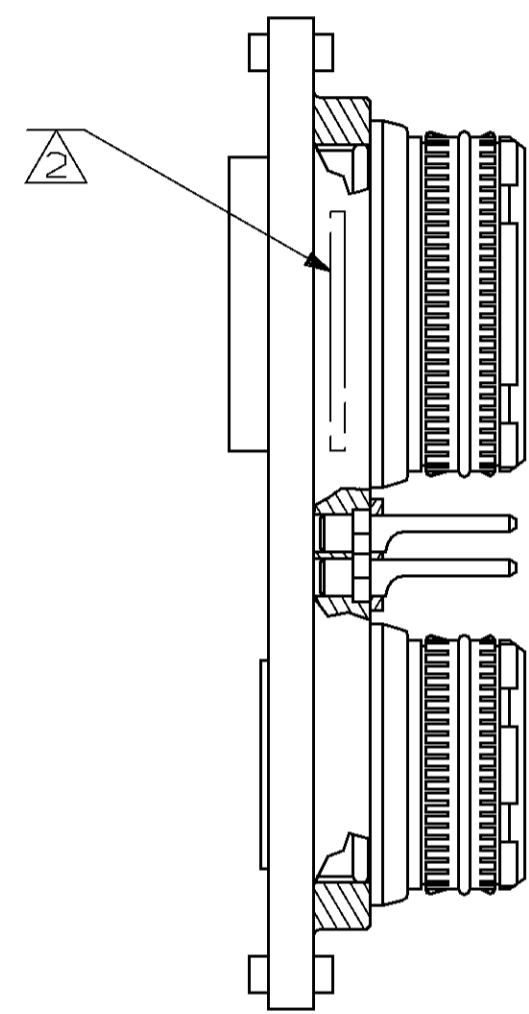
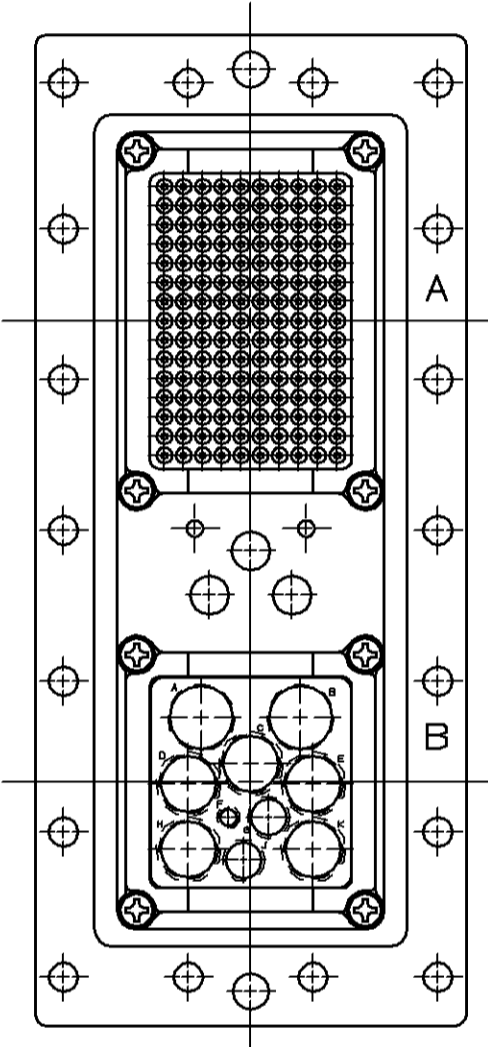




THIS DRAWING IS UNPUBLISHED. RELEASED FOR PUBLICATION, 19 .
 © COPYRIGHT 19 BY AMP INCORPORATED. ALL INTERNATIONAL RIGHTS RESERVED.

PROD CODE	LOC	DIST	P	F	ZONE	LTR	DESCRIPTION	DATE	APPD
5993	DF	AO					RELEASED CT	1-96	AS



- KEYS AND HARDWARE ARE SHIPPED UNASSEMBLED IN A POLY BAG.
-  AMP, AMP PART NO. AND DATE CODE INK STAMPED IN AREA SHOWN.
- CONTACTS ARE NOT INCLUDED IN THIS ASSEMBLY. MUST BE ORDERED SEPARATELY.

DO NOT SCALE PRINT. UNLESS SPECIFIED DIMENSIONS IN INCHES [mm]		DR 1-29-96 C.C. THOMAS		 AMP INCORPORATED Harrisburg, Pa. 17105	
TOLERANCES ON :		CHK 2-5-96 A. SHARPE			
2 PLC DEC ± _____		APPD 2-5-96 A. SHARPE		NAME	
3 PLC DEC ± _____		RLSE 2-5-96 C.C. THOMAS		ASSEMBLY, PLUG, M600, SIZE 2A	
ANGLES ± _____		PRODUCT SPEC			
MATERIAL _____		APPLICATION SPEC		SIZE	CAGE CODE
FINISH _____		WEIGHT -		C	00779
				SCALE	DRAWING NO
				1:1	447432
					SHEET
					1 OF 1

447432-1
PART NO