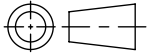
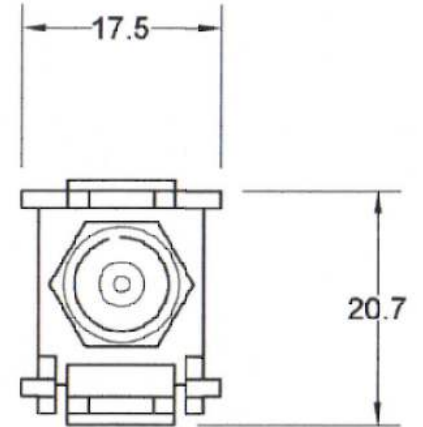
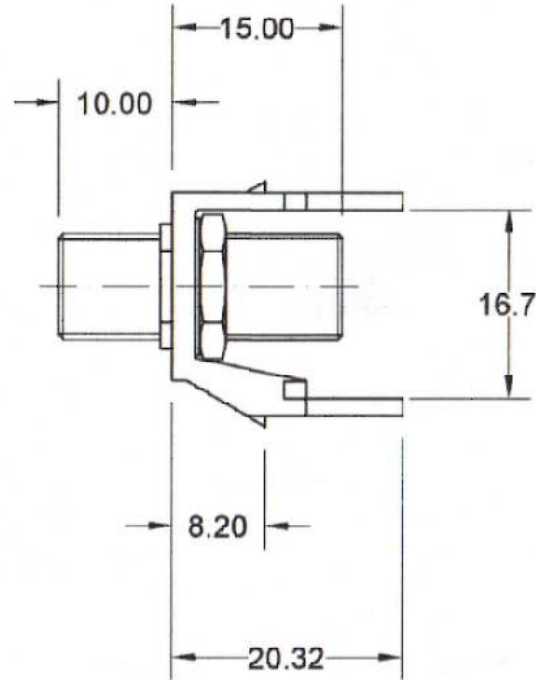
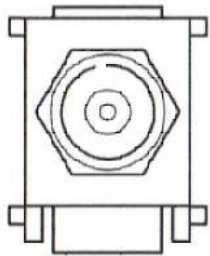


SW2014



Revision level			Revision Record	Changed	Date	Approved	Date
Drawing	State	Part					
.			SEE ECN# 013162	SNH	6/19/2015	KAC	6/19/2015



Material
ABS 94V-0, BRASS AND
NICKEL FINISH

Units: **millimeters**
Dimension without
tolerances details to:
.xxx = ±.013
.xx = ±.13
.x = ±.3
None = ±.8
∠ = ±0.5°
Dimension Formatted mm/[in]

The copyright of this
drawing is reserved by
HellermannTyton. It is
issued on condition that it is
not reproduced, copied, or
disclosed to a third party,
either wholly or in part,
without the consent of
HellermannTyton.

Drawn	SNH	6/19/2015
Approved	KAC	6/19/2015
HellermannTyton		
North America Email: corp@htamericas.com Web: www.hellermann.tyton.com		

Article/Type-No	FINSERT	Scale	1:1
Title	F CONNECTOR MODULE		Project Number
			PRP
Drawing-No	: Phase	Format	AH
		Sheet	1/1