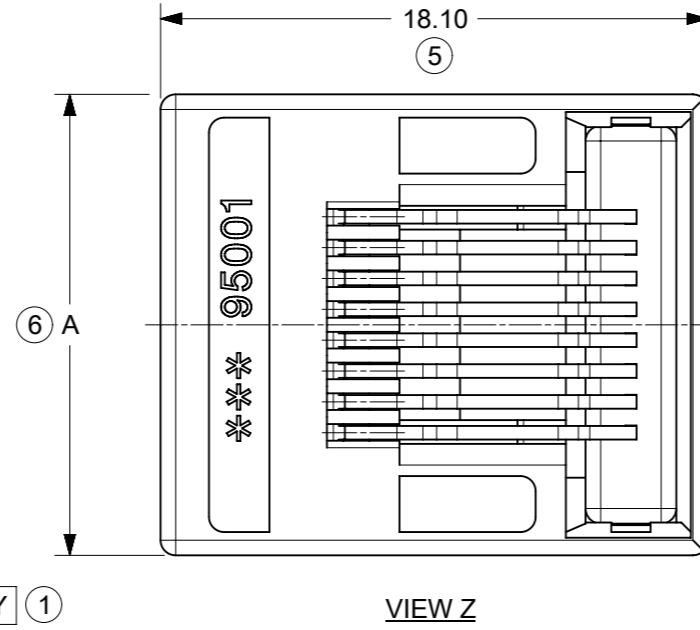
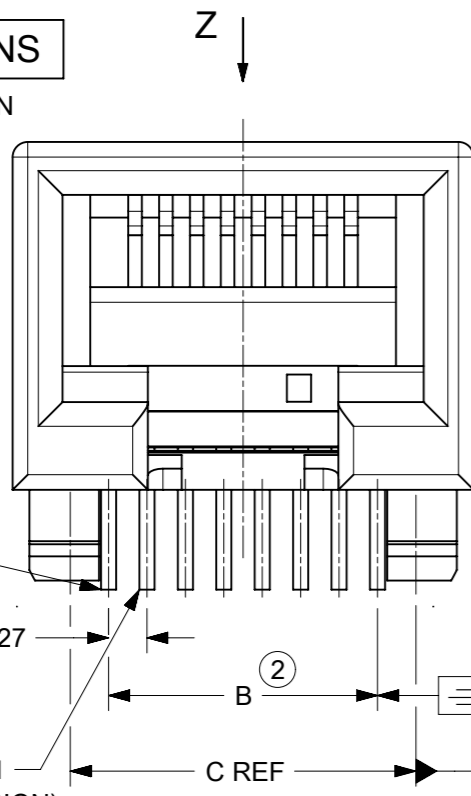


6 & 8 VERSIONS

8 VERSION SHOWN

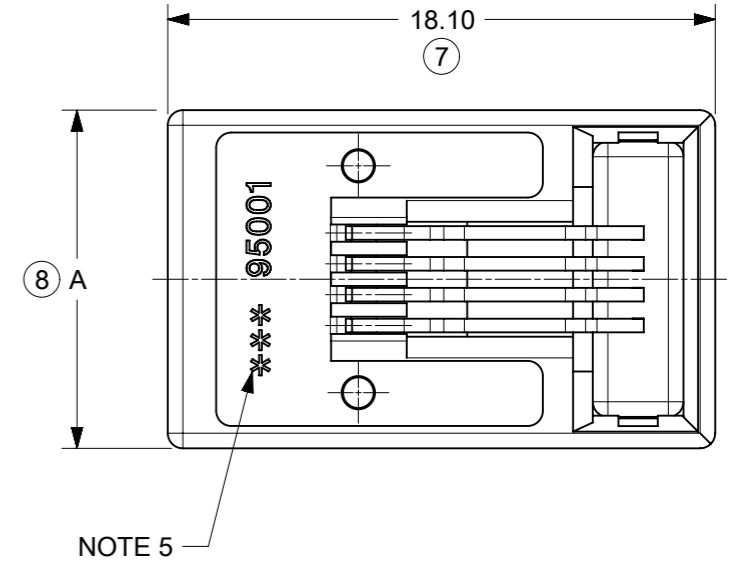
CIRCUIT 1  
(8 CKTS VERSION)

CIRCUIT 1  
(6 CKTS VERSION)



VIEW Z

4 VERSION ONLY

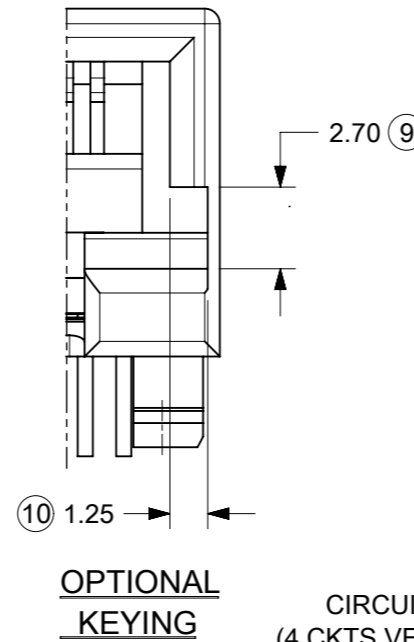


NOTE 5

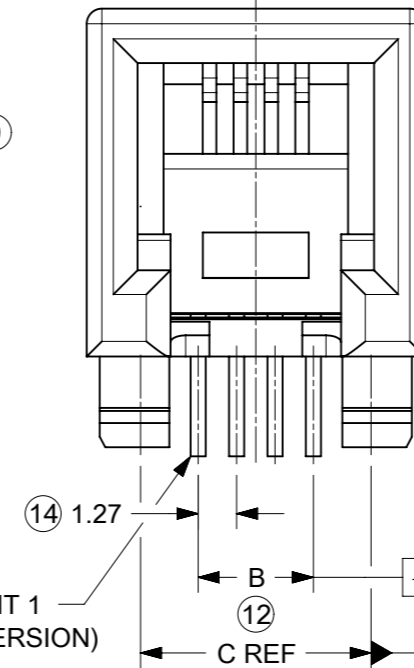
NOTES:

- MATERIAL**  
HOUSING: LCP GLASS FILLED UL 94 V-0, COLOUR BLACK.  
TERMINAL: COPPER ALLOY  
BASE FINISH: NICKEL  
CONTACT SURFACE FINISH:  
GOLD  
OR  
GOLD FLASH OVER PALLADIUM NICKEL.  
EXCEEDS PRODUCT REQUIREMENTS BASED ON PSD-95501
- JACK FOR MATING WITH F.C.C. 68 PLUGS 90075 MOLEX SERIES.
- PRODUCT SPECIFICATION PSD-95501.
- PACKAGING SPECIFICATION PK-95001: STANDARD PACKAGING SHEET 1. SPECIAL PACKAGING SHEET 2. TUBE PACKAGING SHEET 3.
- MANUFACTURING I.D. CAN BE EITHER MXF, MG, MXI OR MXCH.
- RECOMMENDED PCB THICKNESS: 1.57mm  
INSPECTION NUMBERS USED: 1 - 50

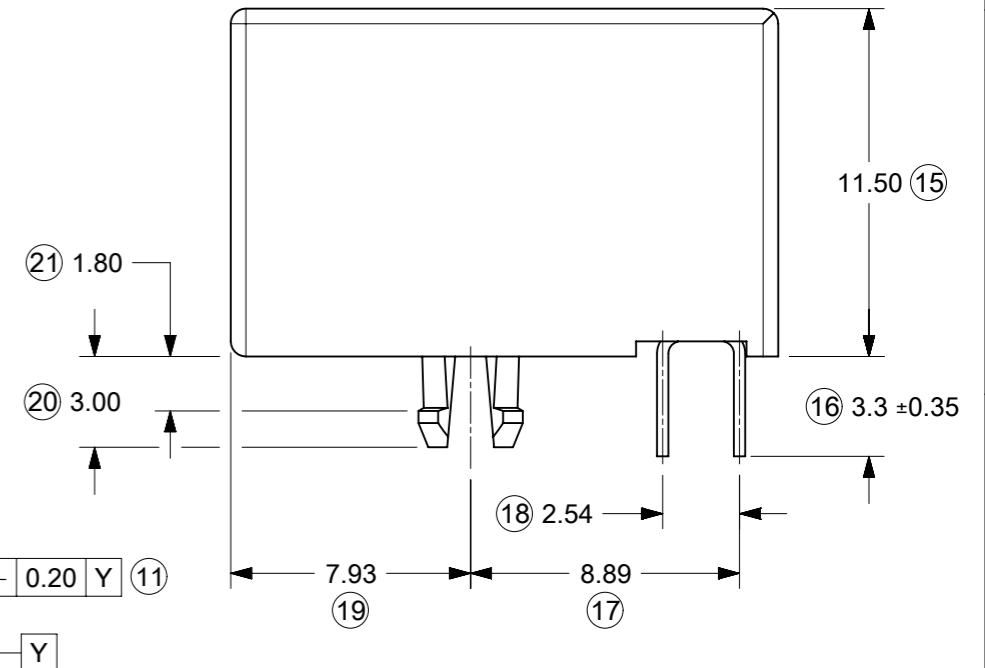
LAST INSPECTION NUMBER: 21  
REMOVED INSPECTION NO: 3, 13



OPTIONAL KEYING



CIRCUIT 1  
(4 CKTS VERSION)

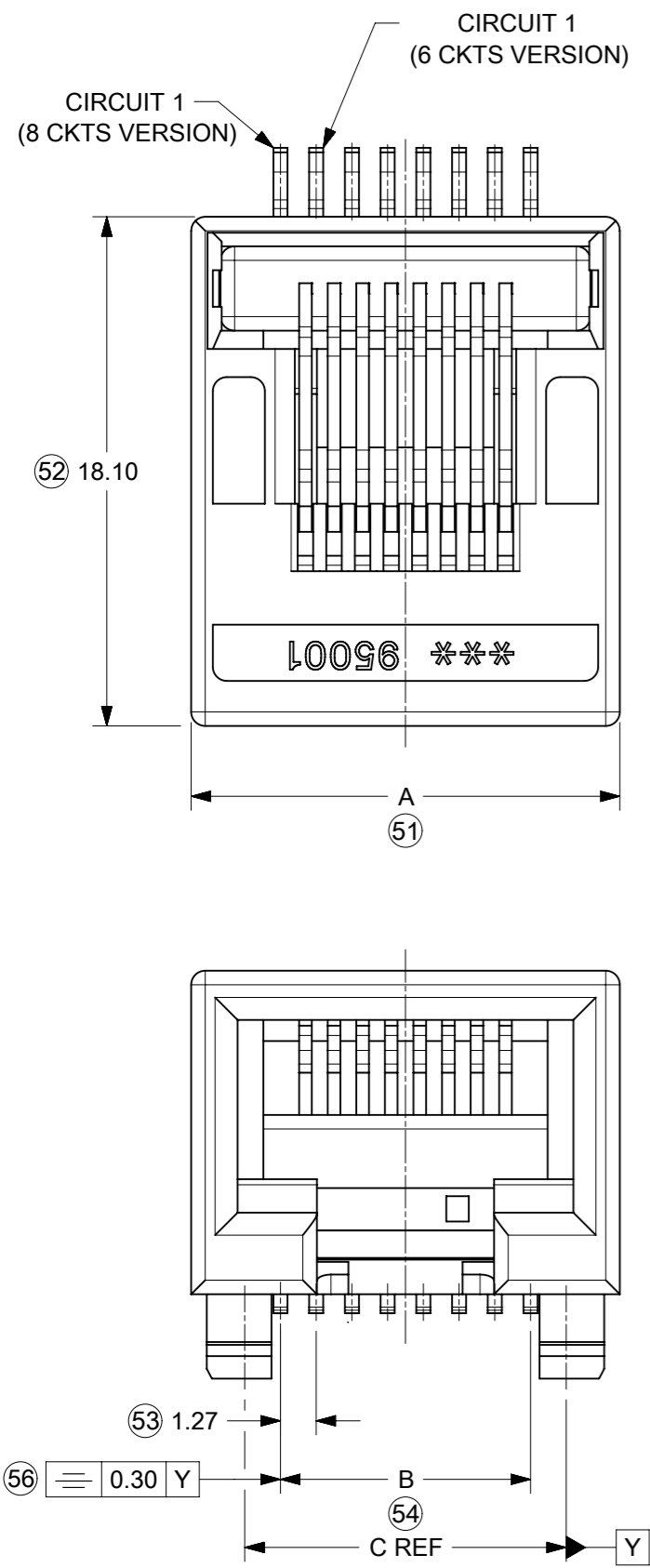


DIM. \ TYPE	POS. 4	POS. 6		POS. 8
	4 CKTS.	4 CKTS.	6 CKTS.	8 CKTS.
A	11.18	13.21	13.21	15.24
C	7.62	10.16	10.16	11.43
B	3.81	3.81	6.35	8.89

THIS DRAWING CONTAINS INFORMATION THAT IS PROPRIETARY TO MOLEX ELECTRONIC TECHNOLOGIES, LLC AND SHOULD NOT BE USED WITHOUT WRITTEN PERMISSION

DIMENSION UNITS <b>mm</b>	SCALE <b>4:1</b>	CURRENT REV DESC: REMASTERED USING 3D MODELS	<b>molex</b>		
GENERAL TOLERANCES (UNLESS SPECIFIED)					
ANGULAR TOL ± °	EC NO: 686849		PRODUCT CUSTOMER DRAWING		
4 PLACES ±	DRWN: SANTHN 2021/05/21		DOCUMENT NUMBER		
3 PLACES ±	CHK'D: KLANG 2022/01/10		DOC TYPE DOC PART REVISION		
2 PLACES ± 0.15	APPR: KLANG 2022/01/10		SD-95501-001 PSD 001 F1		
1 PLACE ± 0.25	INITIAL REVISION:		MATERIAL NUMBER		
0 PLACES ±	DRWN: DBYRNES 2006/10/11		CUSTOMER		
DRAFT WHERE APPLICABLE MUST REMAIN WITHIN DIMENSIONS		THIRD ANGLE PROJECTION	DRAWING	SERIES	SHEET NUMBER
			A3-SIZE	95501	1 OF 5

**6 & 8 VERSIONS**  
8 VERSION SHOWN

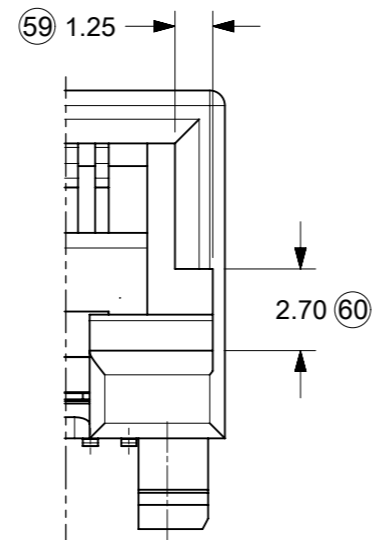
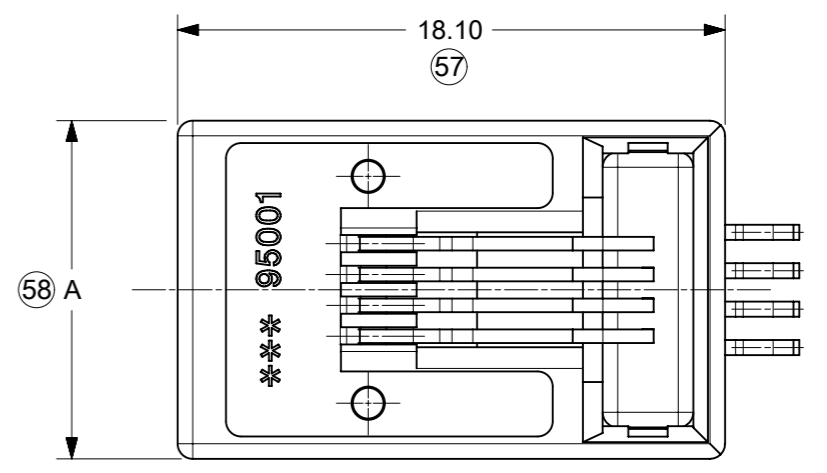


TYPE DIM.	POS. 4	POS. 6		POS. 8
	4 CKTS.	4 CKTS.	6 CKTS.	8 CKTS.
A	11.18	13.21	13.21	15.24
C	7.62	10.16	10.16	11.43
B	3.81	3.81	6.35	8.89

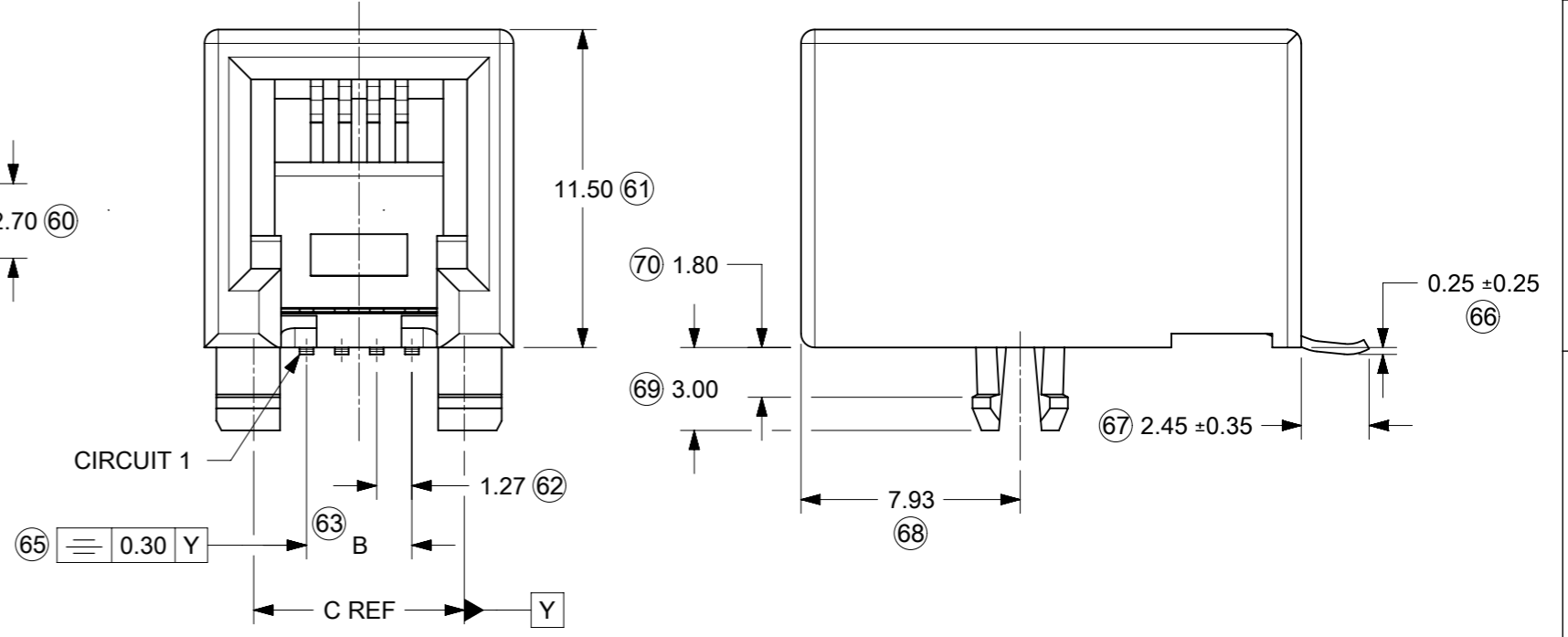
- NOTES:**
- MATERIAL:**  
HOUSING: LCP GLASS FILLED UL 94V-0.  
COLOUR BLACK.
  - SEE OTHER NOTES SHEET 1.
  - COPLANARITY OF SIGNAL TAILS 0.10mm.

INSPECTION NUMBERS USED: 51 - 100  
LAST INSPECTION NUMBER: 70  
REMOVED INSPECTION NO: 55, 64

**4 VERSION ONLY**



**OPTIONAL KEYING**



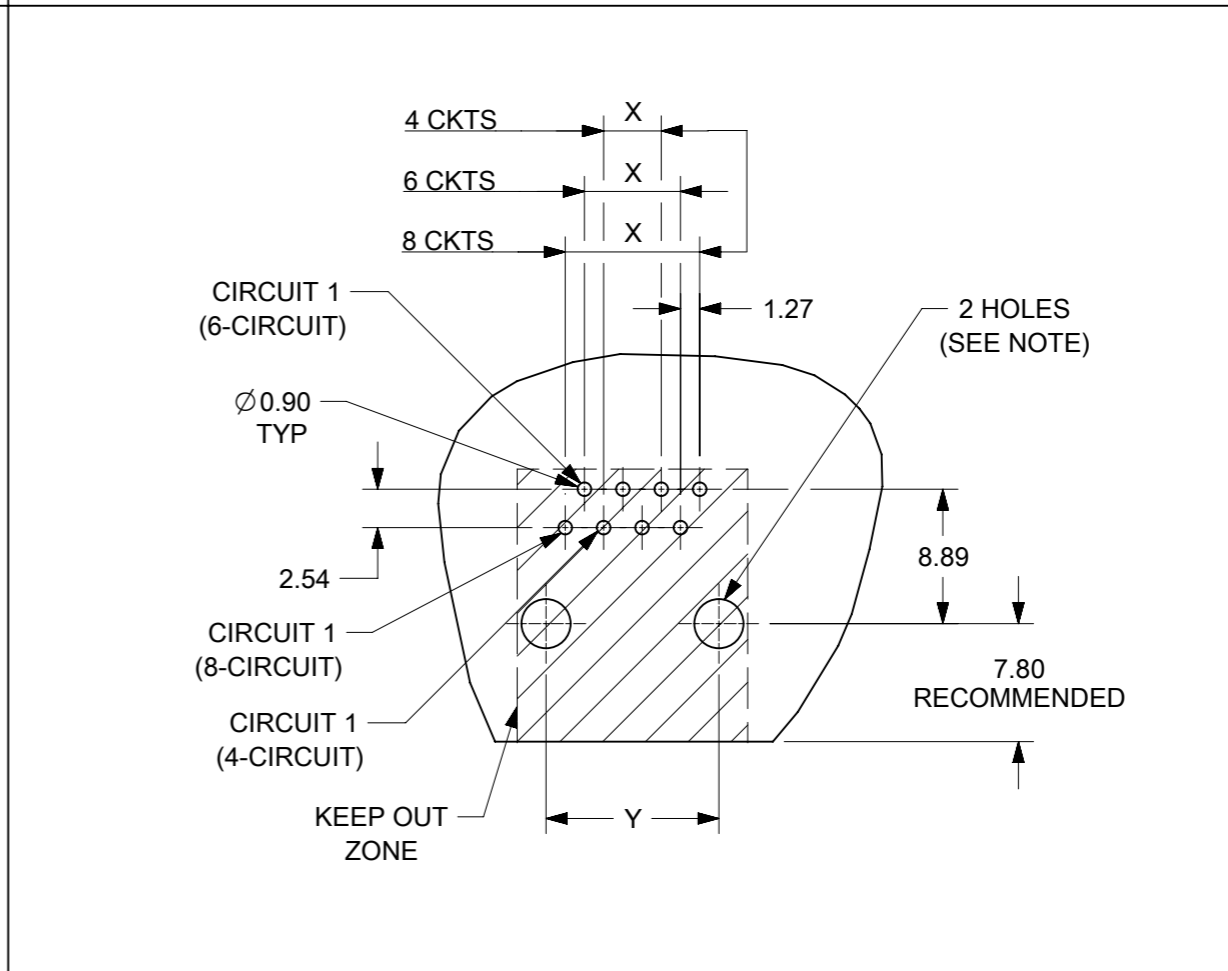
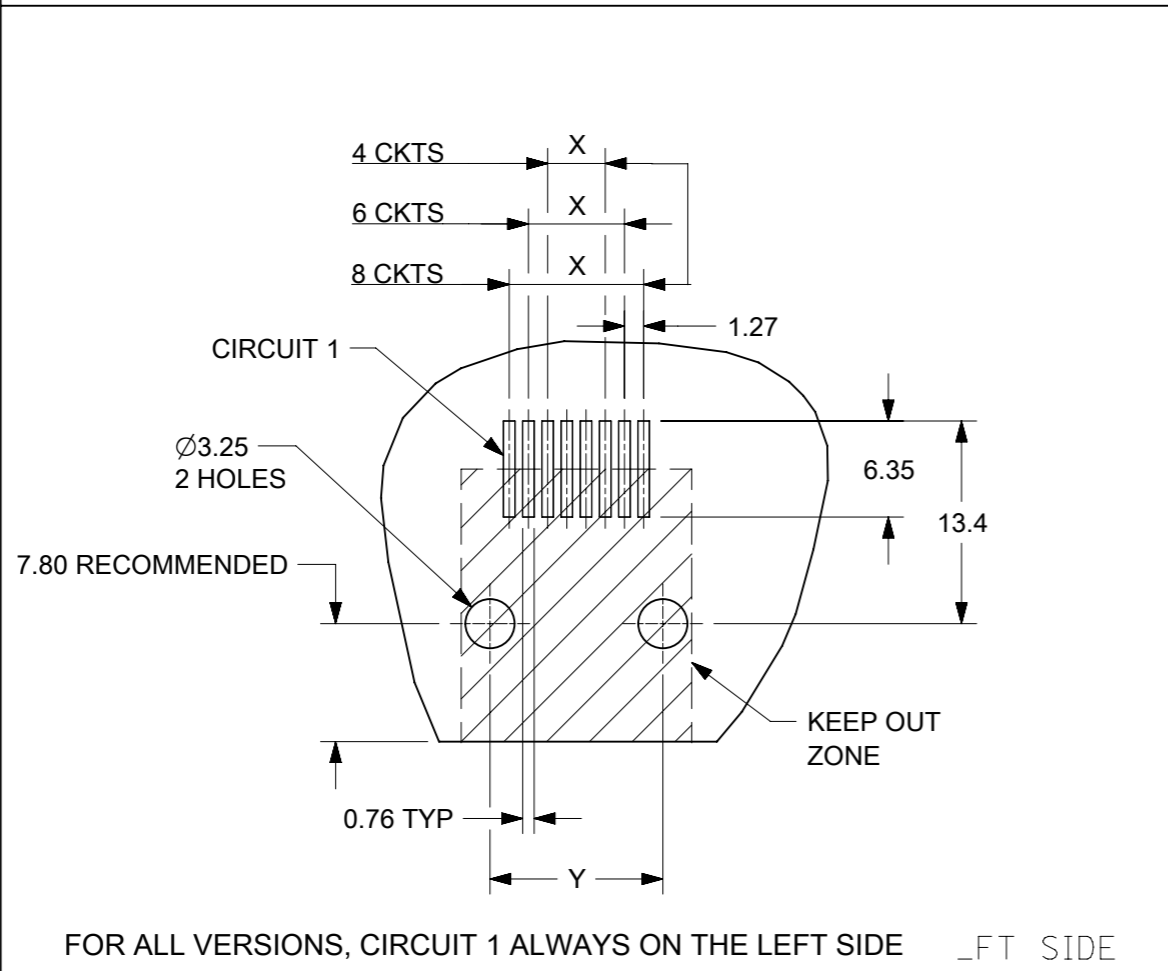
THIS DRAWING CONTAINS INFORMATION THAT IS PROPRIETARY TO MOLEX ELECTRONIC TECHNOLOGIES, LLC AND SHOULD NOT BE USED WITHOUT WRITTEN PERMISSION			
CURRENT REV DESC: REMASTERED USING 3D MODELS			
GENERAL TOLERANCES (UNLESS SPECIFIED)		PRODUCT CUSTOMER DRAWING	
ANGULAR TOL ± °		DOCUMENT NUMBER	
4 PLACES ±		SD-95501-001	
3 PLACES ±		DOC TYPE DOC PART REVISION	
2 PLACES ± 0.15		PSD 001 F1	
1 PLACE ± 0.25		MATERIAL NUMBER	
0 PLACES ±		SEE CHART	
DRAFT WHERE APPLICABLE MUST REMAIN WITHIN DIMENSIONS		CUSTOMER	
THIRD ANGLE PROJECTION		GENERAL MARKET	
DRAWING		SHEET NUMBER	
A3-SIZE		2 OF 5	
SERIES		DATE	
95501		2022/01/10	

TYPE	POS. 4	POS. 6		POS. 8
	4 CKTS.	4 CKTS.	6 CKTS.	8 CKTS.
Y±0.05	7.62	10.16	10.16	11.43
X±0.05	3.81	3.81	6.35	8.89

P.C.B. MOUNTING PATTERNS - SEE FROM COMPONENT SIDE

FOR SMT JACK TYPE (SURFACE MOUNT)

FOR STANDARD JACK TYPE (THROUGH HOLE)



FOR ALL VERSIONS, CIRCUIT 1 ALWAYS ON THE LEFT SIDE \_FT SIDE

NOTE:  
 FOR CONVECTION SOLDERING: DIA 3.25±0.05  
 FOR WAVE SOLDERING: DIA 3.20±0.10  
 ALL DIMENSIONS REF DIMENSIONS

THIS DRAWING CONTAINS INFORMATION THAT IS PROPRIETARY TO MOLEX ELECTRONIC TECHNOLOGIES, LLC AND SHOULD NOT BE USED WITHOUT WRITTEN PERMISSION										
DIMENSION UNITS	SCALE	CURRENT REV DESC: REMASTERED USING 3D MODELS								
mm	2:1									
GENERAL TOLERANCES (UNLESS SPECIFIED)										
ANGULAR TOL	± °	R/A LOW PROFILE PC JACK 4,6,8 CKTS SIZE THROUGH HOLE VERSION								
4 PLACES	±	PRODUCT CUSTOMER DRAWING								
3 PLACES	±	EC NO: 686849 DRWN: SANTHN 2021/05/21 CHK'D: KLANG 2022/01/10 APPR: KLANG 2022/01/10								
2 PLACES	± 0.15	INITIAL REVISION:								
1 PLACE	± 0.25	DRWN: DBYRNES 2006/10/11 APPR: EOMAHONY 2006/10/12								
0 PLACES	±	DRAFT WHERE APPLICABLE MUST REMAIN WITHIN DIMENSIONS		THIRD ANGLE PROJECTION	DRAWING	SERIES	MATERIAL NUMBER	CUSTOMER	SHEET NUMBER	
					A3-SIZE	95501	SEE CHART	GENERAL MARKET	3 OF 5	
DOCUMENT STATUS		P1	RELEASE DATE	2022/01/10	19:59:33	SD-95501-001		PSD	001	F1


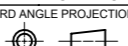
# STANDARD PACKAGING OPEN TRAY, SEE PACKAGING SPEC PK95001 SHEET 1

## PART NO. FOR JACK ASSEMBLY THROUGH HOLE VERSION

LCP GLASS FILLED UL-94V0, COLOUR BLACK.

HOUSING SIZE	LOADED CONTACTS
4	4
6	4
6	6
8	8

NO KEY	TOOLED	KEY	TOOLED		TOOLED		TOOLED
NOT RIBBED		NOT RIBBED					
95501-2441	X						
95501-2641	X						
95501-2661	X						
95501-2881	X	95501-2882	X				

THIS DRAWING CONTAINS INFORMATION THAT IS PROPRIETARY TO MOLEX ELECTRONIC TECHNOLOGIES, LLC AND SHOULD NOT BE USED WITHOUT WRITTEN PERMISSION									
DIMENSION UNITS	SCALE	CURRENT REV DESC: REMASTERED USING 3D MODELS							
mm	1:1								
GENERAL TOLERANCES (UNLESS SPECIFIED)		EC NO: 686849			R/A LOW PROFILE PC JACK 4,6,8 CKTS SIZE THROUGH HOLE VERSION				
ANGULAR TOL ± °		DRWN: SANTHN 2021/05/21			PRODUCT CUSTOMER DRAWING				
4 PLACES ±		CHK'D: KLANG 2022/01/10			DOCUMENT NUMBER				
3 PLACES ±		APPR: KLANG 2022/01/10			SD-95501-001				
2 PLACES ± 0.15		INITIAL REVISION:			DOC TYPE				
1 PLACE ± 0.25		DRWN: DBYRNES 2006/10/11			PSD				
0 PLACES ±		APPR: EOMAHONY 2006/10/12			DOC PART				
DRAFT WHERE APPLICABLE MUST REMAIN WITHIN DIMENSIONS		THIRD ANGLE PROJECTION		DRAWING		SERIES		REVISION	
				A3-SIZE		95501		F1	
				MATERIAL NUMBER		CUSTOMER		SHEET NUMBER	
				SEE CHART		GENERAL MARKET		4 OF 5	

# SPECIAL PACKAGING TUBE, SEE PACKAGING SPEC PK95001 SHEET 3

## PART NO. FOR JACK ASSEMBLY THROUGH HOLE VERSION

LCP GLASS FILLED UL 94-V0, COLOUR BLACK.

NO KEY	TOOLED	KEY		TOOLED	TOOLED	TOOLED
		NOT RIBBED	TOOLED			
NOT RIBBED	TOOLED	NOT RIBBED	TOOLED			
95501-2401	X					
95501-2611	X					
95501-2821	X					

## PART NO. FOR JACK ASSEMBLY SMT VERSION

LCP GLASS FILLED UL 94-V0, COLOUR BLACK.

NO KEY	TOOLED	KEY		NO KEY	TOOLED	KEY		TOOLED
		NOT RIBBED	TOOLED			NOT RIBBED	TOOLED	
NOT RIBBED	TOOLED	NOT RIBBED	TOOLED	NOT RIBBED	TOOLED	NOT RIBBED	TOOLED	
95501-6449	X							
95501-6649	X							
95501-6669	X							
95501-6889	X	95501-6890	X					

HOUSING SIZE	LOADED CONTACTS
4	4
6	4
6	6
8	8

THIS DRAWING CONTAINS INFORMATION THAT IS PROPRIETARY TO MOLEX ELECTRONIC TECHNOLOGIES, LLC AND SHOULD NOT BE USED WITHOUT WRITTEN PERMISSION									
DIMENSION UNITS	SCALE	CURRENT REV DESC: REMASTERED USING 3D MODELS			molex				
mm	1:1				R/A LOW PROFILE PC JACK 4,6,8 CKTS SIZE THROUGH HOLE VERSION				
GENERAL TOLERANCES (UNLESS SPECIFIED)		EC NO: 686849			PRODUCT CUSTOMER DRAWING				
ANGULAR TOL ± °		DRWN: SANTHN 2021/05/21			DOCUMENT NUMBER				
4 PLACES ±		CHK'D: KLANG 2022/01/10			SD-95501-001				
3 PLACES ±		APPR: KLANG 2022/01/10			PSD 001 F1				
2 PLACES ± 0.15		INITIAL REVISION:			DOC TYPE DOC PART REVISION				
1 PLACE ± 0.25		DRWN: DBYRNES 2006/10/11			MATERIAL NUMBER				
0 PLACES ±		APPR: EOMAHONY 2006/10/12			CUSTOMER				
DRAFT WHERE APPLICABLE MUST REMAIN WITHIN DIMENSIONS		THIRD ANGLE PROJECTION	DRAWING	SERIES	MATERIAL NUMBER		CUSTOMER		SHEET NUMBER
			A3-SIZE	95501	SEE CHART		GENERAL MARKET		5 OF 5