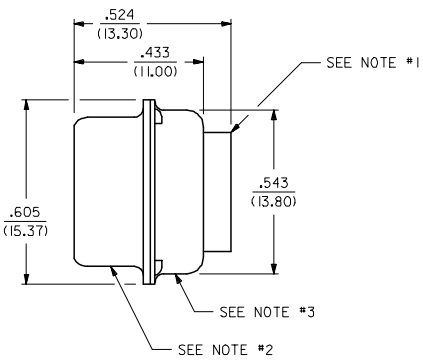
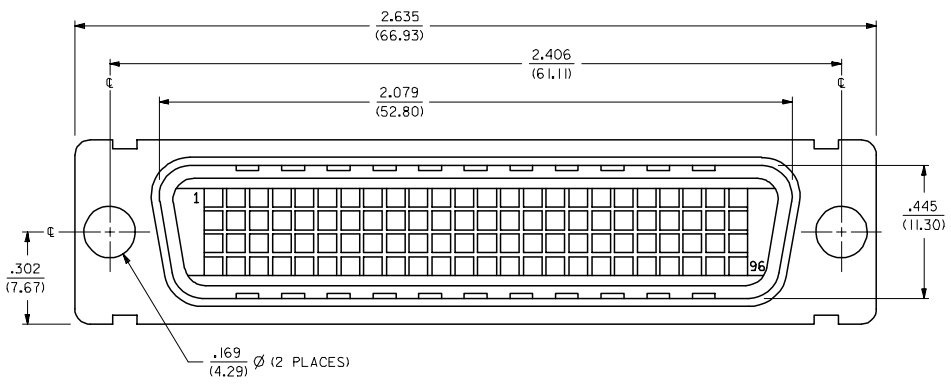
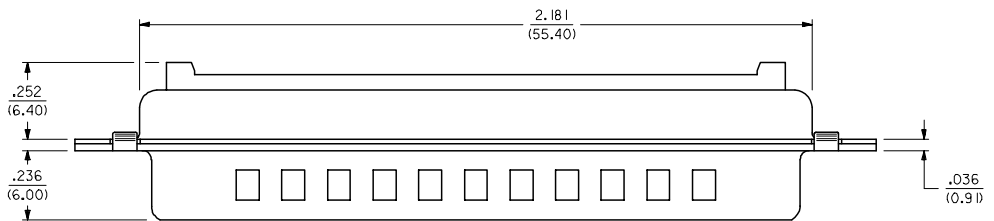


20 19 18 17 16 15 14 13 12 11 10 9 8 7 6 5 4 3 2 1

NOTES:

- 1) CONNECTOR MATERIALS:
HOUSING AND INSERT-MOLDED STICKS ARE BOTH MADE OF GLASS FILLED LCP (LIQUID CRYSTAL POLYMER), RATED U.L. 94 V-0, COLOR IS BLACK; TERMINALS ARE .018/(0.46) THICK PHOSPHOR BRONZE; TERMINAL PLATING IS .000030/(.00076) MINIMUM GOLD IN CONTACT AREA, OVER .000100/(.00254) MINIMUM TIN ON P.C. TAILS, OVER NICKEL UNDERPLATE OVERALL.
- 2) FRONT SHELL:
DRAW QUALITY STEEL, .020/(0.51) THICK;
PLATING: SEE TABLE
BRIGHT TIN: 150-250 MICRONS/(3.81-6.35 MICROMETERS) BRIGHT TIN OVER 50-150 MICRONS/(1.27-3.81 MICROMETERS) NICKEL OVER COPPER FLASH OVERALL (OPTIONAL).
BRIGHT NICKEL: 100-175 MICRONS/(2.54-4.44 MICROMETERS) BRIGHT NICKEL OVER 50 MICRONS/(1.27 MICROMETERS) MAXIMUM COPPER OVERALL.
- 3) BACK SHELL:
DRAW QUALITY STEEL, .016/(0.41) THICK;
PLATING: 150-250 MICRONS/(3.81-6.35 MICROMETERS) BRIGHT TIN OVER 50-150 MICRONS/(1.27-3.81 MICROMETERS) NICKEL OVER COPPER FLASH OVERALL (OPTIONAL).
- 4) ALL DIMENSIONS ARE SHOWN FOR REFERENCE ONLY UNLESS SPECIFIED OTHERWISE.
- 5) THIS CONNECTOR CONFORMS TO PRODUCT SPECIFICATION PS-70660.
- 6) INSERT-MOLDED TERMINAL STRIP ASSEMBLIES ARE SUPPLIED SEPARATELY FOR SOLDERING TO STRANDED WIRE CABLE. (SEE SHEET 2 FOR CUSTOMER ORDER NUMBER).

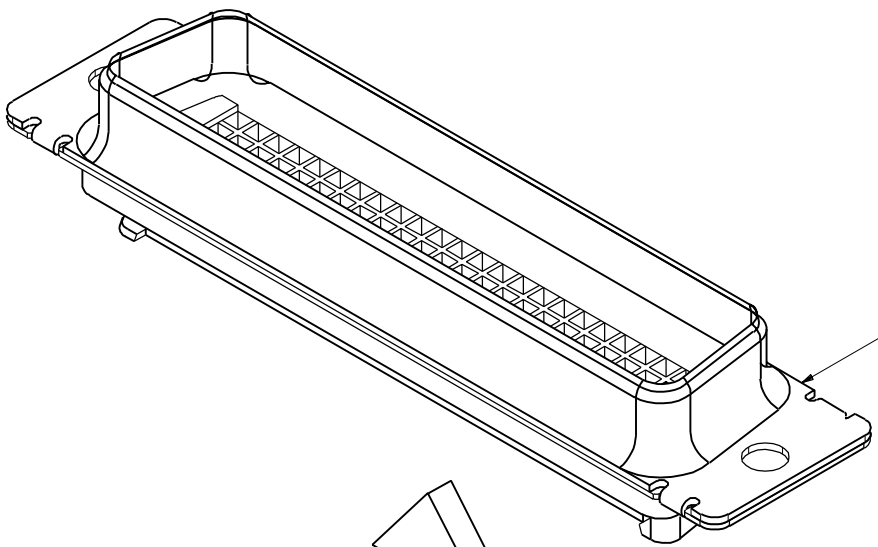
NOTE FOR LEAD FREE CONVERSION:
THE PRIMARY SHIPPING CARTON WILL BE LABELED 'COMPLIANT TO RoHS DIRECTIVE 2002/95/EC AND ELV ANNEX II OF DIRECTIVE 2000/53/EC'. CARTONS WITHOUT THIS LABEL MAY CONTAIN PRODUCT WITH LEAD.



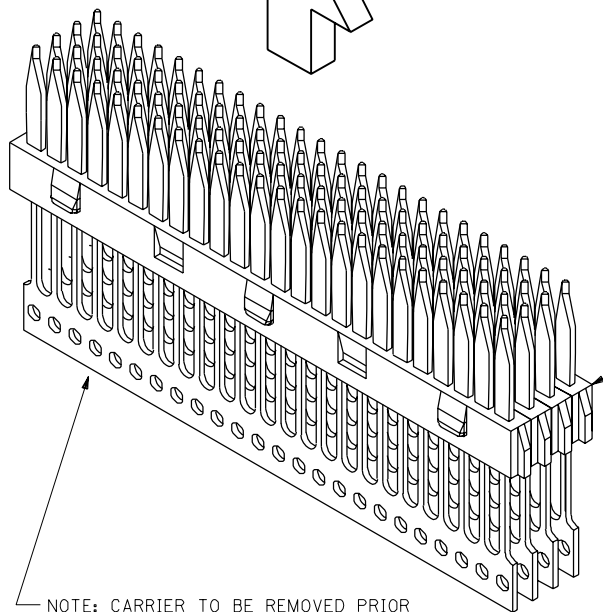
2	B
1	D
SHT	REV

70665-2009	PLUG CONNECTOR SUB-ASSEMBLY (FRONT SHELL-HOUSING-BACK SHELL) ONLY	BRIGHT NICKEL
051-26-0012	PLUG CONNECTOR SUB-ASSEMBLY (FRONT SHELL-HOUSING-BACK SHELL) ONLY	BRIGHT TIN
CUSTOMER ORDERING NO.	PRODUCT DESCRIPTION	FRONT SHELL PLATING

ADD 70665-2009 EC NO: UCP2006-0666 DRWNSI BARRA 2006/07/06 CHKCDMORGAN 2006/07/07 APPR: SHILLER 2006/07/09	QUALITY SYMBOLS	GENERAL TOLERANCES (UNLESS SPECIFIED)	DIMENSION STYLE	SCALE	DESIGN UNITS	THIRD ANGLE PROJECTION
	▽=0 ▽=0	mm INCH 4 PLACES ± --- ± --- 3 PLACES ± --- ± --- 2 PLACES ± --- ± --- 1 PLACE ± --- ± --- ANGULAR ±1/2°	IN/MM DRAWN BY DATE SCHMIDGALL 93/04/21 CHECKED BY DATE CAB 93/04/21 APPROVED BY DATE CAB 93/04/21	5:1	INCH	TITLE LFH .075 PITCH, 96 CKT. VERT. I/O PLUG (SALES)
	DRAFT WHERE APPLICABLE MUST REMAIN WITHIN DIMENSIONS	SEE TABLE	MATERIAL NO.	DOCUMENT NO.	MOLEX INCORPORATED SDA-70665-2001	
	SIZE D	THIS DRAWING CONTAINS INFORMATION THAT IS PROPRIETARY TO MOLEX INCORPORATED AND SHOULD NOT BE USED WITHOUT WRITTEN PERMISSION				



PLUG CONNECTOR
SUB-ASSEMBLY (AS SHOWN ON SHEET 1)



INSERT-MOLDED STICKS
SUPPLIED SEPARATELY
CUSTOMER ORDER NUMBER: 051-25-1005
(SEE SALES DRAWING: SDA-71989-4001)

NOTE: CARRIER TO BE REMOVED PRIOR
TO FASTENING CABLE BY CUSTOMER

70665

MFG. SH. REV.

		B	SEE SHEET 1
LTR.	REVISIONS	LTR.	REVISIONS

DIMENSIONS SHOWN (METRIC) INCH	
UNLESS OTHERWISE SPECIFIED TOLERANCES: ANGULAR ± 1/2°	
3 PLACE ±	INCH METRIC
2 PLACE ±	±
1 PLACE ±	±
DRAFT WHERE APPLICABLE MUST REMAIN WITHIN DIMENSIONS	
DRAWN BY: SCHMIDGALL	CHK'D BY: CAB
APP'D BY: CAB	SCALE: 4 : 1

▽ = 0	▼ = 0	REVISE ONLY ON CAD SYSTEM	
TITLE: LFH, .075 PITCH, 96 CKT., VERTICAL I/O PLUG CONNECTOR FOR CABLE (SALES DRAWING)			
MOLEX INCORPORATED		SHEET NO. 2	DATE 04/21/93
L15LE.ILL. 60532 U.S.A.			
PART NO. SEE CHART		DRWG. NO. SDA-70665-2001	
FILE NAME S070665009.DGN		DIV. CPP	
THIS DRAWING CONTAINS INFORMATION THAT IS PROPRIETARY TO MOLEX INC. AND SHOULD NOT BE USED WITHOUT WRITTEN PERMISSION.			