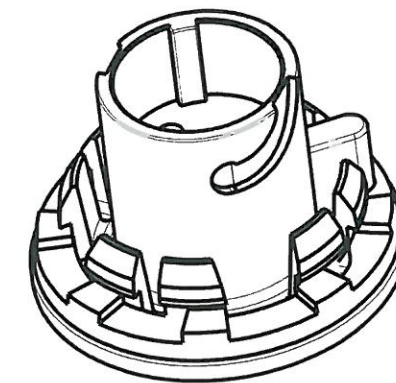
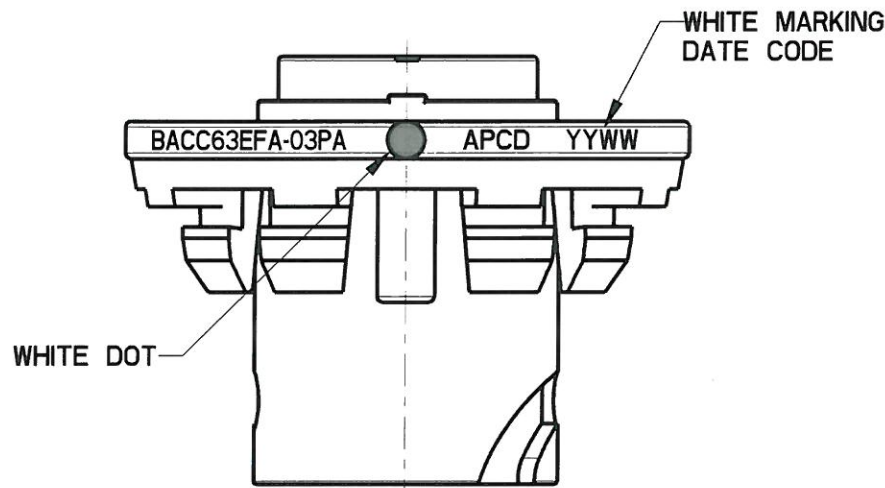
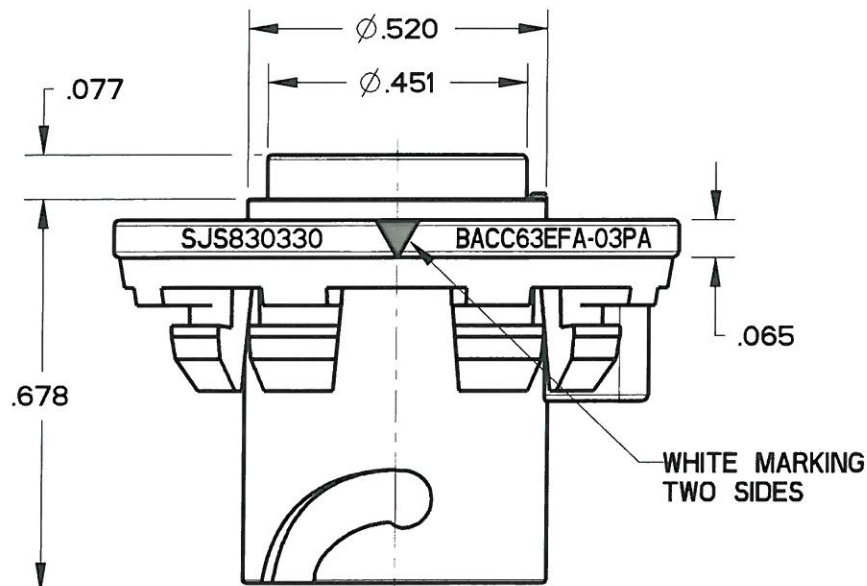
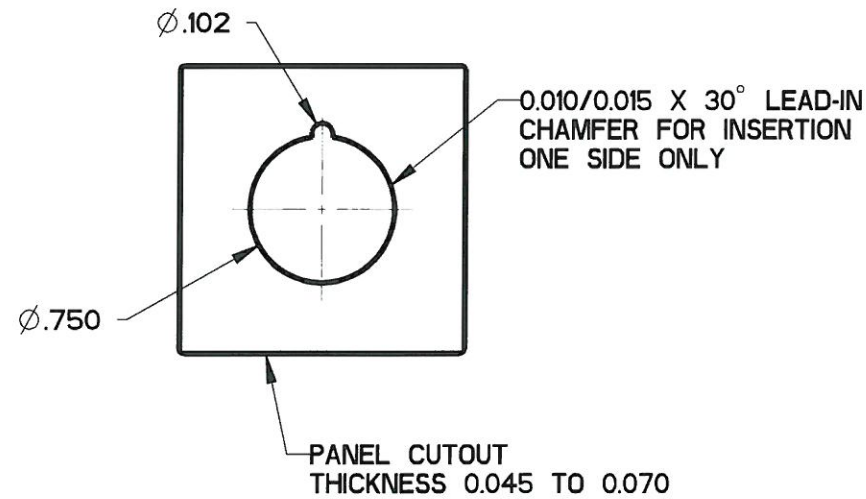
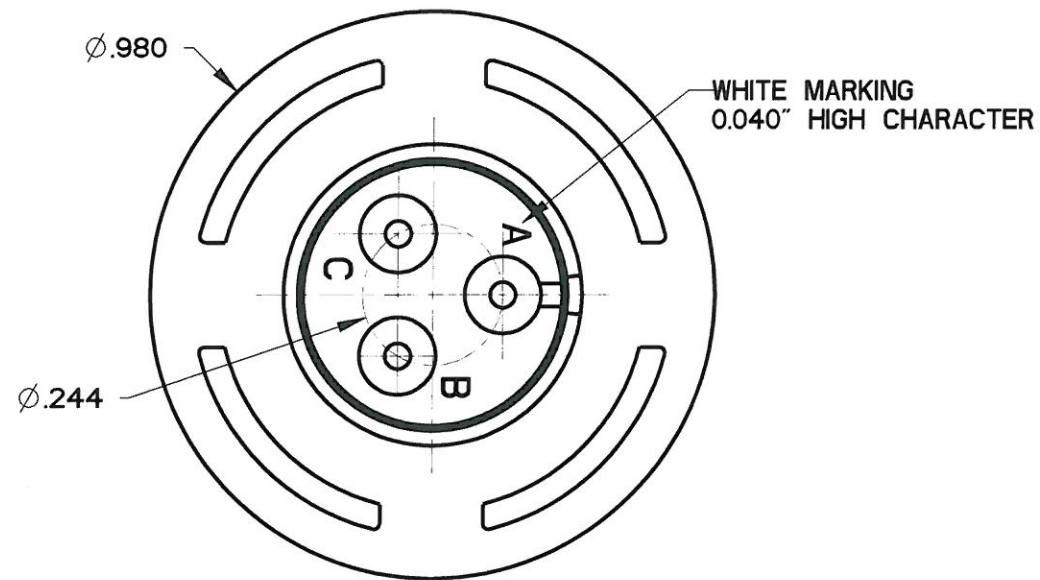


REV	ECN	APP'D
A	6351	JT 09/11/09
B	6473	JT 2/8/10
C	6573	JT 8/30/10



SCALE 2:1

- NOTES:
- MATERIALS:
HOUSING: PA6/6
CONTACT RETAINER: STAINLESS STEEL
GROMMET: SILICONE RUBBER PER A-A-59588
 - MATING CONTACT: SEE TABLE I
 - TEST SPECIFICATION: BACC63EF
 - PART MATES WITH SJS830340
 - WEIGHT: 3.3 GRAMS
 - SUPPLIED WITH DUST CAP

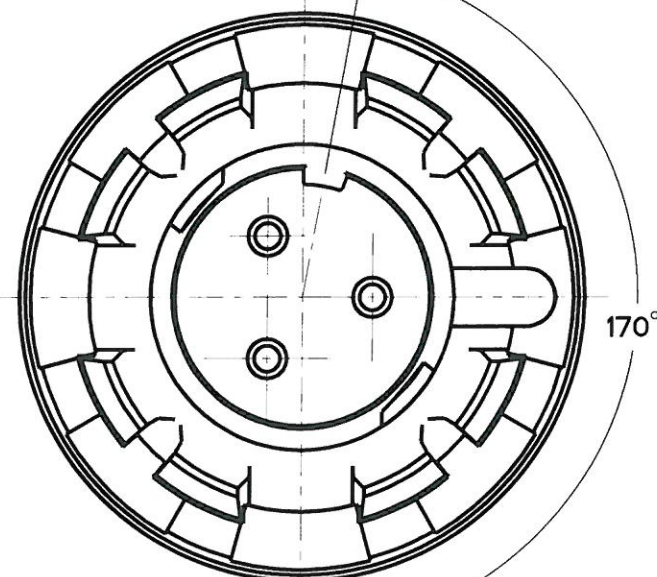


TABLE I

APCD P/N	BOEING P/N	P/N MARKING(S)	CONTACTS SUPPLIED
SJS830330	BACC63EFA-03PAH	BACC63EFA-03PA	NONE
SJS830331	BACC63EFA-03PA	SJS830330	(3) M39029/58-364

DIMENSIONS	TOLERANCES	PROJECTION	TITLE		
ANSI Y14.5M UNITS: INCHES Pro/E FILE	.XX ± 0.01 .XXX ± 0.005 ANGLES $\pm 1.0^\circ$		Amphenol Pcd SPECIFICATION DRAWING ENGR Frank.Li 02-Mar-09		
ORIGINAL	THIS DOCUMENT CONTAINS PROPRIETARY INFORMATION WHICH IS THE CONFIDENTIAL PROPERTY OF AMPHENOL PCD INC., BEVERLY, MA	CHKD 8/30/10 APPD 8/30/10	SIZE B	DWG NO. SJS830330_CE	REV C
		CODE: 58982	SCALE: 3:1	SHEET 1 OF 1	

SJS830330

SJS830330