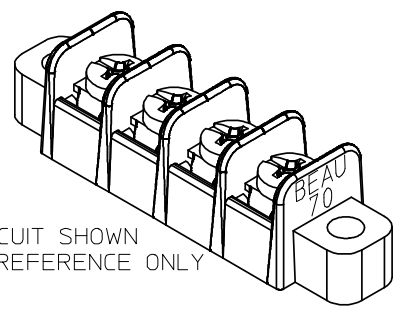
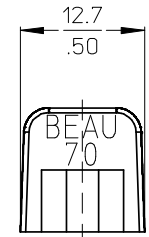
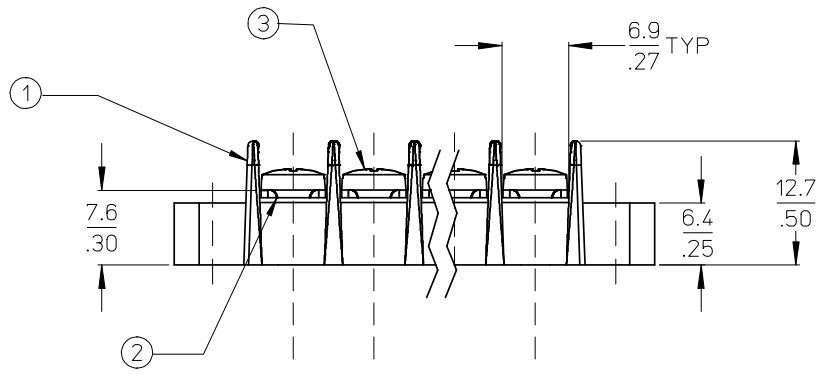


REF. -50 OPT. SCREW
(WHERE APPLICABLE)



4 CIRCUIT SHOWN
FOR REFERENCE ONLY



- NOTES:
1. MATERIAL: SEE TABLE.
 2. FINISHES: SEE TABLE.
 3. PRODUCT SPECIFICATION: NOT REQUIRED.
 4. "XX" REFERS TO THE NUMBER OF CIRCUITS.
 5. ROHS COMPLIANT.

ITEM	QTY.	DESCRIPTION	MATERIAL	FINISH
4	"XX"	SCREW, #6-32, PAN HD, PH-SL, W/SQ WSHR (-50 OPT)	STEEL	ZN, CLEAR CHROMATE
3	"XX"	SCREW, #6-32, PAN HD, PH-SL, BR/STEEL (STD)	STEEL	ZN, CLEAR CHROMATE
2	"XX"	TERM CB 6C SN/B	BRASS	TIN PLATE
1	1	SR BARRIER TS CB 12 MOMTG	POLYESTER (PBT)	BLACK

INITIAL RELEASE
EC NO: WNA2008-0402
DRWN: ENC INAS 2008/07/28
CHKD: CYORK 2008/08/15
APPR: JMACNEIL 2008/08/15

QUALITY SYMBOLS
▽=0
▽=0

	GENERAL TOLERANCES (UNLESS SPECIFIED)	
	mm	INCH
4 PLACES	± ---	± ---
3 PLACES	± ---	± .005
2 PLACES	± 0.13	± .01
1 PLACE	± 0.3	± ---
ANGULAR ± 2 °		

DIMENSION STYLE	
MM/IN	
DRAWN BY	DATE
JENCINAS	2008/07/04
CHECKED BY	DATE
CYORK	2008/07/07
APPROVED BY	DATE
JMACNEIL	2008/07/07

SCALE	DESIGN UNITS	THIRD ANGLE PROJECTION
2:1	INCH	
TITLE		
8.26/.325 SR CB BTS WITH MOUNTING ENDS		
MATERIAL NO.		SHEET NO.
SEE SHEET 2		1 OF 2
DOCUMENT NO.		
SD-38700-008		

THIS DRAWING CONTAINS INFORMATION THAT IS PROPRIETARY TO MOLEX INCORPORATED AND SHOULD NOT BE USED WITHOUT WRITTEN PERMISSION

QTY CKTS	DIM "A"		DIM "B"		DIM "C"		STANDARD MATERIAL #	OPT. -50 MATERIAL #
	MM	INCH	MM	INCH	MM	INCH		
2	32.8	1.29	24.77	0.975	18.5	0.73	387000102	387001302
3	40.9	1.61	33.02	1.300	26.9	1.06	387000103	387001303
4	49.3	1.94	41.28	1.625	35.1	1.38	387000104	387001304
5	57.4	2.26	49.53	1.950	43.2	1.70	387000105	387001305
6	65.8	2.59	57.79	2.275	51.2	2.03	387000106	387001306
7	73.9	2.91	66.04	2.600	59.7	2.35	387000107	387001307
8	82.3	3.24	74.30	2.925	68.1	2.68	387000108	387001308
9	90.4	3.56	82.55	3.250	76.2	3.00	387000109	387001309
10	98.8	3.89	90.81	3.575	84.6	3.33	387000110	387001310
11	106.9	4.21	99.06	3.900	92.7	3.65	387000111	387001311
12	115.2	4.54	107.32	4.225	101.1	3.98	387000112	387001312
13	123.4	4.86	115.57	4.550	109.3	4.30	387000113	387001313
14	131.7	5.19	123.83	4.875	117.6	4.63	387000114	387001314
15	140.0	5.51	132.08	5.200	125.9	4.95	387000115	387001315
16	148.2	5.84	140.34	5.525	134.1	5.28	387000116	387001316
17	156.5	6.16	148.59	5.850	142.4	5.60	387000117	387001317
18	164.7	6.49	156.85	6.175	150.6	5.93	387000118	387001318
19	173.0	6.81	165.10	6.500	158.9	6.25	387000119	387001319
20	181.2	7.14	173.36	6.825	167.1	6.58	387000120	387001320
21	189.5	7.46	181.61	7.150	175.4	6.90	387000121	387001321
22	197.7	7.79	189.87	7.475	183.6	7.23	387000122	387001322
23	206.0	8.11	198.12	7.800	191.9	7.55	387000123	387001323
24	214.2	8.44	206.38	8.125	200.1	7.88	387000124	387001324
25	222.5	8.76	214.63	8.450	208.4	8.20	387000125	387001325

SEE SHEET ONE EC NO: WNA2008-0402 DRAWN: JENCINAS 2008/07/28 CHKD: CYORK 2008/08/15 APPR: JMACNEIL 2008/08/15	QUALITY SYMBOLS ▽=0 ▽=0	GENERAL TOLERANCES (UNLESS SPECIFIED)		DIMENSION STYLE MM/IN	SCALE 2:1	DESIGN UNITS INCH	THIRD ANGLE PROJECTION	
		4 PLACES ± --- ± --- 3 PLACES ± --- ± .005 2 PLACES ± 0.13 ± .01 1 PLACE ± 0.3 ± ---	mm INCH	DRAWN BY DATE JENCINAS 2008/07/04	TITLE 8.26/.325 SR CB BTS WITH MOUNTING ENDS			
		ANGULAR ± 2°	DRAFT WHERE APPLICABLE MUST REMAIN WITHIN DIMENSIONS	CHECKED BY DATE CYORK 2008/07/07	MOLEX INCORPORATED			
		MATERIAL NO. SEE CHART	DOCUMENT NO. SD-38700-008	APPROVED BY DATE JMACNEIL 2008/07/07	SHEET NO. 2 OF 2			