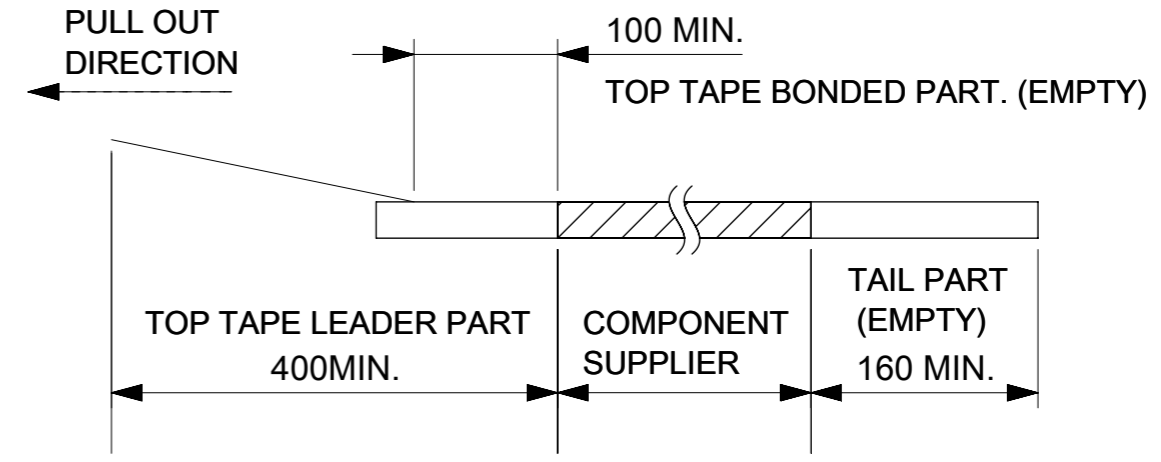
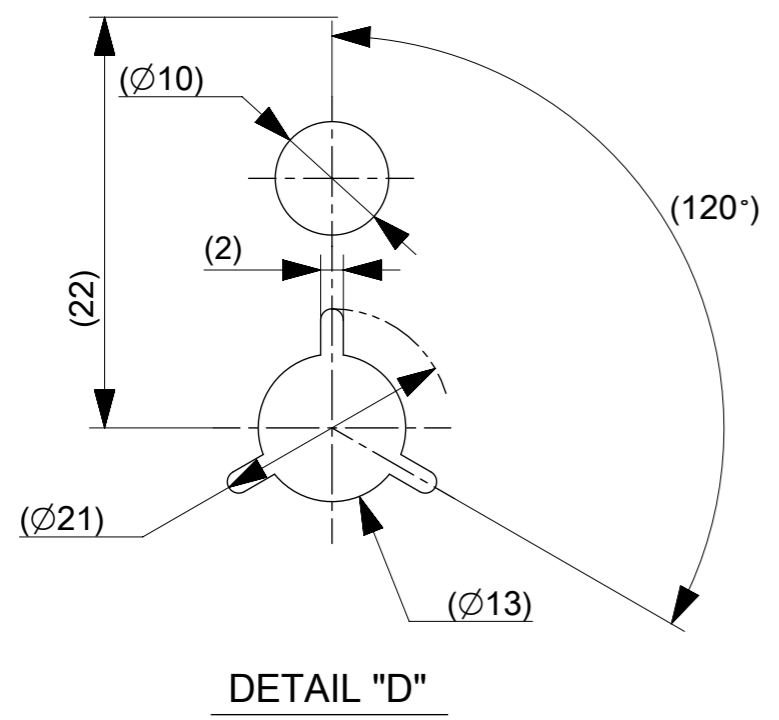


NOTES

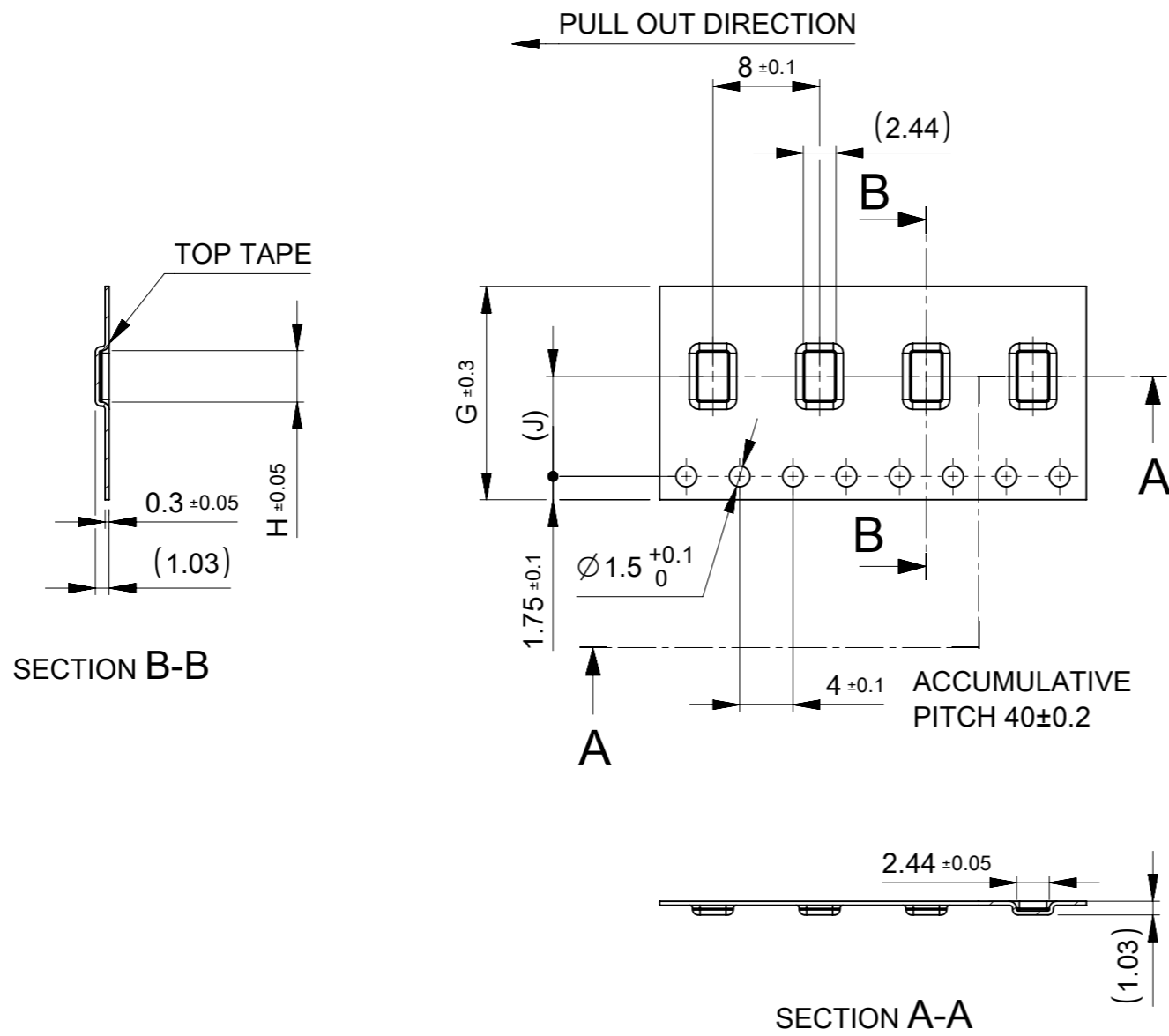
- 1. RE DETAILED DIMENSION, SEE PRODUCT DRAWING.
- 2. NUMBER OF CONNECTORS : 11000PCS/REEL
- 3. LEAD TAPE LENGTH.



- 4. PEELING OFF FORCE OF THE TOP TAPE IS DEFINED BY IEC60286-3.
- 5. MATERIAL
CARRIER TAPE : POLYSTYRENE OR PET
TOP TAPE : PET , OTHER
REEL : POLYSTYRENE (PS) < RECYCLE MATERIAL CONTAINED >
- △6 CONFORM TO 2188779200-SPK/PS/200 FOR PACKAGING SPECIFICATION.
- △7 CONFORM TO 2188779200-SPK/PS/201 FOR PACKAGING SPECIFICATION.



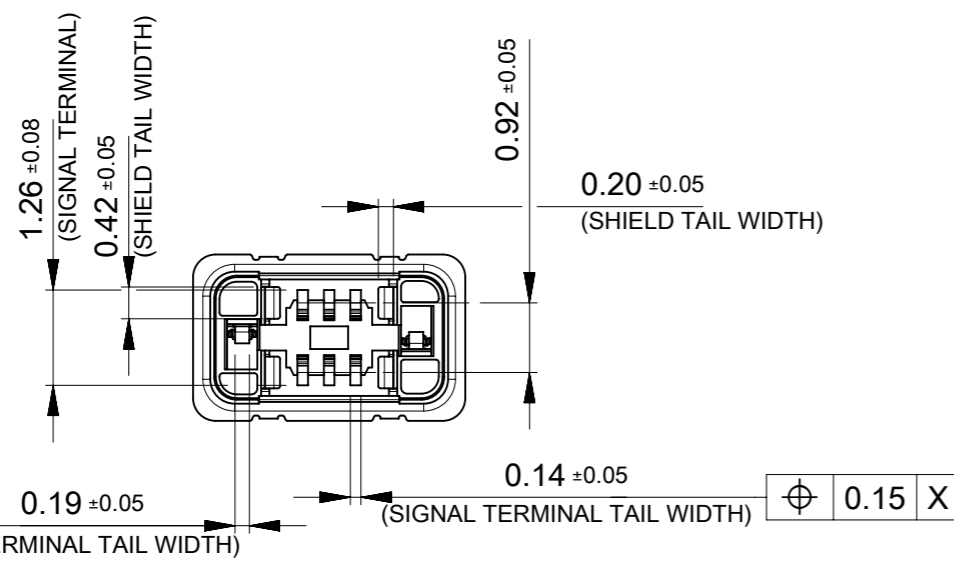
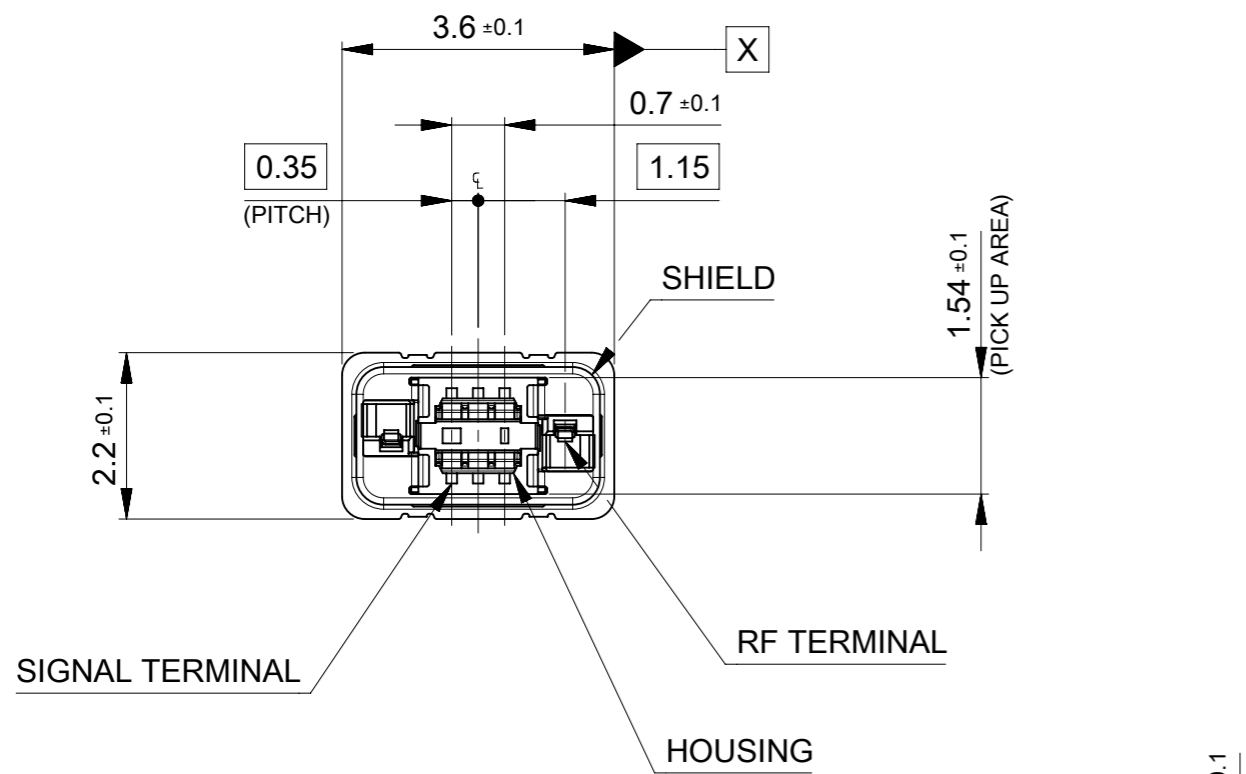
THIS DRAWING CONTAINS INFORMATION THAT IS PROPRIETARY TO MOLEX ELECTRONIC TECHNOLOGIES, LLC AND SHOULD NOT BE USED WITHOUT WRITTEN PERMISSION										
DIMENSION UNITS	SCALE	CURRENT REV DESC:					molex			
mm	1:1									
GENERAL TOLERANCES (UNLESS SPECIFIED)							5G25 PLUG EMBOSS PACKAGE			
ANGULAR TOL ± °							PRODUCT CUSTOMER DRAWING			
4 PLACES	±	EC NO: 732080				DOCUMENT NUMBER				
3 PLACES	±	DRWN: RAJMOK	2022/12/02			2188770000-SD				
2 PLACES	±	CHK'D: YNUKANOBU	2022/12/15			DOC TYPE DOC PART REVISION				
1 PLACE	±	APPR: YNAITO	2022/12/19			PSD 000 B				
0 PLACES	±	INITIAL REVISION:								
DRAFT WHERE APPLICABLE MUST REMAIN WITHIN DIMENSIONS		THIRD ANGLE PROJECTION	DRAWING	SERIES	MATERIAL NUMBER	CUSTOMER	SHEET NUMBER			
			A3-SIZE	218877	SEE SHEET-2	GENERAL	1 OF 2			



2188770064	2188770062	7.5	3.84	16	21.4	17.4	○	---	6
ORDER NO.	ORDER NO.	J	H	G	F	E	HIGH VOL. TOOL	LOW VOL. TOOL	Ckt.
PACKAGING SPEC: \triangle_7	PACKAGING SPEC: \triangle_6						SAMPLE PREPARATION ○ : TOOLED △ : WORK IN PROCESS --- : TOOLING TO BE CONFIRMED		

CONNECTOR SERIES No. 218877****

THIS DRAWING CONTAINS INFORMATION THAT IS PROPRIETARY TO MOLEX ELECTRONIC TECHNOLOGIES, LLC AND SHOULD NOT BE USED WITHOUT WRITTEN PERMISSION		CURRENT REV DESC:		molex	
DIMENSION UNITS mm	SCALE 2:1	EC NO: 732080 DRWN: RAJMOK 2022/12/02 CHK'D: YNUKANOBU 2022/12/15 APPR: YNAITO 2022/12/19			
GENERAL TOLERANCES (UNLESS SPECIFIED)		INITIAL REVISION:		5G25 PLUG EMBOSS PACKAGE	
ANGULAR TOL	± °	DRWN: NKONDO 2021/11/09 APPR: KSASAKI 2022/09/14		PRODUCT CUSTOMER DRAWING	
4 PLACES	±	DOCUMENT NUMBER		2188770000-SD	PSD
3 PLACES	±	DOC TYPE		000	B
2 PLACES	±	DOC PART		REVISION	
1 PLACE	±	MATERIAL NUMBER		SEE TABLE	GENERAL
0 PLACES	±	CUSTOMER		2 OF 2	
DRAFT WHERE APPLICABLE MUST REMAIN WITHIN DIMENSIONS		THIRD ANGLE PROJECTION	DRAWING	SERIES	SHEET NUMBER
			A3-SIZE	218877	2 OF 2

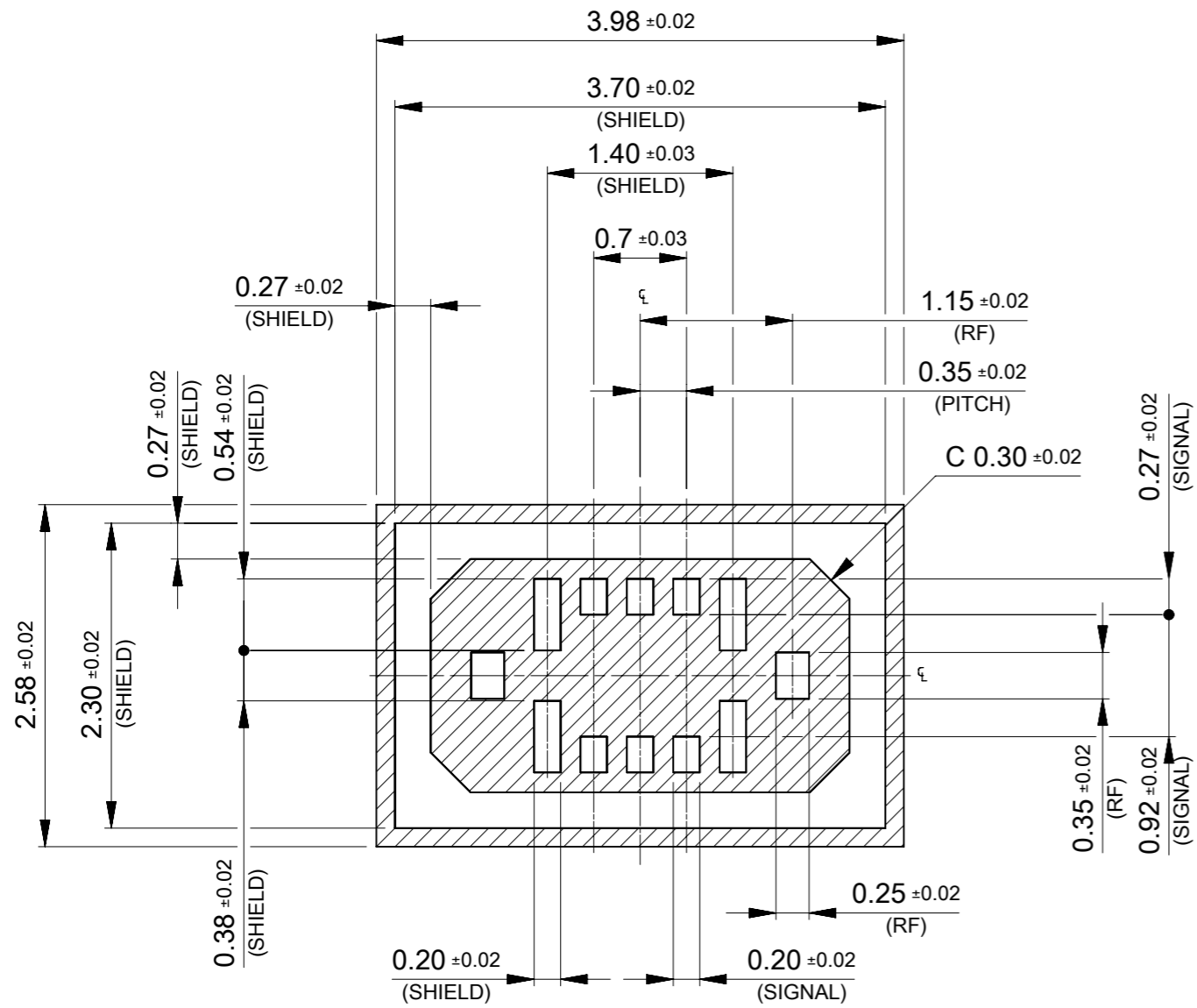


NOTES

1. MATERIAL
 HOUSING : LIQUID CRYSTAL POLYMER UL94V-0(COLOR : BLACK)
 SIGNAL TERMINAL : COPPER ALLOY
 RF TERMINAL : COPPER ALLOY
 SHIELD : COPPER ALLOY
2. PLATING
 SIGNAL TERMINAL
 CONTACT AREA : GOLD
 TAIL AREA : GOLD
 UNDER : NICKEL
 RF TERMINAL
 CONTACT AREA : GOLD
 TAIL AREA : GOLD
 UNDER : NICKEL
 SHIELD
 TAIL AREA : NICKEL (SOLDERABLE)
3. MATE WITH :2188760062
4. COPLANARITY TO BE 0.08MAXIMUM.
- △5 CONFORM TO 2188779200-SPK/PS/200 FOR PACKAGING SPECIFICATION.
- △6 CONFORM TO 2188779200-SPK/PS/201 FOR PACKAGING SPECIFICATION.

2188770064	2188770062	○	---	6
EMBOSED TAPE PACKAGE	EMBOSED TAPE PACKAGE	HIGH VOL. TOOL	LOW VOL. TOOL	SIGNAL CIRCUIT
ORDER No.	ORDER No.	SAMPLE PREPARATION ○ : TOOLED △ : WORK IN PROCESS --- : TOOLING TO BE CONFIRMED		
PACKAGING SPEC: △6	PACKAGING SPEC: △5			

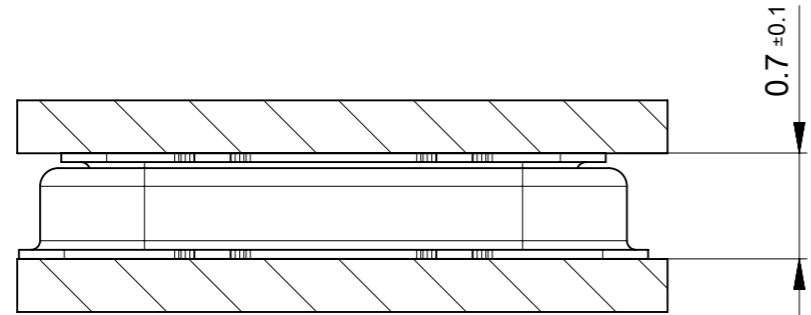
THIS DRAWING CONTAINS INFORMATION THAT IS PROPRIETARY TO MOLEX ELECTRONIC TECHNOLOGIES, LLC AND SHOULD NOT BE USED WITHOUT WRITTEN PERMISSION									
DIMENSION UNITS mm	SCALE 10:1	CURRENT REV DESC:							
GENERAL TOLERANCES (UNLESS SPECIFIED)		EC NO: 732080							
ANGULAR TOL ± 3.0 °	4 PLACES ± 0.03	DRWN: RAJMOK 2022/12/07			5G25 PLUG ASSY				
3 PLACES ± 0.03	2 PLACES ± 0.05	CHK'D: YNUKANOBU 2022/12/15							
1 PLACE ± 0.1	0 PLACES ± 0.2	APPR: YNAITO 2022/12/19			PRODUCT CUSTOMER DRAWING				
DRAFT WHERE APPLICABLE MUST REMAIN WITHIN DIMENSIONS		INITIAL REVISION:							
THIRD ANGLE PROJECTION		DRWN: NKONDO 2021/11/09			DOCUMENT NUMBER		DOC TYPE	DOC PART	REVISION
DRAWING A3-SIZE		APPR: KSASAKI 2022/09/14			2188771000-SD		PSD	000	B
SERIES 218877		MATERIAL NUMBER			CUSTOMER		SHEET NUMBER		
		SEE TABLE			GENERAL		1 OF 2		



P.W. BOARD PATTERN LAYOUT

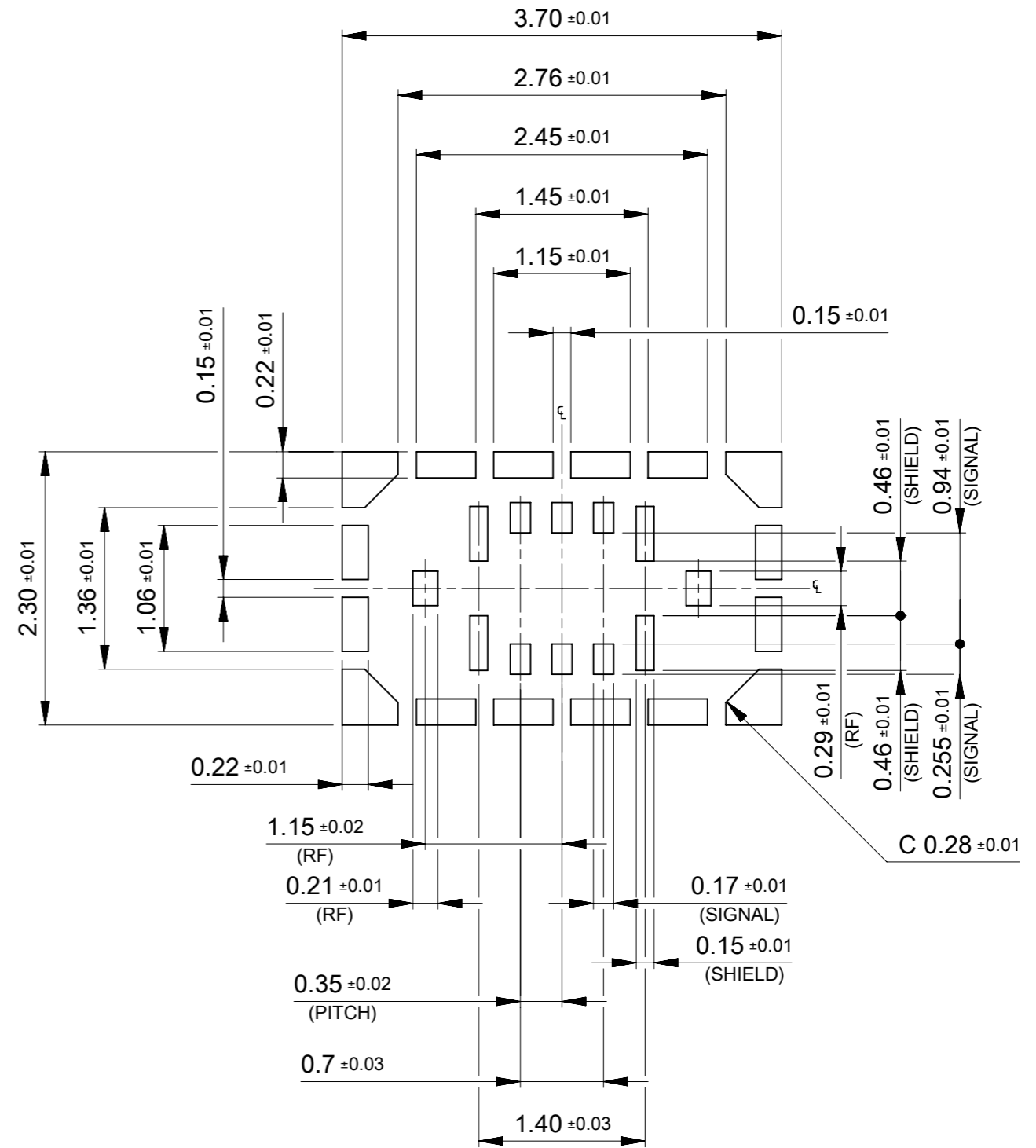


SOLDERING PROHIBITED AREA
 WHEN WIRING IS LOCATED, THE WIRING MUST BE MASKED
 BY COVER LAY OR RESIST FILM.



MATED CONDITION

THIS DIMENSION SHOW A DIMENSION BETWEEN THE TAIL TO TAIL.



METAL MASK LAYOUT

THICKNESS OF METAL MASK : t=0.08mm

THIS DRAWING CONTAINS INFORMATION THAT IS PROPRIETARY TO MOLEX ELECTRONIC TECHNOLOGIES, LLC AND SHOULD NOT BE USED WITHOUT WRITTEN PERMISSION									
DIMENSION UNITS	SCALE	CURRENT REV DESC:							
mm	20:1	<div style="text-align: center;">molex</div> <p>5G25 PLUG ASSY</p> <p>PRODUCT CUSTOMER DRAWING</p>							
GENERAL TOLERANCES (UNLESS SPECIFIED)									
ANGULAR TOL	± 3.0 °								
4 PLACES	± 0.03								
3 PLACES	± 0.03								
2 PLACES	± 0.05								
1 PLACE	± 0.1	EC NO: 732080	DRWN: RAJMOK	2022/12/07	<div style="text-align: center;">2188771000-SD</div>				
0 PLACES	± 0.2	CHK'D: YNUKANOBU	2022/12/15	APPR: YNAITO					2022/12/19
DRAFT WHERE APPLICABLE MUST REMAIN WITHIN DIMENSIONS		INITIAL REVISION:		DOCUMENT NUMBER		DOC TYPE	DOC PART	REVISION	
THIRD ANGLE PROJECTION		DRAWING		SERIES		MATERIAL NUMBER		CUSTOMER	
		A3-SIZE		218877		SEE SHEET-1		GENERAL	
SHEET NUMBER		2 OF 2							